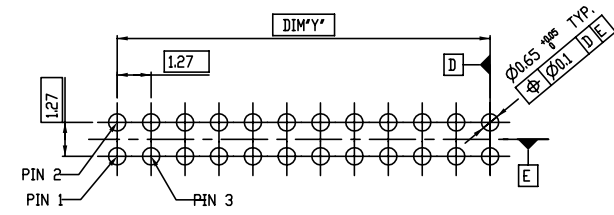
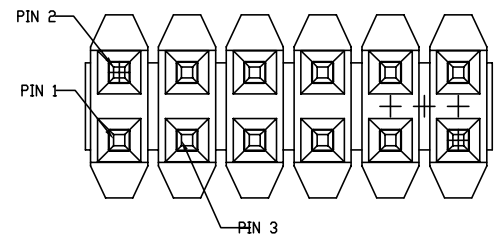
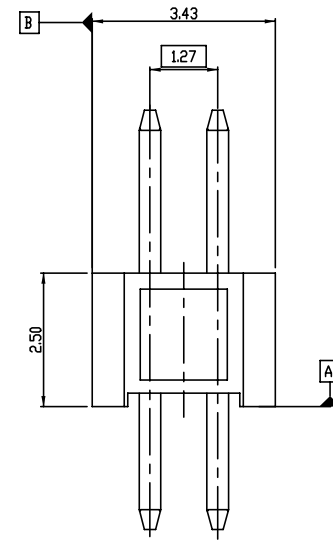
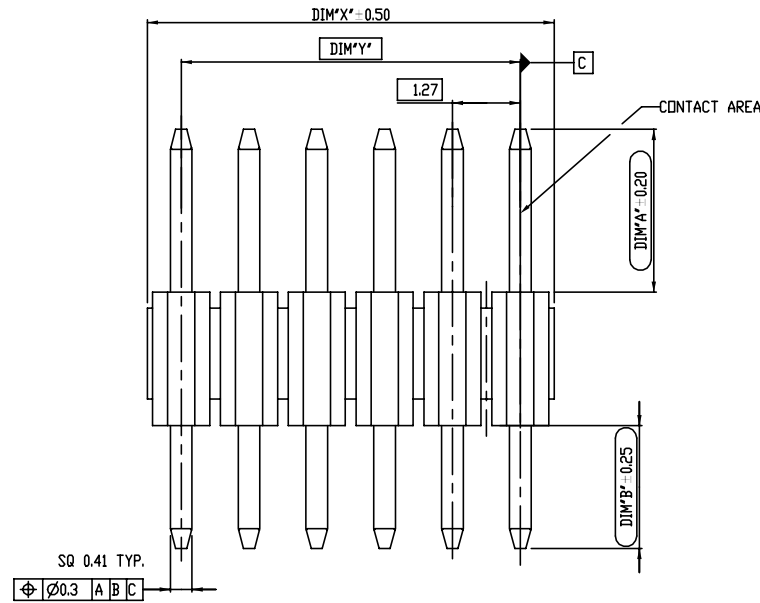


PART NO.  
20021111



RECOMMENDED PCB LAYOUT  
SCALE 5.000

- NOTES:  
 1.MATERIAL:  
 HOUSING: HIGH TEMPERATURE THERMOPLASTIC, UL94-V0 BLACK.  
 TERMINAL: COPPER ALLOY  
 2.THE HOUSING WILL WITHSTAND EXPOSURE TO 260-C PEAK TEMPERATURE FOR 10 SECONDS IN A WAVE SOLDER OR VAPOR PHASE REFLOW OVEN.  
 3.THIS PRODUCT MEETS EUROPEAN UNION DIRECTIVES AND OTHER COUNTRY REGULATIONS AS DESCRIBED IN GS-22-008.  
 4.PRODUCT SPEC: GS-12-629  
 5.PACKAGE SPEC: GS-14-1420



Copyright FCI.

spec ref		dr	ZK HU	2012-9-28	projection	MM	size	A3	scale	10.000
tolerance std		eng	ZK HU	2012-9-28					ecn no ELX-N-14366	
TOLERANCES UNLESS OTHERWISE SPECIFIED		chr	RICK BIAN	2012-9-28	rel level				RELEASED	
		appr	RICK BIAN	2012-9-28	product family					
surface	✓	linear	0.X	± 0.30		title MINITEK 127 UNSHROUDED HDR VT TH	dwg no 20021111	rev D		
			0.XX	± 0.20						
			0.XXX	± 0.10						
		angular	0~	± 2°	www.fci.com	cat. no.	Product - Customer Drw	sheet 1 of 2		

PART NO.	PDS.	DIM'X'	DIM'Y'
20021111-XXX06XXLF	2 X 3	3.81	2.54
20021111-XXX08XXLF	2 X 4	5.08	3.81
20021111-XXX10XXLF	2 X 5	6.35	5.08
20021111-XXX12XXLF	2 X 6	7.62	6.35
20021111-XXX14XXLF	2 X 7	8.89	7.62
20021111-XXX16XXLF	2 X 8	10.16	8.89
20021111-XXX18XXLF	2 X 9	11.43	10.16
20021111-XXX20XXLF	2 X 10	12.70	11.43
20021111-XXX22XXLF	2 X 11	13.97	12.70
20021111-XXX24XXLF	2 X 12	15.24	13.97
20021111-XXX26XXLF	2 X 13	16.51	15.24
20021111-XXX28XXLF	2 X 14	17.78	16.51
20021111-XXX30XXLF	2 X 15	19.05	17.78
20021111-XXX32XXLF	2 X 16	20.32	19.05
20021111-XXX34XXLF	2 X 17	21.59	20.32
20021111-XXX36XXLF	2 X 18	22.86	21.59
20021111-XXX38XXLF	2 X 19	24.13	22.86
20021111-XXX40XXLF	2 X 20	25.40	24.13
20021111-XXX42XXLF	2 X 21	26.67	25.40
20021111-XXX44XXLF	2 X 22	27.94	26.67
20021111-XXX46XXLF	2 X 23	29.21	27.94
20021111-XXX48XXLF	2 X 24	30.48	29.21
20021111-XXX50XXLF	2 X 25	31.75	30.48
20021111-XXX52XXLF	2 X 26	33.02	31.75
20021111-XXX54XXLF	2 X 27	34.29	33.02
20021111-XXX56XXLF	2 X 28	35.56	34.29
20021111-XXX58XXLF	2 X 29	36.83	35.56
20021111-XXX60XXLF	2 X 30	38.10	36.83
20021111-XXX62XXLF	2 X 31	39.37	38.10
20021111-XXX64XXLF	2 X 32	40.64	39.37
20021111-XXX66XXLF	2 X 33	41.91	40.64
20021111-XXX68XXLF	2 X 34	43.18	41.91
20021111-XXX70XXLF	2 X 35	44.45	43.18
20021111-XXX72XXLF	2 X 36	45.72	44.45
20021111-XXX74XXLF	2 X 37	46.99	45.72
20021111-XXX76XXLF	2 X 38	48.26	46.99
20021111-XXX78XXLF	2 X 39	49.53	48.26
20021111-XXX80XXLF	2 X 40	50.80	49.53
20021111-XXX82XXLF	2 X 41	52.07	50.80
20021111-XXX84XXLF	2 X 42	53.34	52.07
20021111-XXX86XXLF	2 X 43	54.61	53.34
20021111-XXX88XXLF	2 X 44	55.88	54.61
20021111-XXX90XXLF	2 X 45	57.15	55.88

PART NO.	PDS.	DIM'X'	DIM'Y'
20021111-XXX92XXLF	2 X 46	58.42	57.15
20021111-XXX94XXLF	2 X 47	59.69	58.42
20021111-XXX96XXLF	2 X 48	60.96	59.69
20021111-XXX98XXLF	2 X 49	62.23	60.96
20021111-XXXA0XXLF	2 X 50	63.50	62.23

20021111 - X X X X X X L F

- LEAD FREE
- PLATING OPTIONAL
- 1: GOLD FLASH AT CONTACT, 1.27um MIN. MATTE TIN AT TAIL
- 2: GOLD FLASH AT CONTACT, GOLD FLASH AT TAIL
- 4: 0.25um Au MIN. AT CONTACT, 1.27um MIN.MATTE TIN AT TAIL
- 5: 0.25um Au MIN. AT CONTACT, GOLD FLASH AT TAIL
- 6: 0.38um GXT MIN. AT CONTACT, 1.27um MIN.MATTE TIN AT TAIL
- 7: 0.38um GXT MIN. AT CONTACT, GOLD FLASH AT TAIL
- 8: 0.76um GXT MIN. AT CONTACT, 1.27um MIN.MATTE TIN AT TAIL
- 9: 0.76um GXT MIN. AT CONTACT, GOLD FLASH AT TAIL
- PACKING STYLE
- T: TUBE
- PIN NO. SEE TABLE
- MATING LENGTH(DIM'A')
- 0: 3.05MM
- TAIL LENGTH(DIM'B')
- 0: 2.30MM (FDR 1.6MM PCB)
- 1: 1.60MM (FDR 1.0MM PCB)
- 2: 2.70MM (FDR 2.0MM PCB)
- RESERVE CODE
- 0: STANDARD



Copyright FCI.

spec ref		dr	ZK HU	2012-9-28	projection	MM	size	A3	scale	10.000
tolerance std		eng	ZK HU	2012-9-28					ecn no ELX-N-14366	
TOLERANCES UNLESS OTHERWISE SPECIFIED		chr	RICK BIAN	2012-9-28	product family				rev	
		appr	RICK BIAN	2012-9-28	MINITEK 127 UNSHROUDED HDR VT TH		dwg no 20021111		sheet 2 of 2	
surface		linear	0.X	±0.30	www.fci.com cat. no.		Product - Customer Drw		STATUS:Released Printed: Mar 29, 2013	
			0.XX	±0.20						
			0.XXX	±0.10						
		angular	0~	±2'						

## X-ON Electronics

Largest Supplier of Electrical and Electronic Components

*Click to view similar products for [Headers & Wire Housings](#) category:*

*Click to view products by [FCT Electronics](#) manufacturer:*

Other Similar products are found below :

[95000-104TRLF](#) [10135584-644402LF](#) [DF62W-EP2022PCA](#) [95000-106TRLF](#) [DF62W-2022SCA](#) [DF62W-EP2022PC](#) [2203348](#) [DF62W-2022SC](#) [1084018](#) [1029039](#) [1084017](#) [802-10-012-10-002000](#) [1112640](#) [1112639](#) [891-007-9SS-BST1T](#) [000-34000](#) [0008550134](#) [0009482033](#) [0009507031](#) [57102-F02-18ULF](#) [57102-S06-03LF](#) [57202-S52-04LF](#) [PCN6-15S-2.5E](#) [0039019024](#) [58102-G61-06LF](#) [582553-1](#) [0009485154](#) [0009508121](#) [0022285053](#) [0050291907](#) [018731A](#) [LY20-4P-DT1-P1E-BR](#) [02.125.8002.8](#) [60101931](#) [60598-1 \(Cut Strip\)](#) [M1625-3R/100](#) [61062-3](#) [61082-181009](#) [CSU011177004](#) [636-1427](#) [638009-1](#) [641938-9](#) [641991-4](#) [644168-1](#) [644827-2](#) [647662-1](#) [65039-019ELF](#) [65692-001LF](#) [65781-018](#) [65781-047](#)