



PRODUCT NUMBER
20020618-MXXXXXLF

20020618-□ □ □ □ A 0 □ L F

PITCH
M: 7.62 mm

POLES
02: 2 POLES
03: 3 POLES
04: 4 POLES
16: 16 POLES

LF : DENOTED RoHS COMPATIBLE
1 : STANDARD PRODUCT
W/ BOX PACKING

HOUSING CODE

CODE	COLOR	AVAILABILITY
1	GREEN(RAL 6018/T)	STANDARD
2	BLACK	ON REQUEST ONLY
3	GREY(RAL 7004/P)	ON REQUEST ONLY
4	BLUE(RAL 5015/A)	ON REQUEST ONLY

PROPERTY TABLE	
FCI SERIES NAME	07-762
PITCH (mm)	7.62
VOLTAGE RATING (VAC)	300
CURRENT RATING (A)	32
WITHSTANDING VOLTAGE (kV)	1.6
OPERATING TEMP. (°C)	-40~+115
SOLDERING TEMP. (°C)	250±10 (5 sec.)
POLES AVAILABLE	02~16
SAFETY CERTIFICATE	

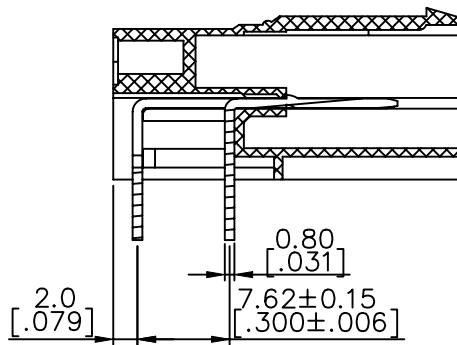
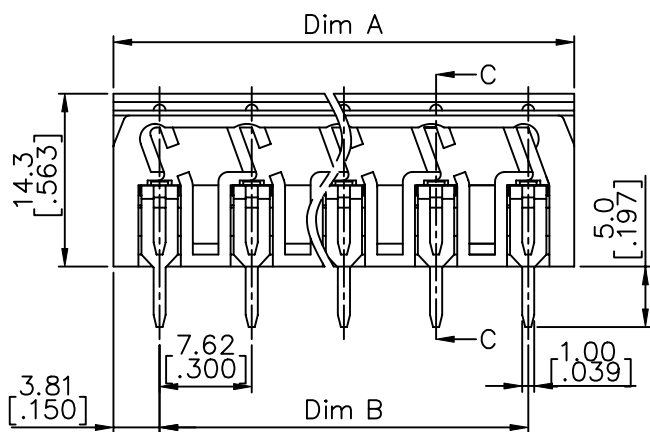
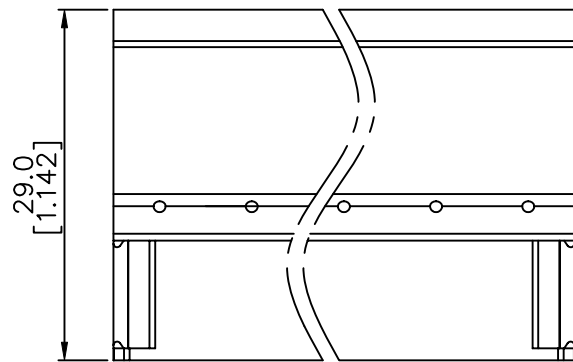
- NOTES:
 MATERIALS
 1-1 HOUSING: THERMALPLASTIC RESIN, UL 94V-0 RATED.
 1-2 TERMINAL: COPPER ALLOY, TIN PLATED.
 2. PRODUCTION SPECIFICATION REFER TO FCI GS-12-625.
 3. BOXED PACKAGING.
 DETAILED PRODUCT PACKING SPECIFICATION REFER TO FCI GS-14-1394.
 4. FCI, SAFETY CERTIFICATE LOGO AND SERIES NAME TO BE SHOWN ON PRODUCT SURFACE.
 5. THE PRODUCTS WHERE THE PART NUMBER END IN "LF" MEET THE EUROPEAN UNION DIRECTIVE AND OTHER COUNTRY REGULATIONS AS DESCRIBED IN GS-22-008.
 6. RECOMENDED SOLDERING PROCESS BY WAVE SOLDER.

mat'l. code				surface ASME Y14.5		tolerance ASME Y14.5		projection		product family	
ltr	ecn no	dr	date	tolerances unless otherwise specified		tolerances unless otherwise specified				TERMINAL BLOCK	
A	0609-0203	BF	062509	angles to file	X.±0.5[.020]	MM		title		TERMINAL BLOCK	
B	T09-1148	BF	111709		X.X±0.3[.012]	[INCH]		PLUGGABLE SOCKET, RIGHT ANGLE		sheet 1 of 2 size	
C	T10-0042	WL	030310		X*±1*	X.XX±0.1[.004]		scale		20020618 A4	
D	T10-0159	WL	100410	dr	BEER FU	062509				type CUSTOMER Drawing	
E	T10-0187	WL	121410	enr	BEER FU	062509					
F	T-004746	WL	072211	chr	GARY HSIEH	062509					
				appd	JOSEPH HSIA	062509					
sheet index	revision sheet	F 1	F 2								

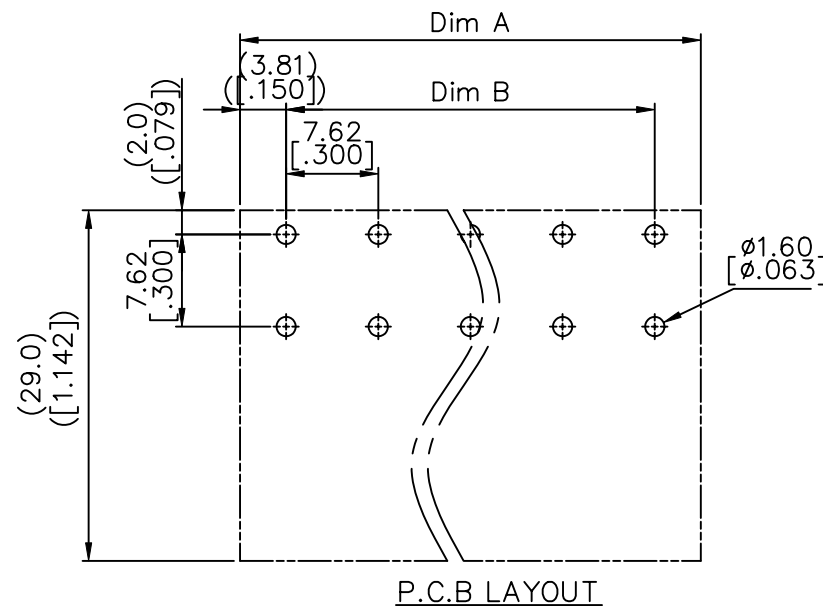
PRODUCT NUMBER	SERIES NAME	PITCH
20020618-MXXXXXXLF	07-762	7.62 mm

N = NUMBER OF POLES
 Dim A = $N \times 7.62$ [.300]
 Dim B = $(N-1) \times 7.62$ [.300]

Poles	Tol.	Dim A	Dim B
2-5p		± 0.20 [.008]	
6-10p		± 0.30 [.012]	
11-13p		± 0.35 [.014]	
14-16p		± 0.40 [.016]	



SECTION C-C



P.C.B LAYOUT

mat'l. code		surface ASME Y14.5 ✓	tolerance ASME Y14.5	projection ⊕	product family TERMINAL BLOCK											
ltr	ecn no dr	date		tolerances unless otherwise specified	title											
F				<table border="1"> <tr> <td>angles</td> <td>X. ±0.5 [.020]</td> </tr> <tr> <td>in</td> <td>X.X ±0.3 [.012]</td> </tr> <tr> <td>X°±1'</td> <td>X.XX ±0.1 [.004]</td> </tr> </table>	angles	X. ±0.5 [.020]	in	X.X ±0.3 [.012]	X°±1'	X.XX ±0.1 [.004]	<table border="1"> <tr> <td>MM</td> <td>→</td> </tr> <tr> <td>[INCH]</td> <td>←</td> </tr> </table>	MM	→	[INCH]	←	TERMINAL BLOCK PLUGABLE, SOCKET, POWER, R/A
angles	X. ±0.5 [.020]															
in	X.X ±0.3 [.012]															
X°±1'	X.XX ±0.1 [.004]															
MM	→															
[INCH]	←															
dr	BEER FU	062509		scale	dwg no											
enr	BEER FU	062509			sheet 2 of 2 size											
chr	GARY HSIEH	062509			20020618	A4										
appd	JOSEPH HSIA	062509			type	CUSTOMER Drawing										
sheet index	revision sheet															

X-ON Electronics

Largest Supplier of Electrical and Electronic Components

Click to view similar products for [Headers & Wire Housings](#) category:

Click to view products by [FCT Electronics](#) manufacturer:

Other Similar products are found below :

[95000-104TRLF](#) [10135584-644402LF](#) [DF62W-EP2022PCA](#) [95000-106TRLF](#) [DF62W-2022SCA](#) [DF62W-EP2022PC](#) [2203348](#) [DF62W-2022SC](#) [1084018](#) [1029039](#) [1084017](#) [802-10-012-10-002000](#) [1112640](#) [1112639](#) [891-007-9SS-BST1T](#) [000-34000](#) [0008550134](#) [0009482033](#) [0009507031](#) [57102-F02-18ULF](#) [57102-S06-03LF](#) [57202-S52-04LF](#) [PCN6-15S-2.5E](#) [0039019024](#) [58102-G61-06LF](#) [582553-1](#) [0009485154](#) [0009508121](#) [0022285053](#) [0050291907](#) [018731A](#) [LY20-4P-DT1-P1E-BR](#) [02.125.8002.8](#) [60101931](#) [60598-1 \(Cut Strip\)](#) [M1625-3R/100](#) [61062-3](#) [61082-181009](#) [CSU011177004](#) [636-1427](#) [638009-1](#) [641938-9](#) [641991-4](#) [644168-1](#) [644827-2](#) [647662-1](#) [65039-019ELF](#) [65692-001LF](#) [65781-018](#) [65781-047](#)