

PRODUCT NUMBER
20020108-XXXXXXLF

20020108 - □ □ □ □ A 0 □ LF

PITCH

C : 3.50 mm
D : 3.81 mm
G : 5.00 mm
H : 5.08 mm

POLES



02: 2 POLES
03: 3 POLES
04: 4 POLES

LF : DENOTED ROHS COMPATIBLE

1 : STANDARD PRODUCT
W/ BOX PACKING

24: 24 POLES

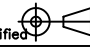
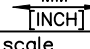

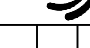

HOUSING CODE

PROPERTY TABLE					
FCI SERIES NAME	06-350	06-381	06-500	06-508	
PITCH (mm)	3.50	3.81	5.00	5.08	
VOLTAGE RATING (VAC)	300	300	300	300	
CURRENT RATING (A)	cULus	10	10	12	12
	VDE	10.5	10.5	NA	NA
WITHSTANDING VOLTAGE (kV)	cULus	1.6	1.6	1.6	1.6
	VDE	2.5	2.5	NA	NA
OPERATING TEMP. (°C)	-40~+115	-40~+115	-40~+115	-40~+115	
SOLDERING TEMP. (°C)	250±10	250±10	250±10	250±10	
	(5 sec.)	(5 sec.)	(5 sec.)	(5 sec.)	
POLES AVAILABLE	02~24	02~24	02~24	02~24	
SAFETY CERTIFICATE					

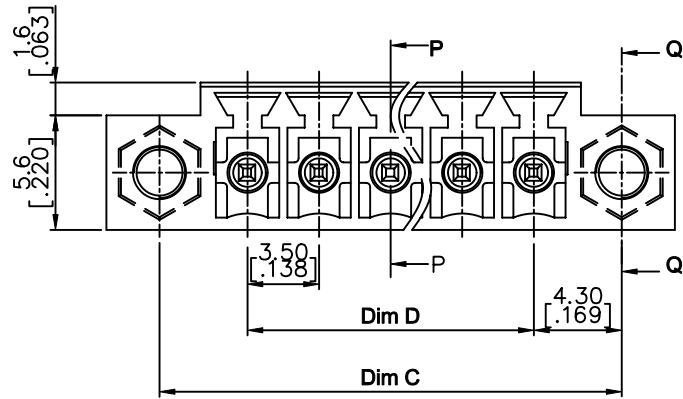
CODE	COLOR	AVAILABILITY
1	GREEN(RAL 6018/T)	STANDARD
2	BLACK	ON REQUEST ONLY
3	GREY(RAL 7004/P)	ON REQUEST ONLY
4	BLUE(RAL 5015/A)	ON REQUEST ONLY

NOTES:

- MATERIALS
1-1 HOUSING: THERMALPLASTIC RESIN, UL 94V-0 RATED.
1-2 TERMINAL: COPPER ALLOY, TIN PLATED.
- PRODUCT SPECIFICATION REFER TO FCI GS-12-625.
- BOXED PACKAGING,
DETAILED PRODUCT PACKING SPECIFICATION REFER TO FCI GS-14-1394.
- FCI, SAFETY CERTIFICATE LOGO AND SERIES NAME TO BE SHOWN ON PRODUCT SURFACE.
- THE PRODUCTS WHERE THE PART NUMBER END IN "LF" MEET THE EUROPEAN UNION DIRECTIVE AND OTHER COUNTRY REGULATIONS AS DESCRIBED IN GS-22-008.
- RECOMENDED SOLDERING PROCESS BY WAVE SOLDER.

mat'l. code		surface ASME Y14.5 ✓		tolerance ASME Y14.5		projection		product family	
litr		ecn no	dr	date		tolerances unless otherwise specified		TERMINAL BLOCK	
A	T10-0062	WL		050710				title	
B	T10-0155	WL		093010				TERMINAL BLOCK	
C	T10-0187	WL		121410				PLUGGABLE, SOCKET, SIGNAL, STRAIGHT	
D	T11-0019	WL		040611				W/FLANGE	
E	T-004860	WL		080411				dwg no	
sheet index		revision	E	E	E	E	E	20020108	
sheet		sheet	1	2	3	4	5	A4	
								type	
								CUSTOMER Drawing	

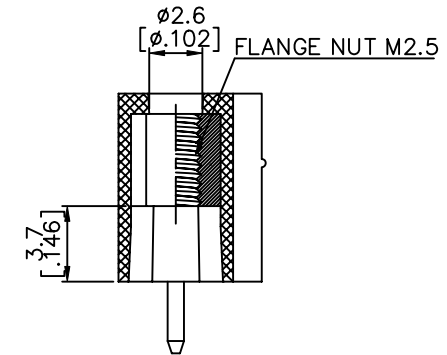
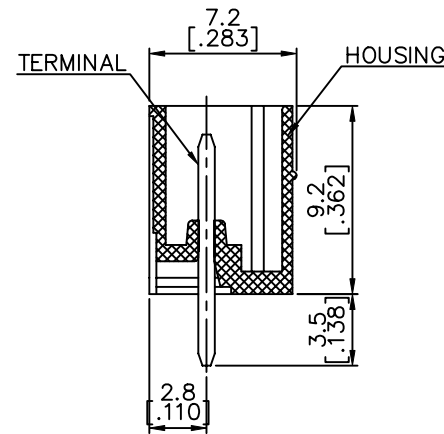
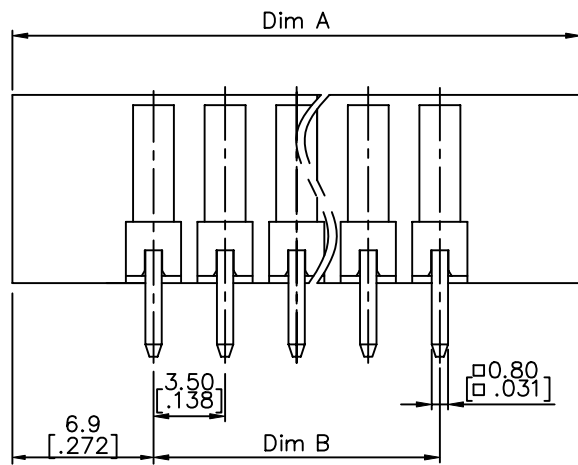
PRODUCT NUMBER	SERIES NAME	PITCH
20020108-CXXXXXXLF	06-350	3.50 mm



N= Number of poles

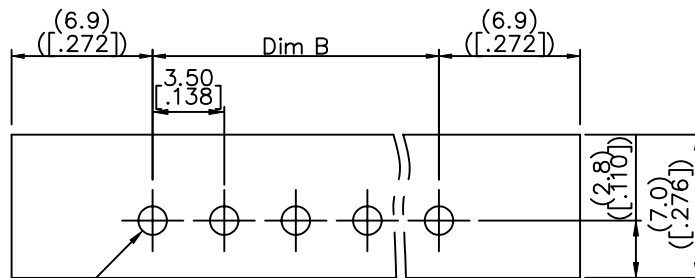
Dim A	$(N-1)*3.5[.138]+13.8[.543]$
Dim B	$(N-1)*3.5[.138]$
Dim C	$(N-1)*3.5[.138]+8.6[.339]$
Dim D	$(N-1)*3.5[.138]$

Poles	Tolerance
2p-6p	$\pm 0.15[.006]$
7p-12p	$\pm 0.20[.008]$
13p-16p	$\pm 0.25[.010]$
17p-24p	$\pm 0.30[.012]$



SECTION P-P

SECTION Q-Q



RECOMMENDED P.C.B LAYOUT

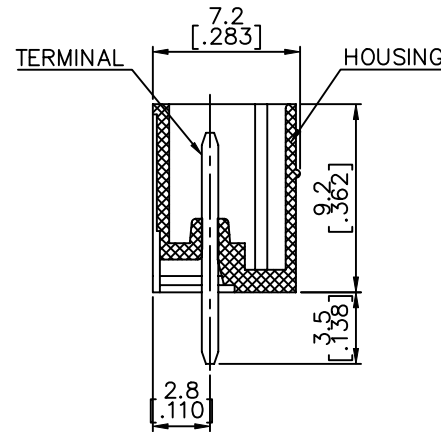
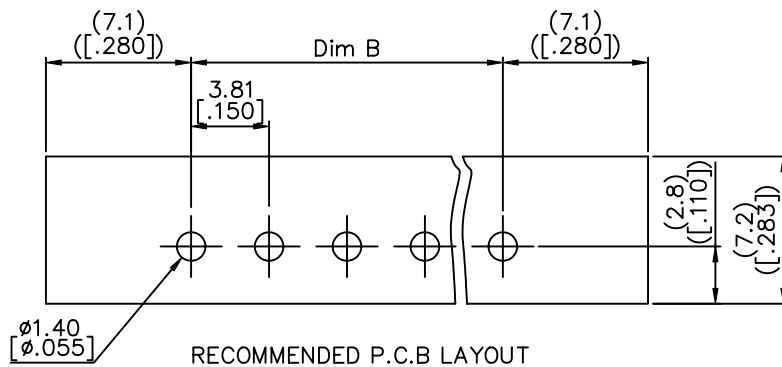
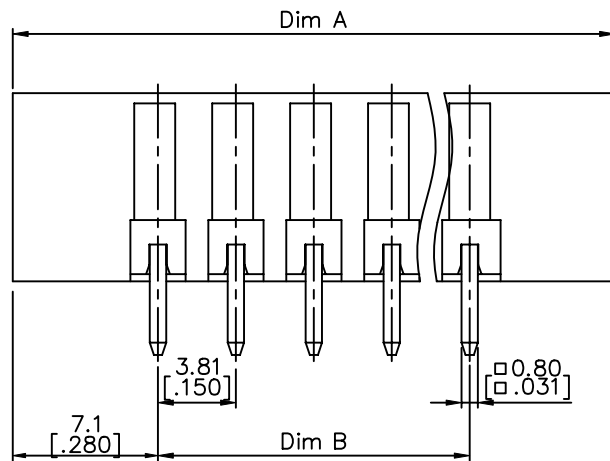
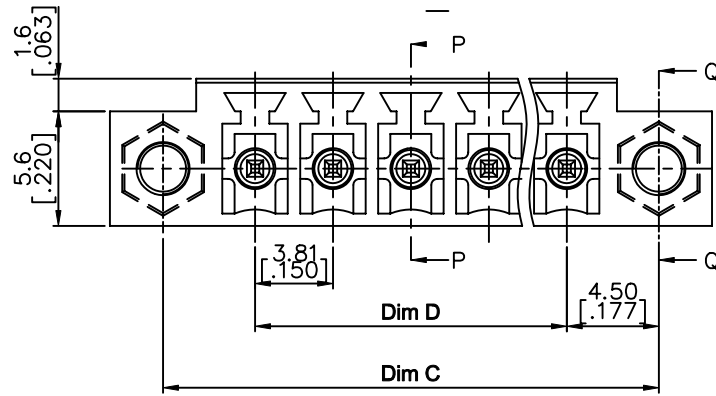
mat'l. code	surface ASME Y14.5	tolerance ASME Y14.5	projection MM INCH	product family TERMINAL BLOCK
ltr	ecn no	dr	date	title TERMINAL BLOCK PLUGGABLE, SOCKET, SIGNAL, STRAIGHT W/FLANGE
E				dwg no 20020108
	angles X±1°	int X.X±0.5[.020] X.X±0.3[.012] X.XX±0.1[.004]	scale	sheet 2 of 5 size A4
	dr	WENDY CHEN	042310	FCI type CUSTOMER Drawing
	enr	JASON HSU	042310	
	chr	GARY HSIEH	042310	
	appd	JOSEPH HSIA	042310	
sheet index	revision sheet			

PRODUCT NUMBER	SERIES NAME	PITCH
20020108-DXXXXXXLF	06-381	3.81 mm

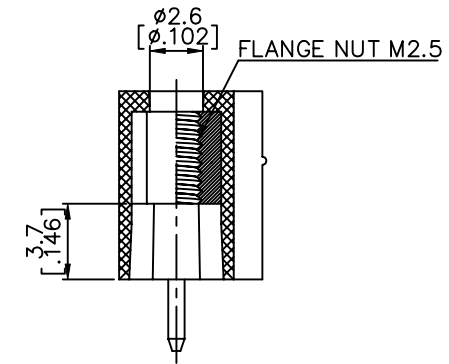
N= Number of poles

Dim A	$(N-1)*3.81[.150]+14.2[.559]$
Dim B	$(N-1)*3.81[.150]$
Dim C	$(N-1)*3.81[.150]+9.0[.354]$
Dim D	$(N-1)*3.81[.150]$

Poles	Tolerance
2p-6p	$\pm 0.15[.006]$
7p-12p	$\pm 0.20[.008]$
13p-16p	$\pm 0.25[.010]$
17p-24p	$\pm 0.30[.012]$



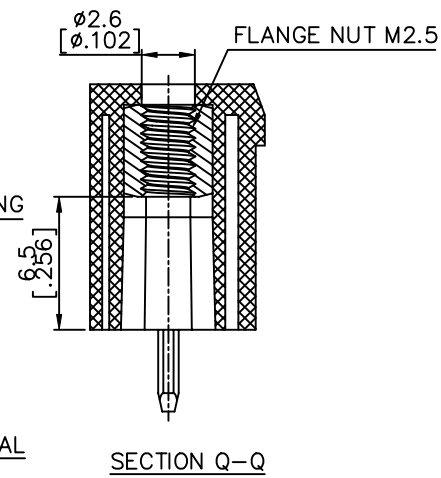
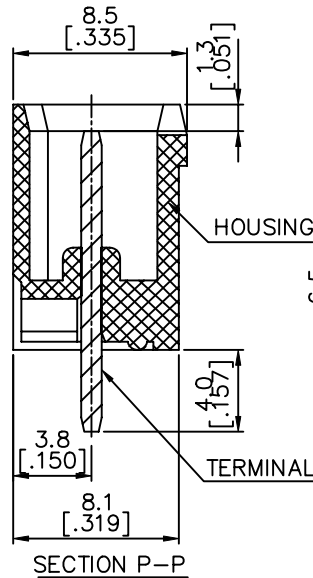
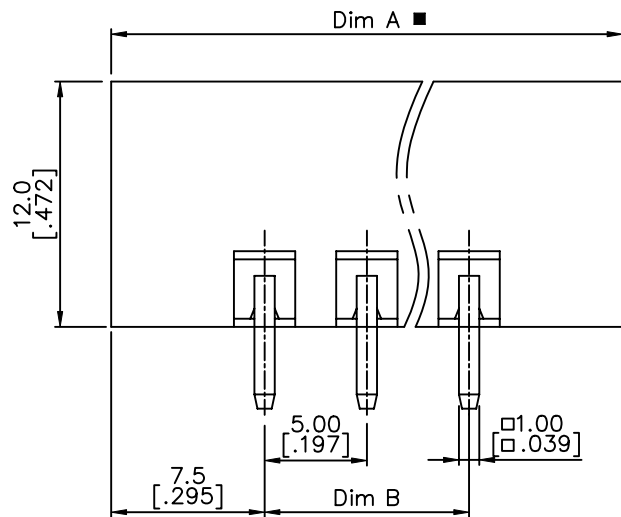
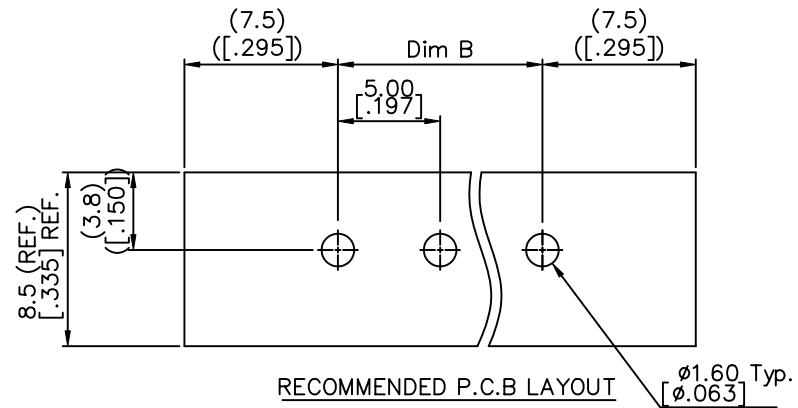
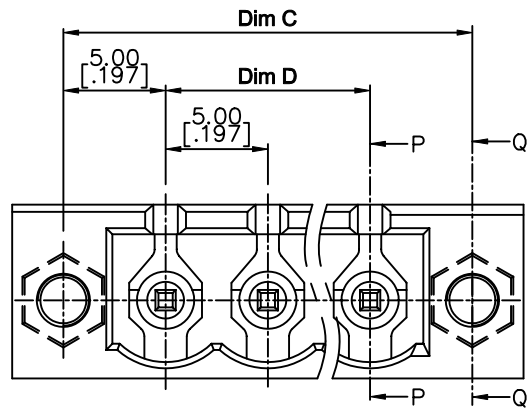
SECTION P-P



SECTION Q-Q

mat'l. code		surface ASME Y14.5	tolerance ASME Y14.5	projection 	product family TERMINAL BLOCK
ltr	ecn no	dr	date	title TERMINAL BLOCK PLUGGABLE, SOCKET, SIGNAL, STRAIGHT W/FLANGE	
E				MM [INCH]	sheet 3 of 5 size
				scale	20020108
		dr	WENDY CHEN	042310	A4
		enr	JASON HSU	042310	
		chr	GARY HSIEH	042310	
		appd	JOSEPH HSIA	042310	
sheet index	revision sheet				type CUSTOMER Drawing

PRODUCT NUMBER	SERIES NAME	PITCH
20020108-GXXXXXXLF	06-500	5.00 mm



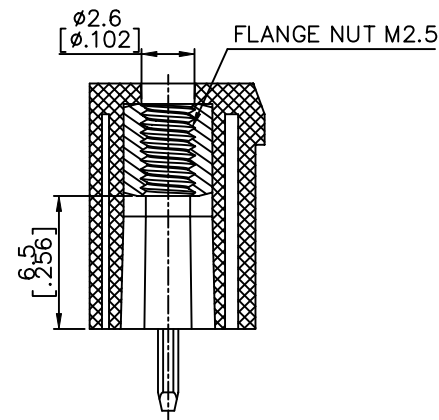
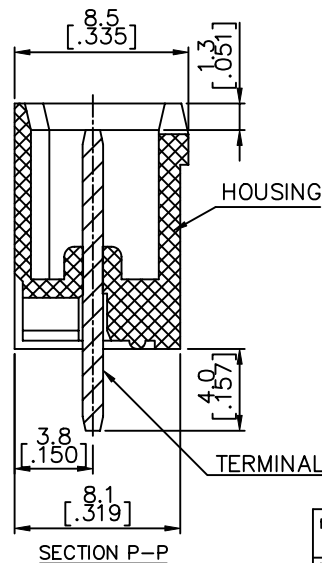
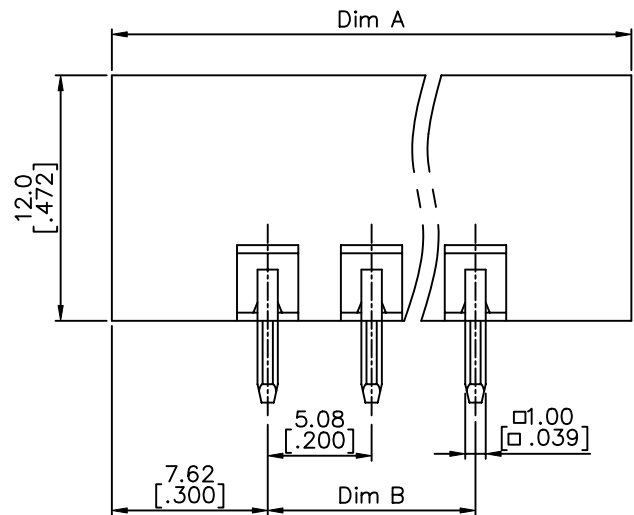
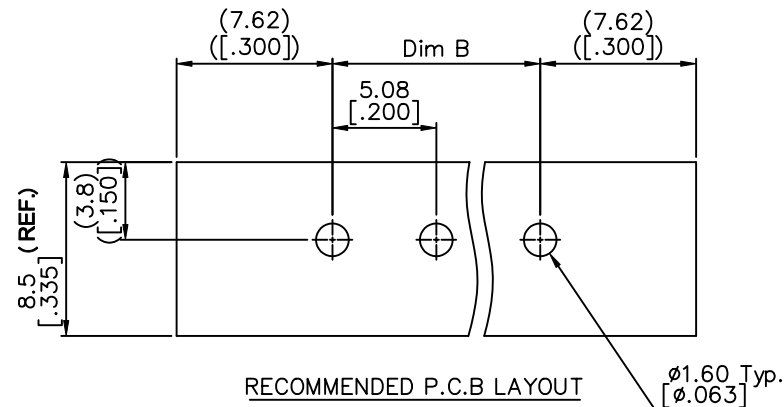
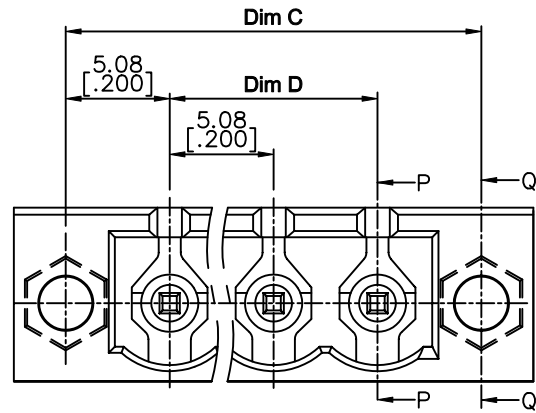
N= Number of poles

Dim A	(N+2)*5.0
Dim B	(N-1)*5.0
Dim C	(N+1)*5.0
Dim D	(N-1)*5.0

Poles	Tolerance
2P-6P	±0.15
7P-12P	±0.20
13P-18P	±0.30
19P-24P	±0.40

mat'l. code		surface ASME Y14.5	tolerance ASME Y14.5	projection 	product family TERMINAL BLOCK
ltr ecn no dr date		tolerances unless otherwise specified			title
E		angles X±1°	$X \pm 0.5 [0.020]$ $X.X \pm 0.3 [0.012]$ $X.XX \pm 0.1 [0.004]$	MM INCH	TERMINAL BLOCK PLUGGABLE, SOCKET, SIGNAL, STRAIGHT W/FLANGE
dr	WENDY CHEN	042310		scale	sheet 4 of 5 size
enr	JASON HSU	042310			20020108
chr	GARY HSIEH	042310			A4
appd	JOSEPH HSIA	042310			type CUSTOMER Drawing
sheet index	revision sheet				

PRODUCT NUMBER	SERIES NAME	PITCH
20020108-HXXXXXXLF	06-508	5.08 mm



N= NUMBER OF POLES

Dim A	$(N+2)*5.08$
Dim B	$(N-1)*5.08$
Dim C	$(N+1)*5.08$
Dim D	$(N-1)*5.08$

Poles	Tolerance
2P-6P	± 0.15
7P-12P	± 0.20
13P-18P	± 0.30
19P-24P	± 0.40

mat'l. code	surface ASME Y14.5	tolerance ASME Y14.5	projection	product family TERMINAL BLOCK
ltr	ecn no	dr	date	title
E				TERMINAL BLOCK PLUGGABLE, SOCKET, SIGNAL, STRAIGHT W/FLANGE
	angles	int		MM
	X°±1'	X.X±0.5[.020]		[INCH]
		X.X±0.3[.012]		scale
		X.XX±0.1[.004]		dwg no
	dr	WENDY CHEN	042310	sheet 5 of 5 size
	enr	JASON HSU	042310	20020108
	chr	GARY HSIEH	042310	A4
	app	JOSEPH HSIA	042310	type
				CUSTOMER Drawing
sheet index	revision sheet			

X-ON Electronics

Largest Supplier of Electrical and Electronic Components

Click to view similar products for [Pluggable Terminal Blocks](#) category:

Click to view products by [Amphenol](#) manufacturer:

Other Similar products are found below :

[57.404.7553](#) [57.504.0053.7](#) [57.510.0053](#) [57.910.6153](#) [01.112.1453](#) [CTB932VE/6](#) [MC 1.5/ 6-ST-3.5 GY AU](#) [ET02015000J0G](#) [734-104](#) [734-302](#) [734-304](#) [8-141-P](#) [FKCT 2.5/ 3-ST KMGY](#) [860505](#) [860508](#) [860516](#) [860810](#) [861908](#) [GBPACX-12](#) [93.731.4953.0](#) [PV05-5,08-K](#) [PVP02-5,00](#) [PVP04-3,50](#) [PVS02-5,00](#) [1-1986160-3](#) [H-10](#) [ELFH09150](#) [ELFH16150](#) [ELFP03110](#) [ELFT06250](#) [ELFT07250](#) [ELVF09400](#) [ELVP03100](#) [ELXH03100](#) [ELXH071G0E](#) [ELXP041G0](#) [ELXT046G0](#) [1700101](#) [1700410](#) [1700425](#) [1703176](#) [1705229](#) [1710175](#) [1714537](#) [1717806](#) [1719600](#) [1729386](#) [1734692](#) [1734795](#) [1736036](#)