

CY8CKIT-142 PSoC® 4 BLE MODULE

CY8CKIT-142 PSoC® 4 BLE Module is a certified, easy-to-use solution for creating complete BLE systems. It features a PSoC 4 BLE device, two crystals, a PCB antenna, and other passives and provides access to all GPIOs of the device.

Visit www.cypress.com/BLE for more information on Cypress's BLE solutions.

PSoC 4 BLE is an ARM® Cortex®-M0 based single-chip solution that integrates a programmable analog front end, programmable digital peripherals, CapSense® touch-sensing technology, and a Bluetooth® Low Energy or Bluetooth Smart radio.

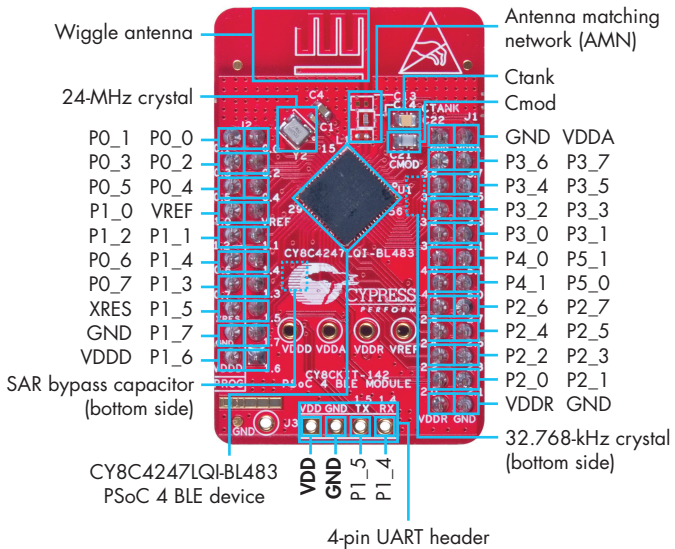


Fig-1: Pinout Description for PSoC 4 BLE Module

Note: To apply power to the module, use the VDD pin (1.9 V - 5.0 V) and GND pin.

CY8CKIT-142 PSoC® 4 BLE MODULE

STANDALONE USE WITH PSoC CREATOR™ IDE AND CY8CKIT-002 MINIPROG3

Step 1: Select the 5-pin connector setting in PSoC Creator or PSoC Programmer.

Step 2: You can use 0.1" male headers (not included) or jumper wires.



Pin Mapping	
CY8CKIT-002	CY8CKIT-142
VTARG	VDD
GND	GND
RES	XRES
SCLK	PO_7
SDAT	PO_6

Fig-2: Programming and Debugging with CY8CKIT-002

USING THE CY8CKIT-142 MODULE WITH CY8CKIT-042-BLE PIONEER KIT

Step 1: Plug the module on the CY8CKIT-042-BLE Pioneer Kit baseboard.

Step 2: Create your design in PSoC Creator IDE and use the BLE Pioneer Kit to program and debug.

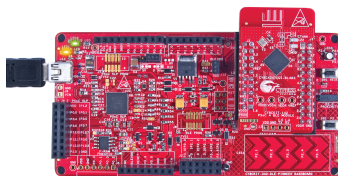


Fig-3: Programming and Debugging with CY8CKIT-042 BLE Pioneer Baseboard

CY8CKIT-142 is qualified for the Bluetooth 4.1 specification. The module, along with the CY8CKIT-042 BLE Pioneer Baseboard, has regulatory approval (for development purposes only) for the 2.4-GHz unlicensed frequency range in countries including USA (FCC), Canada (IC), Europe (CE), and Japan (JRF/TELEC).

Additional regulatory certification will be required to integrate the module into an end product. Contact support@cypress.com for details.

For more information about this kit, visit www.cypress.com/CY8CKIT-142

CY8CKIT-142

Manufactured by Cypress Semiconductor.



R 005-100919

Contains Model: CY8CKIT-142

FCC ID: WAP-CY8CKIT-142

IC: 7922A-CY8CKIT142



X-ON Electronics

Largest Supplier of Electrical and Electronic Components

Click to view similar products for [Bluetooth / 802.15.1 Development Tools](#) category:

Click to view products by [Cypress](#) manufacturer:

Other Similar products are found below :

[DA14580PRODTLKT](#) [BCM92073X_LE_KIT](#) [1628](#) [CYBLE-224116-EVAL](#) [450-0185](#) [MIKROE-2471](#) [BLE-IOT-GEVB](#) [450-0184](#) [DVK-BT830-SA-01](#) [MIKROE-2399](#) [EKSHCNZXZ](#) [EVAL-BT](#) [EBSGJNZWY](#) [DEMOBOARD-T7024PGM](#) [STEVAL-IDB005V1D](#) [STEVAL-IDB001V1](#) [SP14808](#) [MIKROE-2545](#) [EBSHJNZXZ](#) [EKSGJNZWY](#) [EKSHJNZXZ](#) [CYBLE-212019-EVAL](#) [ABBTM-2.4GHZ-EVAL](#) [2746](#) [AFERO-DB-01](#) [ATBTLC1000-XPRO](#) [ATBTLC1000-XSTK](#) [CYBLE-202007-EVAL](#) [BCM9WICED_SENSE2](#) [CY5674](#) [CY5676](#) [CY5676A](#) [CY8CKIT-042-BLE](#) [CY8CKIT-042-BLE-A](#) [CY8CKIT-141](#) [CY8CKIT-142](#) [CY8CKIT-143A](#) [CYBLE-022001-EVAL](#) [CYBLE-224110-EVAL](#) [EBSHSNZWZ](#) [EKSHSNZWZ](#) [BA600](#) [BB600](#) [BC600](#) [DVK-BL652-SA](#) [DVK-BL652-SC](#) [DVK-BT730-SA](#) [DVK-BT730-SC](#) [DVK-BT740-SA](#) [DVK-BT740-SC](#)