

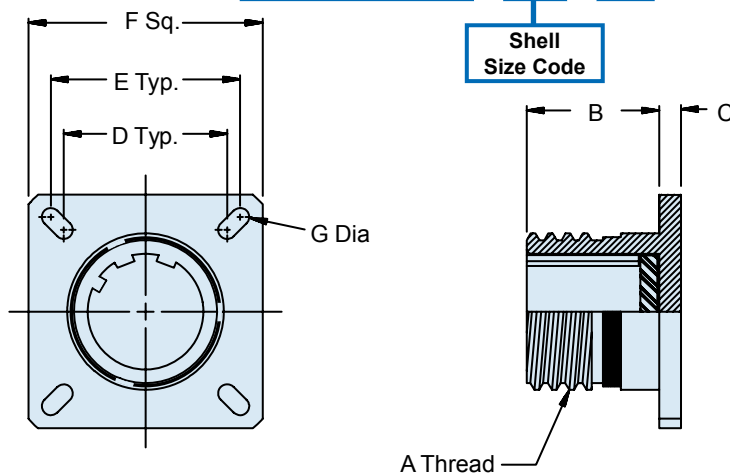
# D38999/22 Dummy Storage Receptacle Threaded Coupling



**MATING CONNECTOR**  
MIL-DTL-38999 Series III

**Basic Part No.**  
**D38999/22 - B W**

**Class Per Spec.**  
(Finish is Cadmium Olive Drab  
over Electroless Nickel)



**TABLE I: Shell Size Code and Dimensions**

Shell Size Code	Shell Size Ref.	A Thread	B -0.0		C		D	
			Max	+0.012	(0.3)			
<b>A</b> (See Note 4)	<b>9</b>	.625-.1P-3LTS	.820	(20.83)	.098	(2.5)	.594	(15.09)
<b>AA</b> (See Note 5)	<b>9</b>	.625-.1P-3LTS	.820	(20.83)	.098	(2.5)	.594	(15.09)
<b>B</b>	<b>11</b>	.750-.1P-3LTS	.820	(20.83)	.098	(2.5)	.719	(18.26)
<b>C</b>	<b>13</b>	.875-.1P-3LTS	.820	(20.83)	.098	(2.5)	.812	(20.62)
<b>D</b>	<b>15</b>	1.000-.1P-3LTS	.820	(20.83)	.098	(2.5)	.906	(23.01)
<b>E</b>	<b>17</b>	1.187-.1P-3LTS	.820	(20.83)	.098	(2.5)	.969	(24.61)
<b>F</b>	<b>19</b>	1.250-.1P-3LTS	.820	(20.83)	.098	(2.5)	1.062	(26.97)
<b>G</b>	<b>21</b>	1.375-.1P-3LTS	.790	(20.07)	.126	(3.2)	1.156	(29.36)
<b>H</b>	<b>23</b>	1.500-.1P-3LTS	.790	(20.07)	.126	(3.2)	1.250	(31.75)
<b>J</b>	<b>25</b>	1.625-.1P-3LTS	.790	(20.07)	.126	(3.2)	1.375	(34.93)

**TABLE I: Shell Size Code and Dimensions**

Shell Size Code	Shell Size Ref.	E		F -0.0		Ø G	
				+0.012	(0.3)	+0.008	(0.2)
<b>A</b>	<b>9</b>	.719	(18.26)	.937	(23.8)	.128	(3.25)
<b>B</b>	<b>11</b>	.812	(20.62)	1.031	(26.2)	.128	(3.25)
<b>C</b>	<b>13</b>	.906	(23.01)	1.126	(28.6)	.128	(3.25)
<b>D</b>	<b>15</b>	.969	(24.61)	1.220	(31.0)	.128	(3.25)
<b>E</b>	<b>17</b>	1.062	(26.97)	1.311	(33.3)	.128	(3.25)
<b>F</b>	<b>19</b>	1.156	(29.36)	1.437	(36.5)	.128	(3.25)
<b>G</b>	<b>21</b>	1.250	(31.75)	1.563	(39.7)	.128	(3.25)
<b>H</b>	<b>23</b>	1.375	(34.93)	1.689	(42.9)	.154	(3.91)
<b>J</b>	<b>25</b>	1.500	(38.10)	1.811	(46.0)	.154	(3.91)

## APPLICATION NOTES

1. Assembly to be identified with manufacturer's name and part number, space permitting.
2. For complete dimensions, see the applicable Military Specification.
3. Metric dimensions (mm) are in parentheses.
4. Shell size code "A" is for polarization C, E and N only.
5. Shell size code "AA" is for polarization A, B and D only.

## X-ON Electronics

Largest Supplier of Electrical and Electronic Components

*Click to view similar products for [Accessories for Robotics and RC](#) category:*

*Click to view products by [Glenair](#) manufacturer:*

Other Similar products are found below :

[56T705](#) [015-9516-002](#) [01.001.6453.0](#) [641763-8](#) [CW106-01X](#) [CW30101A](#) [CW31701A](#) [D2041839](#) [70.352.0628.0](#) [73.353.4028.1](#) [FB22001A](#)  
[FB30601A](#) [9009030000](#) [9501](#) [121587-0026](#) [1218510-1](#) [1218629-4](#) [1218630-4](#) [1261000A00M001](#) [128-26-5](#) [RFI77-14](#) [1367251-2](#) [14](#) [1-](#)  
[449604-1](#) [1460g4](#) [1470g4](#) [DV0PM20034](#) [MS27488-16-1](#) [MS3057-12A W/B](#) [MS3057-8A-624](#) [MS600-2-XP-1A](#) [MS-602-GEE-14-07C](#)  
[MS603-12-01A](#) [MS90376-14R](#) [MS90376-16RB](#) [MTB1-11PH3](#) [1676610000](#) [1A9224 REV A](#) [210-115](#) [CA20L22](#) [2227383-1](#) [225-0090-000](#)  
[225-0098-000](#) [KA-89-82](#) [CB20201X](#) [KC-89-104](#) [CB30601A](#) [CB31201A](#) [236-600](#) [CBC120210-752](#)