

GT8660 G510 Adapter Board

REVERSION: V1.2

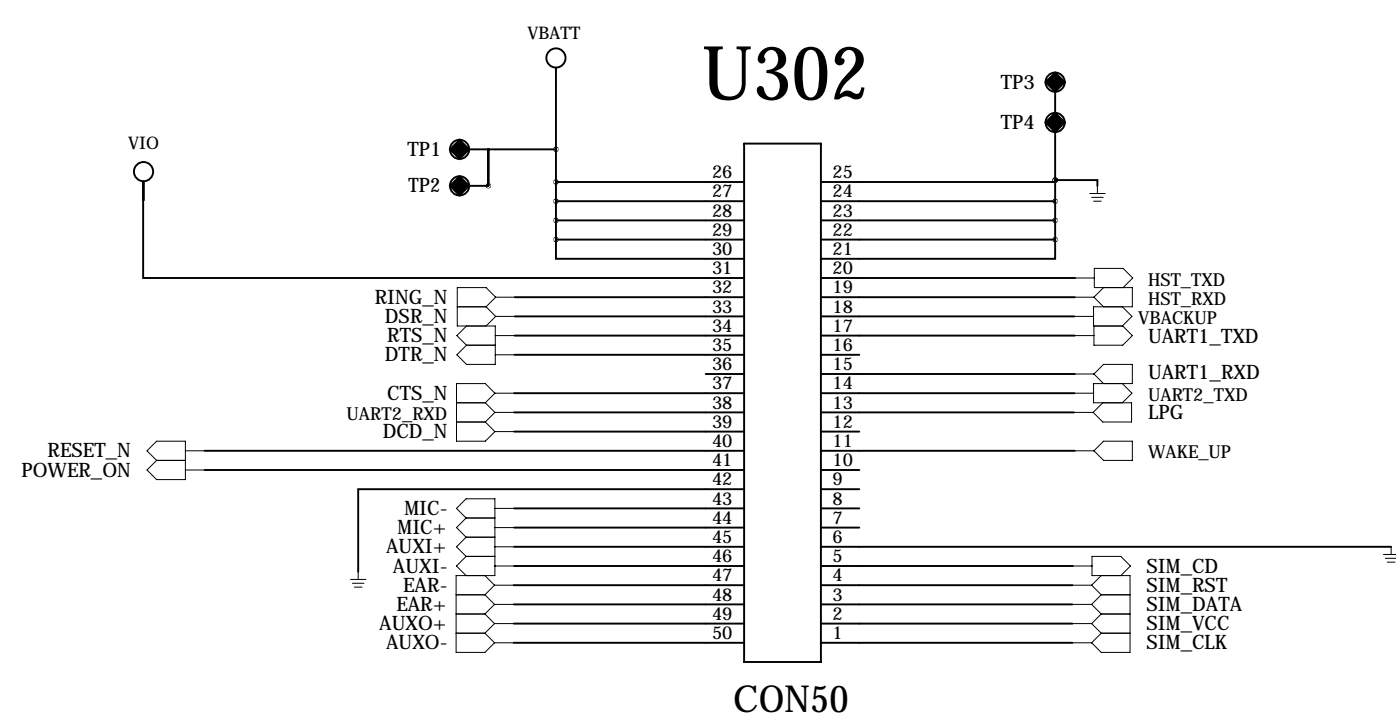
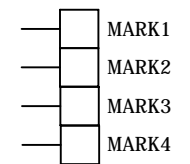
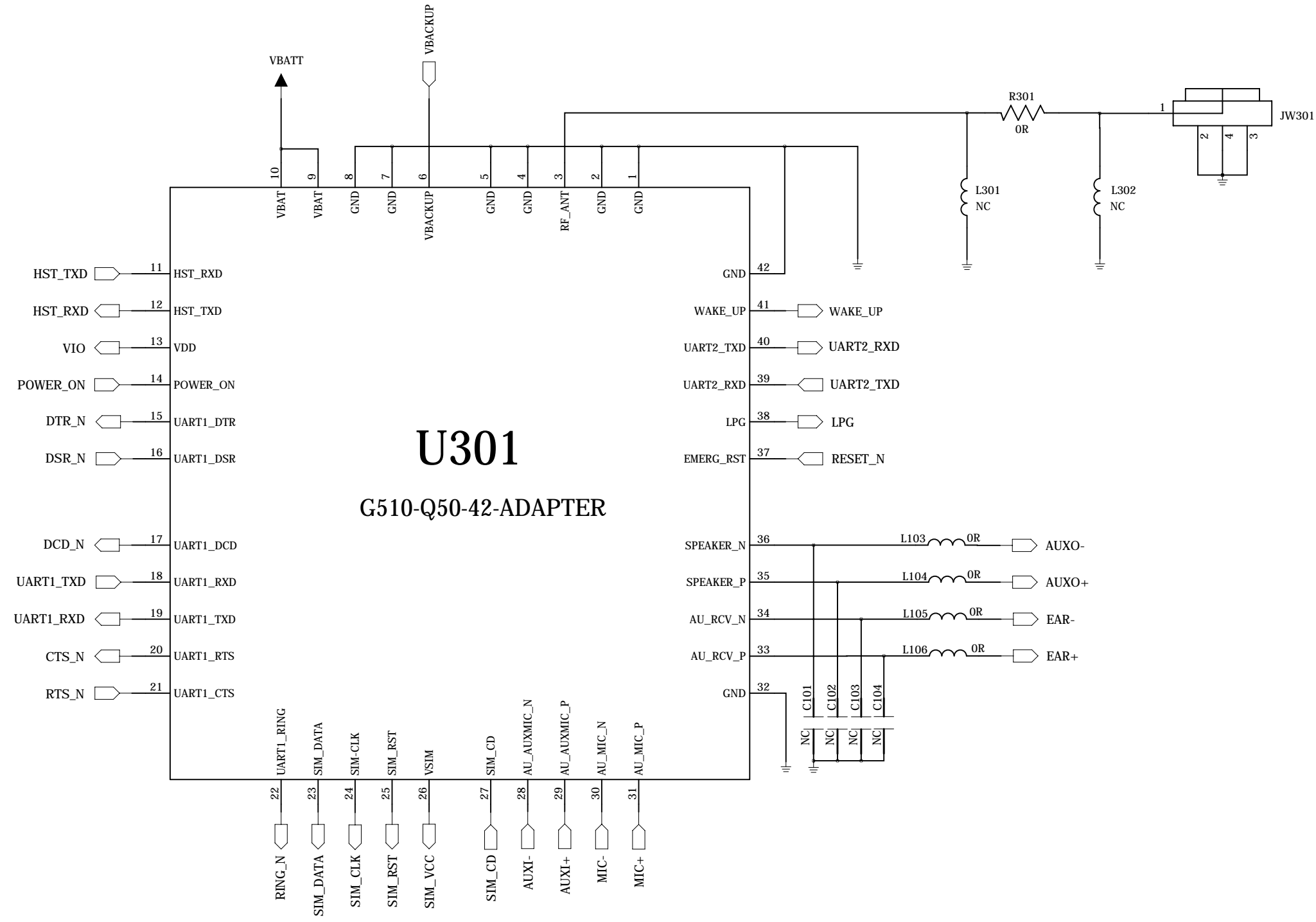
DATE: 2013-06-04

SECRET: CONFIDENTIAL

COMPANY:	FIBOCOM Wireless Inc		
TITLE:	CHANGE NOTE		
CODE:		PROJECT:	GT8660
SIZE:	C	REV:	V1.2
DATED:	2013-06-04	SHEET	OF3

Date	Change Note
20130129	U301 Exchange name HST_TXD and HST_RXD;UART1_TXD and UART1_RXD ;UART2_TXD and UART2_RXD;RTS and CTS
20130129	U301 Exchange name DTR and DSR ;exchange net DTR and DSR
20130604	U301 change Pin name U302 change Pin number
20130604	Delete R302 ,U301 Pin40 exchange net RXD_N to U302 Pin38 UART2_RXD Delete R303 ,U301 Pin39 exchange net TXD_N to U302 Pin14 UART2_TXD
20130604	Delete R304 ,U301 Pin11 exchange net TXD_N to U302 Pin20 HST_TXD Delete R305,U301 Pin12 exchange net RXD_N to U302 Pin19 HST_RXD
20130604	Delete R306 ,U301 Pin18 exchange net TXD_N to U302 Pin17 UART1_TXD Delete R307 ,U301 Pin19 exchange net RXD_N to U302 Pin15 UART1_RXD
20130604	U301 Pin6 add net VBACKUP to U302 Pin18 U301 Pin41 add net WAKE_UP to U302 Pin11
20130604	Delete test point POWER_ON;RESET;VBACKUP;WAKE_UP;VIO

COMPANY:	FIBOCOM Wireless Inc		
TITLE:	CHANGE NOTE		
CODE:		PROJECT:	GT8660
SIZE:	C	REV:	V1.2
DATED:	2013-06-04	SHEET	OF3



COMPANY:	FIBOCOM Wireless Inc		
TITLE:	CHANGE NOTE		
CODE:		PROJECT:	GT8660
SIZE:	C	REV:	V1.2
DATED:	2013-06-04	SHEET:	OF3

X-ON Electronics

Largest Supplier of Electrical and Electronic Components

Click to view similar products for [RF Modules](#) category:

Click to view products by [Fibocom](#) manufacturer:

Other Similar products are found below :

[HMC-C009](#) [HMC-C011](#) [nRF24L01P-MODULE-PCB](#) [HMC-C021](#) [HMC-C024](#) [XB9XT-DPRS-721](#) [XBP9B-DMUTB022](#) [nRF24L01P-MODULE-SMA](#) [CMD-KEY2-418-CRE](#) [XM-C92-2P-UA](#) [XB9XT-DPUS-721](#) [V640-A90](#) [HMC-C583](#) [MAAM-008818-TR3000](#) [MTSMC-H5-U](#) [SIMSA868-PRO](#) [SIMSA915C-PRO](#) [SIMSA868C-PRO](#) [SIMSA433C-PRO](#) [SIMSA915-PRO](#) [XBP9B-DMUT-042](#) [HMC-C582](#) [HMC-C022](#) [XBP9B-DPST-041](#) [XBP9B-DMWT-042](#) [SM-MN-00-HF-RC](#) [HMC-C031](#) [MT-02](#) [M1002GB](#) [702-W](#) [SIMSA868C-N-PRO](#) [SIMSA433C-N-PRO](#) [SIMSA915C-N-PRO](#) [ADP-R202-00B](#) [PEPPER WIRELESS C1 USB](#) [S2-10732-Z1T61](#) [S2-107XB-Z2356-Z2352](#) [S2-10672-Z1L85](#) [S2-10686-Z1L1D](#) [S2-10688-Z1L1T](#) [S2-106BA-Z1P20](#) [S2-1060C-Z1F0A](#) [S2-106R4-Z1Q6F-Z1Q6Q](#) [S2-106R4-Z1Q6J-Z1Q6Q](#) [S2-106RB-Z1Q6V-Z1Q6Q](#) [S2-107DR-Z1Y5B](#) [SU60-2230C-PU](#) [RC-TFSK3-868](#) [NANO RFID POE](#) [650201424G](#)