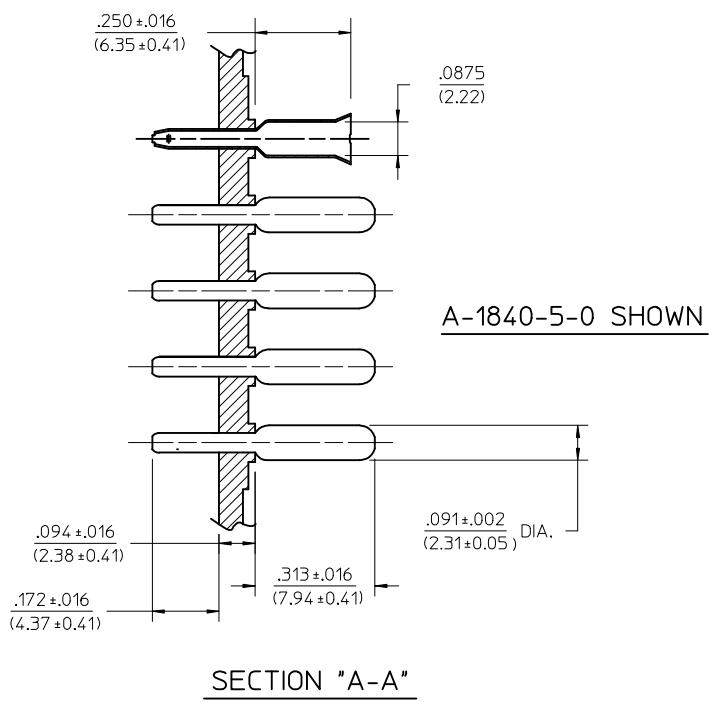
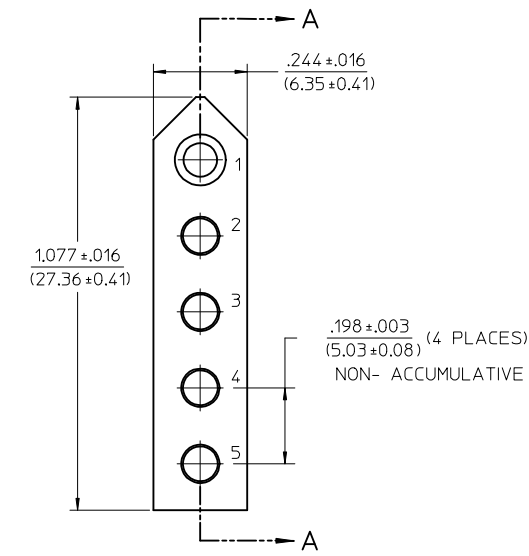
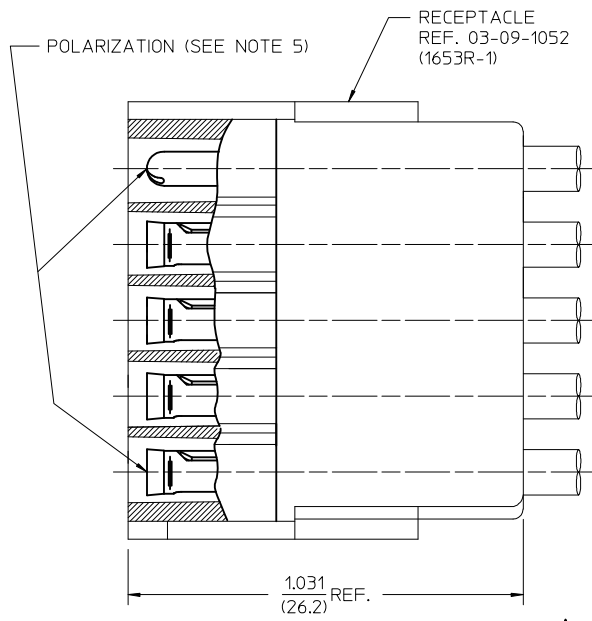
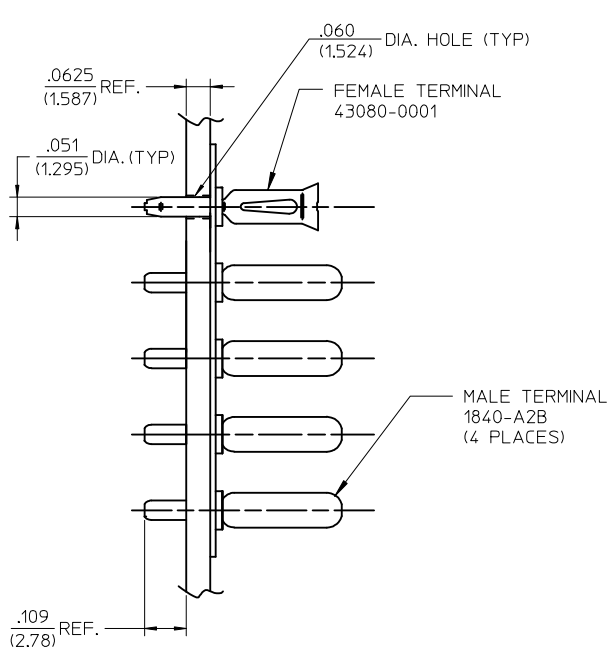


- NOTES:
- MATERIAL:  
BASE AND RECEPTACLE: NYLON PA66 PER 68200-0037, UL94V-2, COLOR: NATURAL  
TERMINALS: MALE - C26000 ALLOY BRASS  
FEMALE - C51000 PHOS. BRONZE
  - FINISH:  
999 - UNPLATED  
102 - (MALE TERMINALS ONLY)  
.000200/0.00508 MIN. TIN OVER  
.000100/0.00254 MIN. COPPER  
126 - (FEMALE TERMINALS ONLY)  
.000050/0.00127 MIN. TIN  
.000050/0.00127 MIN. NICKEL
  - PRODUCT SPECIFICATION: N/A
  - PACKAGING SPECIFICATION: PK-1840-001
  - POLARIZATION ACCOMPLISHED THROUGH AN INTER-MIX OF MALE AND FEMALE TERMINALS. (MOLEX .093 TERMINALS)
  - TERMINAL PATTERN CODE:  
M = MALE TERMINALS  
F = FEMALE TERMINALS  
B = NO TERMINALS

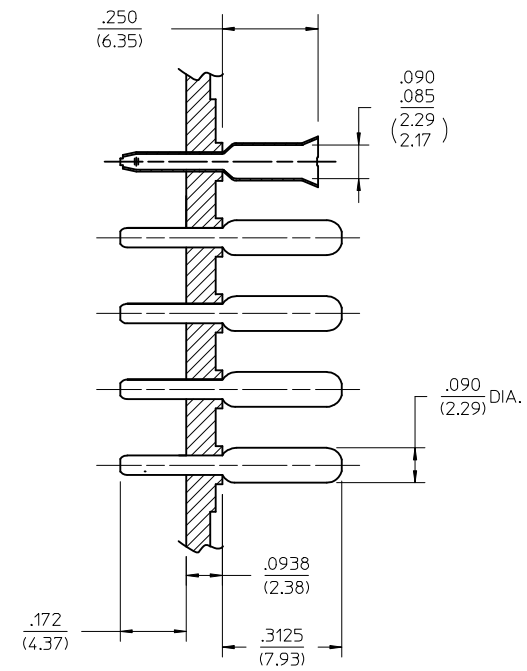


09-18-5950	A-1840-5-9	F	M	F	M	M
09-18-5954	A-1840-5-13	F	B	M	B	M
09-18-5059	A-1840-5-8	F	F	M	M	M
09-18-5058	A-1840-5-7	M	M	M	M	F
09-18-5051	A-1840-5-0	F	M	M	M	M
PART NO.	ENG. NO.	1	2	3	4	5
TERMINAL PATTERN						

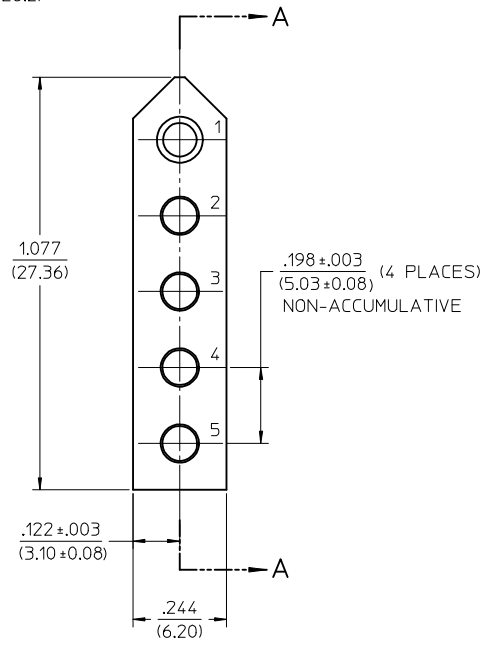
<b>ADD PKG SPECS</b> EC NO: UCP2013-4695 DRW: NALHAG 2013/05/01 CHKD: JBELL 2013/05/01 APPR: FSMITH 2013/05/13	QUALITY SYMBOLS	GENERAL TOLERANCES (UNLESS SPECIFIED)	DIMENSION STYLE	SCALE	DESIGN UNITS	THIRD ANGLE PROJECTION
	∇=0 ∇=0 ∇=1	mm      INCH 4 PLACES ± --- ± --- 3 PLACES ± --- ± .005 2 PLACES ± 0.13 ± .010 1 PLACE ± 0.25 ± --- ANGULAR ± 1/2°	IN/MM	4:1	INCH	
	DRAWN BY DATE EWC 1974/04/30 CHECKED BY DATE JBELL 2013/05/01 APPROVED BY DATE FSMITH 2011/09/14	DRAFT WHERE APPLICABLE MUST REMAIN WITHIN DIMENSIONS		TITLE CONNECTOR PC BOARD WAFERCON 5 CIRCUIT		SHEET NO. 1 OF 1
	MATERIAL NO. SEE CHART			MOLEX INCORPORATED 1840-5-*		
REV A1	THIS DRAWING CONTAINS INFORMATION THAT IS PROPRIETARY TO MOLEX INCORPORATED AND SHOULD NOT BE USED WITHOUT WRITTEN PERMISSION					



- NOTES:
- MATERIAL:  
 BASE AND RECEPTACLE: NYLON PA66, UL94V-0, COLOR: NATURAL  
 TERMINALS: MALE - BRASS ALLOY  
 FEMALE - PHOSPHOR BRONZE ALLOY
  - FINISH:  
 MALE TERMINALS: .000200/0.00508 MIN. TIN OVER  
 .000100/0.00254 MIN. COPPER  
 FEMALE TERMINALS: .000050/0.00127 MIN. TIN OVER  
 .000050/0.00127 MIN. NICKEL
  - PRODUCT SPECIFICATION: N/A
  - PACKAGING SPECIFICATION: PK-1840-001
  - POLARIZATION ACCOMPLISHED THROUGH AN INTER-MIX OF MALE AND FEMALE TERMINALS. (MOLEX .093 TERMINALS)
  - TERMINAL PATTERN CODE:  
 M = MALE TERMINALS  
 F = FEMALE TERMINALS  
 B = NO TERMINALS
  - PARTS TO BE MOUNTED ON SUPPORTED EDGE OF P.C. BOARD



A-1840-5-0 AS SHOWN



09-18-5950	A-1890-5-9	F	M	F	M	M
09-18-5954	A-1840-5-13	F	B	M	B	M
09-18-5059	A-1840-5-8	F	F	M	M	M
09-18-5058	A-1840-5-7	M	M	M	M	F
09-18-5051	A-1840-5-0	F	M	M	M	M
PART NO.	ENG. NO.	1	2	3	4	5
TERMINAL PATTERN						

ADD PKG SPECS EC NO: UCP2013-4695 DRWN: AELHAG 2013/05/01 CHKD: JBELL 2013/05/01 APPR: FSMITH 2013/05/13	QUALITY SYMBOLS ▽=0 ▽=0 ▽=0	GENERAL TOLERANCES (UNLESS SPECIFIED) <table border="1"> <tr> <th></th> <th>mm</th> <th>INCH</th> </tr> <tr> <td>4 PLACES</td> <td>± .005</td> <td>± .0005</td> </tr> <tr> <td>3 PLACES</td> <td>± .01</td> <td>± .001</td> </tr> <tr> <td>2 PLACES</td> <td>± .13</td> <td>± .01</td> </tr> <tr> <td>1 PLACE</td> <td>± 0.25</td> <td>± .01</td> </tr> </table>		mm	INCH	4 PLACES	± .005	± .0005	3 PLACES	± .01	± .001	2 PLACES	± .13	± .01	1 PLACE	± 0.25	± .01	DIMENSION STYLE <b>IN/MM</b>	SCALE <b>4:1</b>	DESIGN UNITS <b>INCH</b>	THIRD ANGLE PROJECTION
		mm	INCH																		
	4 PLACES	± .005	± .0005																		
	3 PLACES	± .01	± .001																		
2 PLACES	± .13	± .01																			
1 PLACE	± 0.25	± .01																			
DRAWN BY EWC	DATE 1974/04/30	TITLE <b>CONNECTOR PC BOARD WAFERCON 5 CIRCUIT</b>																			
CHECKED BY JBELL	DATE 2013/05/01	<b>MOLEX INCORPORATED</b>																			
APPROVED BY FSMITH	DATE 2011/09/14	MATERIAL NO. <b>SEE CHART</b>	DOCUMENT NO. <b>SDA-1840-5-x</b>	SHEET NO. <b>1 OF 1</b>																	

DRAFT WHERE APPLICABLE MUST REMAIN WITHIN DIMENSIONS

THIS DRAWING CONTAINS INFORMATION THAT IS PROPRIETARY TO MOLEX INCORPORATED AND SHOULD NOT BE USED WITHOUT WRITTEN PERMISSION

## X-ON Electronics

Largest Supplier of Electrical and Electronic Components

*Click to view similar products for [Headers & Wire Housings](#) category:*

*Click to view products by [Molex](#) manufacturer:*

Other Similar products are found below :

[95000-104TRLF](#) [10135584-644402LF](#) [DF62W-EP2022PCA](#) [95000-106TRLF](#) [DF62W-2022SCA](#) [DF62W-EP2022PC](#) [2203348](#) [DF62W-2022SC](#) [1084018](#) [1029039](#) [1084017](#) [802-10-012-10-002000](#) [1112640](#) [1112639](#) [891-007-9SS-BST1T](#) [000-34000](#) [0008550134](#) [0009482033](#) [0009507031](#) [57102-F02-18ULF](#) [57102-S06-03LF](#) [57202-S52-04LF](#) [PCN6-15S-2.5E](#) [0039019024](#) [58102-G61-06LF](#) [582553-1](#) [0009485154](#) [0009508121](#) [0022285053](#) [0050291907](#) [018731A](#) [LY20-4P-DT1-P1E-BR](#) [02.125.8002.8](#) [60101931](#) [60598-1 \(Cut Strip\)](#) [M1625-3R/100](#) [61062-3](#) [61082-181009](#) [CSU011177004](#) [636-1427](#) [638009-1](#) [641938-9](#) [641991-4](#) [644168-1](#) [644827-2](#) [647662-1](#) [65039-019ELF](#) [65692-001LF](#) [65781-018](#) [65781-047](#)