

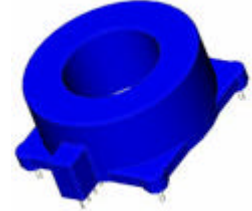
Current Transducer HTFS 200..800-P/SP2

$I_{PN} = 200 - 400 - 800 A$

For the electronic measurement of currents : DC, AC, pulsed, mixed, with a galvanic isolation between the primary circuit (high power) and the secondary circuit (electronic circuit).



All Data are given with a $R_L = 10\text{ k}\Omega$



Electrical data

Primary nominal current rms I_{PN} (A)	Primary current measuring range I_{PM} (A)	Type	RoHS since date code
200	± 300	HTFS 200-P/SP2	45326
400	± 600	HTFS 400-P/SP2	45060
800	± 1200	HTFS 800-P/SP2	45060

V_{OUT}	Output voltage (Analog) @ I_p $I_p = 0$	$V_{REF} \pm (1.25 \cdot I_p / I_{PN})$	V
V_{REF}	Reference voltage ¹⁾ - Output voltage	$V_{REF} \pm 0.025$	V
	V_{REF} Output impedance	typ. 200	Ω
	V_{REF} Load impedance	≥ 200	k Ω
R_L	Load resistance	≥ 2	k Ω
R_{OUT}	Output internal resistance	< 10	Ω
C_L	Capacitive loading < 1	μF	
V_C	Supply voltage ($\pm 5\%$)	5	V
I_C	Current consumption @ $V_C = 5\text{ V}$	22	mA

Features

- Hall effect measuring principle
- Galvanic isolation between primary and secondary circuit
- Low power consumption
- Single power supply +5V
- Ratiometric offset
- $T_A = -40..+105\text{ }^\circ\text{C}$
- PCB fixation by 4 $\varnothing 1$ pins
- Insulated plastic case recognized according to UL 94-V0

Advantages

- Small size and space saving
- Only one design for wide current ratings range
- High immunity to external interference.
- V_{REF} IN/OUT

Applications

- Forklift drives
- AC variable speed drives
- Static converters for DC motor drives
- Battery supplied applications
- Uninterruptible Power Supplies (UPS)
- Switched Mode Power Supplies (SMPS)
- Power supplies for welding applications.

Application domain

- Industrial

Accuracy - Dynamic performance data

X	Accuracy ²⁾ @ I_{PN} , $T_A = 25^\circ\text{C}$	$\leq \pm 1$	% of I_{PN}
e_L	Linearity error $0..1.5 \times I_{PN}$	$\leq \pm 0.5$	% of I_{PN}
TCV_{OE}	Temperature coefficient of V_{OE} @ $I_p = 0$	$\leq \pm 0.3$	mV/K
TCV_{REF}	Temperature coefficient of V_{REF}	$\leq \pm 0.01$	%/K
TCV_{OUT/V_{REF}}	Temperature coefficient of V_{OUT}/V_{REF} @ $I_p = 0$	$\leq \pm 0.2$	mV/K
TCV_{OUT}	Temperature coefficient of V_{OUT}	$\leq \pm 0.05\%$	of reading/K
V_{OM}	Magnetic offset voltage @ $I_p = 0$, after an overload of $3 \times I_{PNDC}$	$< \pm 0.5$	% of I_{PN}
t_{ra}	Reaction time @ 10 % of I_{PN}	< 3	μs
t_r	Response time to 90 % of I_{PN} step	< 7	μs
di/dt	di/dt accurately followed	> 100	A/ μs
V_{no}	Output voltage noise (DC ..10 kHz)	< 15	mVpp
	(DC .. 1 MHz)	< 40	mVpp
BW	Frequency bandwidth (-3 dB) ³⁾	DC .. 20	kHz

General data

T_A	Ambient operating temperature	- 40 .. + 105	$^\circ\text{C}$
T_S	Ambient storage temperature	- 40 .. + 105	$^\circ\text{C}$
m	Mass	60	g
	Standards	EN 50178: 1997	

Notes : ¹⁾ It is possible to overdrive V_{REF} with an external reference voltage between 2 - 2.8 V providing its ability to sink or source approx. 2.5 mA.

²⁾ Excluding offset.

³⁾ Small signal only to avoid excessive heatings of the magnetic core.

Current Transducer HTFS 200..800-P/SP2

Isolation characteristics

V_b	Rated isolation voltage rms with IEC 61010-1 standards and following conditions - Single insulation - Over voltage category III - Pollution degree 2 - Heterogeneous field	150	V
V_b	Rated isolation voltage rms with EN 50178 standards and following conditions - Reinforced insulation - Over voltage category III - Pollution degree 2 - Heterogeneous field	150	V
V_d	Rms voltage for AC isolation test, 50 Hz, 1 min	2.5	kV
V_e	Partial discharge extinction voltage rms @ 10pC	> 1	kV
V_w	Impulse withstand voltage 1.2/50 μs	4	kV
dCp	Creepage distance	> 4	mm
dCl	Clearance distance	> 4	mm
CTI	Comparative tracking index (Group IIIa)	> 220	

If insulated cable is used for the primary circuit, the voltage category could be improved with the following table :

Cable insulation (primary)	Category
HAR 03	300V CAT III
HAR 05	400V CAT III
HAR 07	500V CAT III

Safety



This transducer must be used in electric/electronic equipment with respect to applicable standards and safety requirements in accordance with the following manufacturer's operating instructions.



Caution, risk of electrical shock

When operating the transducer, certain parts of the module can carry hazardous voltage (eg. primary busbar, power supply).

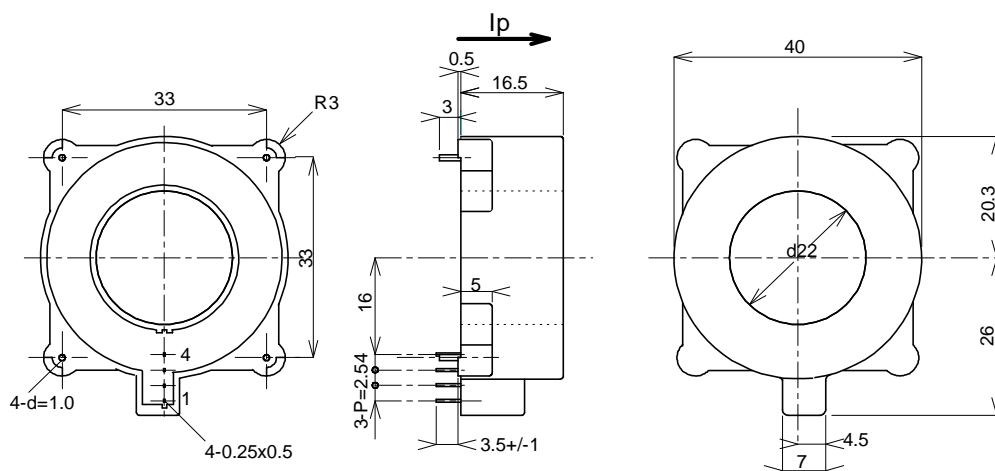
Ignoring this warning can lead to injury and/or cause serious damage.

This transducer is a built-in device, whose conducting parts must be inaccessible after installation.

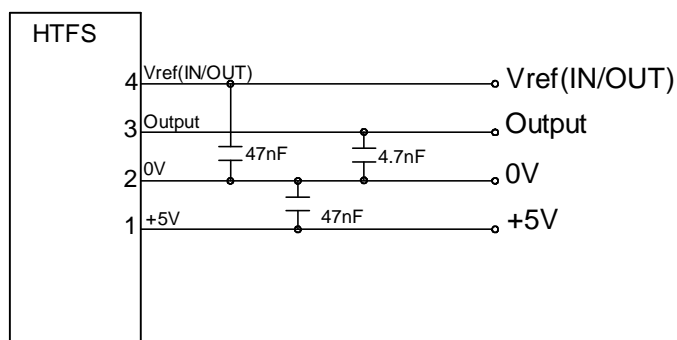
A protective housing or additional shield could be used.

Main supply must be able to be disconnected.

Dimensions HTFS 200..800-P/SP2 (in mm. 1 mm = 0.0394 inch)



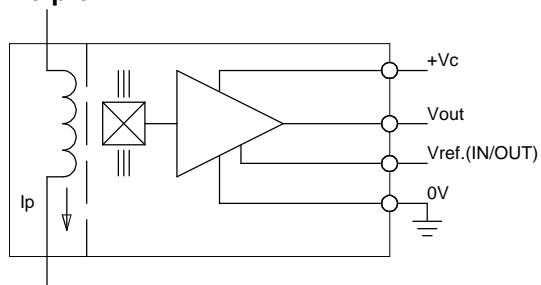
Required Connection Circuit



Terminal Pin

- 1...+5V
- 2...0V
- 3...Output
- 4...Vref(IN/OUT)

Operation Principle



Mechanical characteristics

- General tolerance ± 0.2 mm
- Fixation 4 pins x $\varnothing 1.0$
- Recommended PCB hole $\varnothing 1.2$ mm
- Fastening & connection of secondary 4 pins 0.5 x 0.25
- Recommended PCB hole $\varnothing 0.7$ mm

Remarks

- V_{OUT} is positive when I_p flows in the direction of the arrow.
- Temperature of the primary conductor should not exceed 120°C.

X-ON Electronics

Largest Supplier of Electrical and Electronic Components

Click to view similar products for [Interface - Specialized category](#):

Click to view products by [Lem manufacturer](#):

Other Similar products are found below :

[CY7C910-51LMB](#) [MC33689DPEWR2](#) [MC33975TEKR2](#) [MEC1632-AUE](#) [MC33978AEK](#) [NVT4555UKZ](#) [TJA1081TS,112](#) [RKSAS4](#)
[HMC677G32](#) [LPC47N207-JV](#) [FTP-637DSL633R](#) [MAX7348AEP+](#) [SM712GX04LF04-BA](#) [DS2413P+T&R](#) [NCN5193MNTWG](#)
[MC34978AEK](#) [MC33689DPEW](#) [MC33889BPEG](#) [NCV7381DP0R2G](#) [PCA9704PWJ](#) [S6BT112A01SSBB202](#) [MAX7347AEE+](#) [DS8113-](#)
[RNG+T&R](#) [DS8024-RJX+T&R](#) [NCN5192MNRG](#) [DS8023-RRX+T&R](#) [DS8024-RRX+T&R](#) [ST8034HCQR](#) [XP71055](#)
[TC7PCI3212MT,LF\(S](#) [ASI4UE-F-G1-ST](#) [HOA6241-001](#) [MEC1310-NU](#) [SC74HC4066ADTR2G](#) [TDA8035HNC1S1QL](#) [TNY380PN](#)
[RMT3PB080](#) [AS3935-BQFT](#) [0714300268](#) [MAX9924UAUB/V+](#) [MAX3120CUA+](#) [MAX3171CAI](#) [NCN8025MTTBG](#) [DS8023-RRX](#)
[DS2406P+T&R](#) [DS8007-ENG+](#) [DS8007A-EAG+](#) [DS2482X-101T](#) [DS1886T+](#) [DG407AK/883B](#)