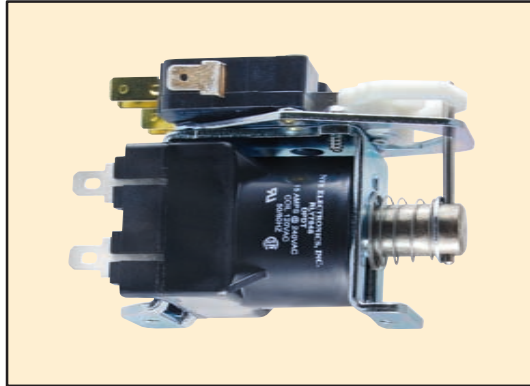
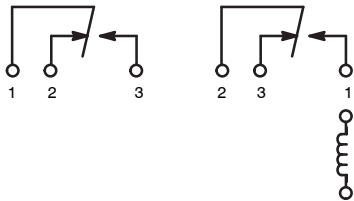


Features

- Quick Connect Terminals: .250" (6.35mm) or .187" (4.75mm)
Consult factory for actual stock (See Note under drawing)
- Multicontact
- Pulse Operation
- Power Saving



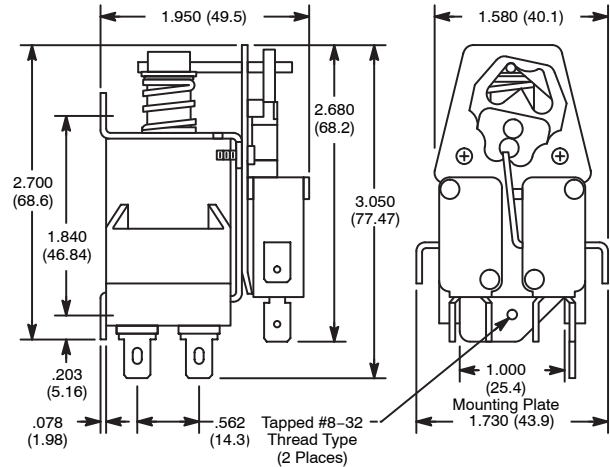
DPDT, 2 Form "C"



RLY76/77 Series

15 Amp, Bistable, DPDT, Impulse Relays.

D72



* Quick Connect Terminals May be either .250in or .187in.
Consult Factory for actual stock

Electrical Specifications

Contact

Rating: 15 Amp @ 125/250 VAC

Contact Horsepower Rating: 1/2 HP @ 125/250 VAC

Coil

Coil Voltages: See Chart

Resistance: See Chart

Operational Characteristics

Timing Value: ... Operate Time: 75 mS min

Release Time: 75 mS min

Must Operate Voltage

AC Coil: 85% of nominal voltage @ +25°C

DC Coil: 75% of nominal voltage @ +25°C

Insulation Characteristics

Dielectric Strength

Initial Breakdown Voltage: 1500V RMS, 60Hz

Insulation Resistance: Class B (130°C)

Environmental Characteristics

Operating: -10°C to +60°C

Life

Mechanical: 100,000 operations

Electrical: 50,000 operations (under rated load)

Weight

Std: 7.75 oz (241 grams) approx.

AC OPERATED						
NTE Type No.	Nom. Volt.	Contact Arr.	Coil Res. Ohms (Typ)	Approx. Nom. Power	Max. Contact Cur. @ 28VDC 120VAC	Diag No.
RLY7643	24VAC	DPDT	9	9 VA	15A	D72
RLY7645	120VAC	DPDT	260	9 VA	15A	D72
DC OPERATED						
RLY7742	12VDC	DPDT	25	6.5W	15A	D72
RLY7743	24VDC	DPDT	90	6.5W	15A	D72

X-ON Electronics

Largest Supplier of Electrical and Electronic Components

Click to view similar products for [General Purpose Relays](#) category:

Click to view products by [NTE](#) manufacturer:

Other Similar products are found below :

[APF30318](#) [JVN1AF-4.5V-F](#) [PCN-105D3MHZ](#) [5JO-10000S-SIL](#) [5JO-1000CD-SIL](#) [5JO-400CD-SIL](#) [LY2S-AC220/240](#) [LYQ20DC12](#)
[6031007G](#) [6131406HQ](#) [6-1393099-3](#) [6-1393099-8](#) [6-1393122-4](#) [6-1393123-2](#) [6-1393767-1](#) [6-1393843-7](#) [6-1415012-1](#) [6-1419102-2](#) [6-](#)
[1423698-4](#) [6-1608051-6](#) [6-1608067-0](#) [6-1616170-6](#) [6-1616248-2](#) [6-1616282-3](#) [6-1616348-2](#) [6-1616350-1](#) [6-1616350-8](#) [6-1616358-7](#) [6-](#)
[1616359-9](#) [6-1616360-9](#) [6-1616931-6](#) [6-1617039-1](#) [6-1617052-1](#) [6-1617090-2](#) [6-1617090-5](#) [6-1617347-5](#) [6-1617353-3](#) [6-1617801-8](#) [6-](#)
[1617802-2](#) [6-1618107-9](#) [6-1618248-4](#) [M83536/1-027M](#) [CX-4014](#) [MAHC-5494](#) [MAVCD-5419-6](#) [703XCX-120A](#) [7-1393100-5](#) [7-1393111-7](#)
[7-1393144-5](#) [7-1393767-8](#)