



VND5E050AJ-E VND5E050AK-E

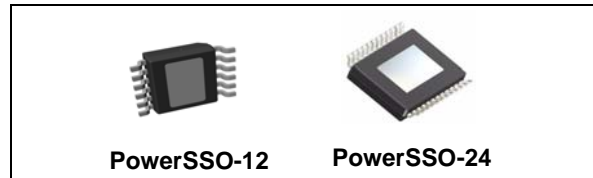
Double channel high side driver with analog current sense for automotive applications

Features

Max transient supply voltage	V_{CC}	41 V
Operating voltage range	V_{CC}	4.5 to 28 V
Max On-state resistance (per ch.)	R_{ON}	50 m Ω
Current limitation (typ)	I_{LIMH}	27 A
Off-state supply current	I_S	2 μ A ⁽¹⁾

1. Typical value with all loads connected.

- General
 - Inrush current active management by power limitation
 - Very low standby current
 - 3.0 V CMOS compatible inputs
 - Optimized electromagnetic emissions
 - Very low electromagnetic susceptibility
 - In compliance with the 2002/95/EC european directive
 - Very low current sense leakage
- Diagnostic functions
 - Proportional load current sense
 - High current sense precision for wide currents range
 - Current sense disable
 - Off-state open load detection
 - Output short to V_{CC} detection
 - Overload and short to ground (power limitation) indication
 - Thermal shutdown indication
- Protections
 - Undervoltage shutdown
 - Overvoltage clamp
 - Load current limitation
 - Self limiting of fast thermal transients
 - Protection against loss of ground and loss of V_{CC}
 - Over temperature shutdown with auto restart (thermal shutdown)



- Reverse battery protected (see [Figure 32](#))
- Electrostatic discharge protection

Applications

- All types of resistive, inductive and capacitive loads
- Suitable as LED driver

Description

The VND5E050AJ-E and VND5E050AK-E are double channel high-side drivers manufactured in the ST proprietary VIPower M0-5 technology and housed in the tiny PowerSSO-12 and PowerSSO-24 packages. The VND5E050AJ-E and VND5E050AK-E are designed to drive 12V automotive grounded loads delivering protection, diagnostics and easy 3V and 5V CMOS compatible interface with any microcontroller.

The devices integrate advanced protective functions such as load current limitation, inrush and overload active management by power limitation, over-temperature shut-off with auto-restart and over-voltage active clamp. A dedicated analog current sense pin is associated with every output channel in order to provide *Enhanced* diagnostic functions including fast detection of overload and short-circuit to ground through power limitation indication, over-temperature indication, short-circuit to V_{CC} diagnosis and on & off state open load detection.

The current sensing and diagnostic feedback of the whole device can be disabled by pulling the CS_DIS pin high to allow sharing of the external sense resistor with other similar devices.

Contents

1	Block diagram and pin description	6
2	Electrical specifications	8
2.1	Absolute maximum ratings	8
2.2	Thermal data	9
2.3	Electrical characteristics	9
2.4	Waveforms	19
2.5	Electrical characteristics curves	22
3	Application information	25
3.1	GND protection network against reverse battery	25
3.1.1	Solution 1: resistor in the ground line (RGND only)	25
3.1.2	Solution 2: diode (DGND) in the ground line	26
3.2	Load dump protection	26
3.3	MCU I/Os protection	26
3.4	Current sense and diagnostic	26
3.4.1	Short to VCC and off-state open load detection	27
3.5	Maximum demagnetization energy (VCC = 13.5V)	29
4	Package and PCB thermal data	30
4.1	PowerSSO-12 thermal data	30
4.2	PowerSSO-24 thermal data	32
5	Package and packing information	36
5.1	ECOPACK®	36
5.2	PowerSSO-12 package information	36
5.3	PowerSSO-24 package information	38
5.4	PowerSSO-12 packing information	40
5.5	PowerSSO-24 packing information	41
6	Order codes	42
7	Revision history	43

List of tables

Table 1.	Pin function	6
Table 2.	Suggested connections for unused and not connected pins	7
Table 3.	Absolute maximum ratings	8
Table 4.	Thermal data	9
Table 5.	Power section	9
Table 6.	Switching ($V_{CC} = 13V$; $T_j = 25^{\circ}C$)	10
Table 7.	Logic inputs	10
Table 8.	Protections and diagnostics	11
Table 9.	Current sense ($8V < V_{CC} < 18V$)	11
Table 10.	Open load detection ($8V < V_{CC} < 18V$)	13
Table 11.	Truth table	17
Table 12.	Electrical transient requirements (part 1)	18
Table 13.	Electrical transient requirements (part 2)	18
Table 14.	Electrical transient requirements (part 3)	18
Table 15.	Thermal parameters	32
Table 16.	Thermal parameters	35
Table 17.	PowerSSO-12 mechanical data	37
Table 18.	PowerSSO-24 mechanical data	39
Table 19.	Device summary	42
Table 20.	Document revision history	43

List of figures

Figure 1.	Block diagram	6
Figure 2.	Configuration diagram (top view)	7
Figure 3.	Current and voltage conventions	8
Figure 4.	Current sense delay characteristics	13
Figure 5.	Open load off-state delay timing	14
Figure 6.	Switching characteristics	14
Figure 7.	Delay response time between rising edge of output current and rising edge of current sense (CS enabled)	15
Figure 8.	Output voltage drop limitation	15
Figure 9.	I_{OUT}/I_{SENSE} vs I_{OUT}	16
Figure 10.	Maximum current sense ratio drift vs load current	16
Figure 11.	Normal operation	19
Figure 12.	Overload or short to GND	19
Figure 13.	Intermittent overload	20
Figure 14.	Off-state open load with external circuitry	20
Figure 15.	Short to V_{CC}	21
Figure 16.	T_J evolution in overload or short to GND	21
Figure 17.	Off-state output current	22
Figure 18.	High level input current	22
Figure 19.	Input clamp voltage	22
Figure 20.	Input low level	22
Figure 21.	Input high level	22
Figure 22.	Input hysteresis voltage	22
Figure 23.	On-state resistance vs T_{case}	23
Figure 24.	On-state resistance vs V_{CC}	23
Figure 25.	Undervoltage shutdown	23
Figure 26.	Turn-on voltage slope	23
Figure 27.	I_{LIMH} vs T_{case}	23
Figure 28.	Turn-off voltage slope	23
Figure 29.	CS_DIS high level voltage	24
Figure 30.	CS_DIS clamp voltage	24
Figure 31.	CS_DIS low level voltage	24
Figure 32.	Application schematic	25
Figure 33.	Current sense and diagnostic	27
Figure 34.	Maximum turn-off current versus inductance (for each channel)	29
Figure 35.	PowerSSO-12 PC board	30
Figure 36.	$R_{thj-amb}$ Vs. PCB copper area in open box free air condition (one channel ON)	30
Figure 37.	PowerSSO-12 thermal impedance junction ambient single pulse (one channel ON)	31
Figure 38.	Thermal fitting model of a double channel HSD in PowerSSO-12	31
Figure 39.	PowerSSO-24 PC board	32
Figure 40.	$R_{thj-amb}$ vs PCB copper area in open box free air condition (one channel ON)	33
Figure 41.	PowerSSO-24 thermal impedance junction ambient single pulse (one channel ON)	34
Figure 42.	Thermal fitting model of a double channel HSD in PowerSSO-24	34
Figure 43.	PowerSSO-12 package dimensions	36
Figure 44.	PowerSSO-24 package dimensions	38
Figure 45.	PowerSSO-12 tube shipment (no suffix)	40
Figure 46.	PowerSSO-12 tape and reel shipment (suffix "TR")	40
Figure 47.	PowerSSO-24 tube shipment (no suffix)	41

Figure 48. PowerSSO-24 tape and reel shipment (suffix “TR”) 41

1 Block diagram and pin description

Figure 1. Block diagram

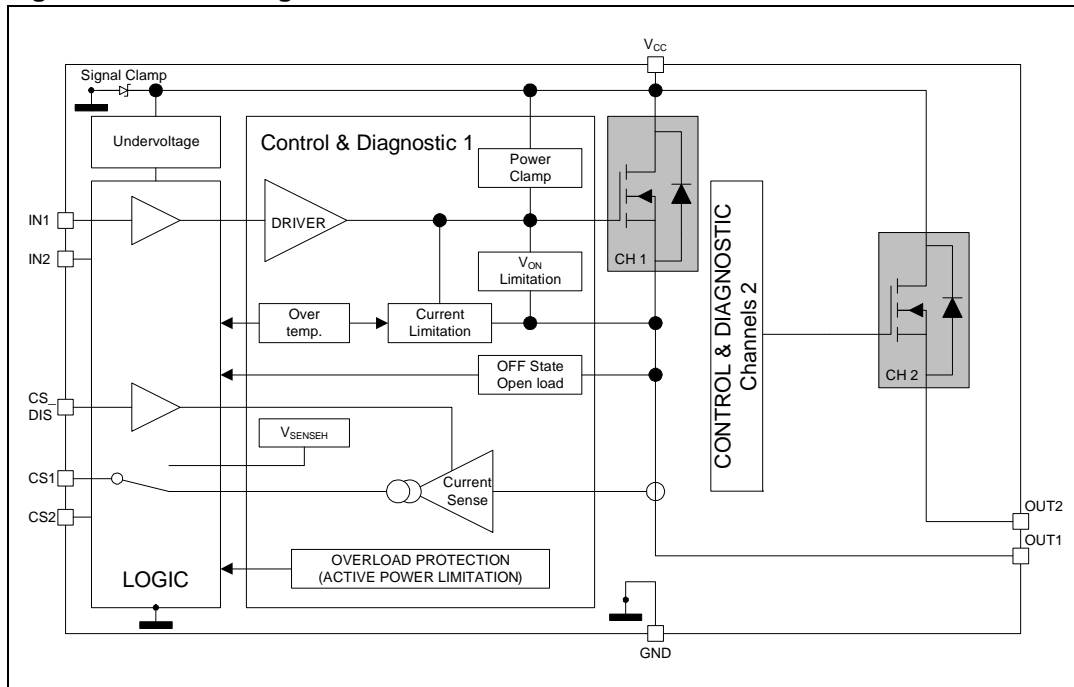


Table 1. Pin function

Name	Function
V _{CC}	Battery connection.
OUTPUT _{1,2}	Power output.
GND	Ground connection. Must be reverse battery protected by an external diode/resistor network.
INPUT _{1,2}	Voltage controlled input pin with hysteresis, CMOS compatible. Controls output switch state.
CURRENT SENSE _{1,2}	Analog current sense pin, delivers a current proportional to the load current.
CS_DIS	Active high CMOS compatible pin, to disable the current sense pin.

Figure 2. Configuration diagram (top view)

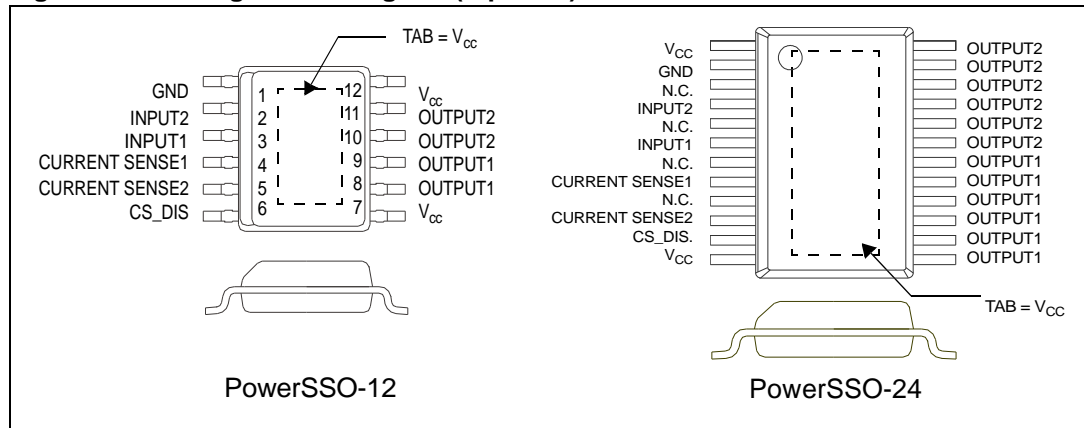
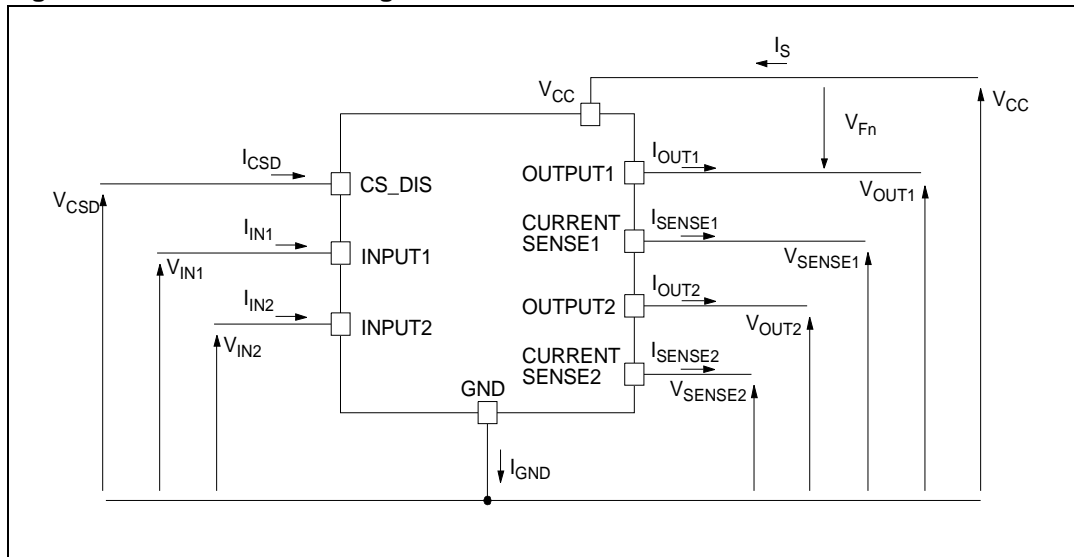


Table 2. Suggested connections for unused and not connected pins

Connection / pin	Current sense	N.C.	Output	Input	CS_DIS
Floating	Not allowed	X	X	X	X
To ground	Through 1 KΩ resistor	X	Through 22 KΩ resistor	Through 10 KΩ resistor	Through 10 KΩ resistor

2 Electrical specifications

Figure 3. Current and voltage conventions



Note: $V_{Fn} = V_{OUTn} - V_{CC}$ during reverse battery condition.

2.1 Absolute maximum ratings

Stressing the device above the rating listed in the “Absolute maximum ratings” table may cause permanent damage to the device. These are stress ratings only and operation of the device at these or any other conditions above those indicated in the Operating sections of this specification is not implied. Exposure to the conditions in table below for extended periods may affect device reliability. Refer also to the STMicroelectronics SURE Program and other relevant quality document.

Table 3. Absolute maximum ratings

Symbol	Parameter	Value	Unit
V_{CC}	DC supply voltage	41	V
$-V_{CC}$	Reverse DC supply voltage	0.3	V
$-I_{GND}$	DC reverse ground pin current	200	mA
I_{OUT}	DC output current	Internally limited	A
$-I_{OUT}$	Reverse DC output current	20	A
I_{IN}	DC input current	-1 to 10	mA
I_{CSDis}	DC current sense disable input current	-1 to 10	mA
$-I_{CSSENSE}$	DC reverse CS pin current	200	mA
$V_{CSSENSE}$	Current sense maximum voltage	$V_{CC} - 41$ to $+V_{CC}$	V

Table 3. Absolute maximum ratings (continued)

Symbol	Parameter	Value	Unit
E_{MAX}	Maximum switching energy (single pulse) ($L=3\text{mH}$; $R_L=0\Omega$; $V_{bat}=13.5\text{V}$; $T_{jstart}=150^\circ\text{C}$; $I_{OUT} = I_{limL}(Typ.)$)	104	mJ
V_{ESD}	Electrostatic discharge (human body model: $R=1.5\text{K}\Omega$; $C=100\text{pF}$)		
	– Input	4000	V
	– Current sense	2000	V
	– CS_DIS	4000	V
	– Output	5000	V
	– V_{CC}	5000	V
V_{ESD}	Charge device model (CDM-AEC-Q100-011)	750	V
T_j	Junction operating temperature	- 40 to 150	$^\circ\text{C}$
T_{stg}	Storage temperature	- 55 to 150	$^\circ\text{C}$

2.2 Thermal data

Table 4. Thermal data

Symbol	Parameter	Max value		Unit
		PowerSSO-12	PowerSSO-24	
$R_{thj-case}$	Thermal resistance junction-case (with one channel ON)	2.7	2.7	$^\circ\text{C/W}$
$R_{thj-amb}$	Thermal resistance junction-ambient	See Figure 36	See Figure 40	$^\circ\text{C/W}$

2.3 Electrical characteristics

Values specified in this section are for $8\text{V} < V_{CC} < 28\text{V}$; $-40^\circ\text{C} < T_j < 150^\circ\text{C}$, unless otherwise stated.

Table 5. Power section

Symbol	Parameter	Test conditions	Min.	Typ.	Max.	Unit
V_{CC}	Operating supply voltage		4.5	13	28	V
V_{USD}	Undervoltage shutdown			3.5	4.5	V
$V_{USDhyst}$	Undervoltage shutdown hysteresis			0.5		V
R_{ON}	On-state resistance ⁽¹⁾	$I_{OUT}=2\text{A}$; $T_j=25^\circ\text{C}$			50	m Ω
		$I_{OUT}=2\text{A}$; $T_j=150^\circ\text{C}$			100	
		$I_{OUT}=2\text{A}$; $V_{CC}=5\text{V}$; $T_j=25^\circ\text{C}$			65	
V_{clamp}	Clamp voltage	$I_S=20\text{mA}$	41	46	52	V

Table 5. Power section (continued)

Symbol	Parameter	Test conditions	Min.	Typ.	Max.	Unit
I_S	Supply current	Off-state; $V_{CC}=13V$; $T_j=25^\circ C$; $V_{IN}=V_{OUT}=V_{SENSE}=V_{CSD}=0V$		2 ⁽²⁾	5 ⁽²⁾	μA
		On-state; $V_{CC}=13V$; $V_{IN}=5V$; $I_{OUT}=0A$		3	6	mA
$I_{L(off1)}$	Off-state output current ⁽¹⁾	$V_{IN}=V_{OUT}=0V$; $V_{CC}=13V$; $T_j=25^\circ C$	0	0.01	3	μA
		$V_{IN}=V_{OUT}=0V$; $V_{CC}=13V$; $T_j=125^\circ C$	0		5	
V_F	Output - V_{CC} diode voltage ⁽¹⁾	$-I_{OUT}=4A$; $T_j=150^\circ C$			0.7	V

1. For each channel.
2. PowerMOS leakage included.

Table 6. Switching ($V_{CC} = 13V$; $T_j = 25^\circ C$)

Symbol	Parameter	Test conditions	Min.	Typ.	Max.	Unit
$t_{d(on)}$	Turn-on delay time	$R_L=6.5\Omega$ (see Figure 6)		20		μs
$t_{d(off)}$	Turn-off delay time	$R_L=6.5\Omega$ (see Figure 6)		45		μs
$dV_{OUT}/dt_{(on)}$	Turn-on voltage slope	$R_L=6.5\Omega$		See Figure 26		V/ μs
$dV_{OUT}/dt_{(off)}$	Turn-off voltage slope	$R_L=6.5\Omega$		See Figure 28		V/ μs
W_{ON}	Switching energy losses during t_{won}	$R_L=6.5\Omega$ (see Figure 6)		0.15		mJ
W_{OFF}	Switching energy losses during t_{woff}	$R_L=6.5\Omega$ (see Figure 6)		0.3		mJ

Table 7. Logic inputs

Symbol	Parameter	Test conditions	Min.	Typ.	Max.	Unit
V_{IL}	Input low level voltage				0.9	V
I_{IL}	Low level input current	$V_{IN}=0.9V$	1			μA
V_{IH}	Input high level voltage		2.1			V
I_{IH}	High level input current	$V_{IN}=2.1V$			10	μA
$V_{I(hyst)}$	Input hysteresis voltage		0.25			V
V_{ICL}	Input clamp voltage	$I_{IN}=1mA$	5.5		7	V
		$I_{IN}=-1mA$		-0.7		
V_{CSDL}	CS_DIS low level voltage				0.9	V
I_{CSDL}	Low level CS_DIS current	$V_{CSD}=0.9V$	1			μA

Table 7. Logic inputs (continued)

Symbol	Parameter	Test conditions	Min.	Typ.	Max.	Unit
V_{CSDH}	CS_DIS high level voltage		2.1			V
I_{CSDH}	High level CS_DIS current	$V_{CSD}=2.1V$			10	μA
$V_{CSD(hyst)}$	CS_DIS hysteresis voltage		0.25			V
V_{CSCL}	CS_DIS clamp voltage	$I_{CSD}=1mA$	5.5		7	V
		$I_{CSD}=-1mA$		-0.7		

Table 8. Protections and diagnostics (1)

Symbol	Parameter	Test conditions	Min.	Typ.	Max.	Unit
I_{limH}	DC short circuit current	$V_{CC}=13V$ $5V < V_{CC} < 28V$	19	27	38	A
					38	A
I_{limL}	Short circuit current during thermal cycling	$V_{CC}=13V$ $T_R < T_j < T_{TSD}$		7		A
T_{TSD}	Shutdown temperature		150	175	200	$^{\circ}C$
T_R	Reset temperature		$T_{RS}+1$	$T_{RS}+5$		$^{\circ}C$
T_{RS}	Thermal reset of status		135			$^{\circ}C$
T_{HYST}	Thermal hysteresis ($T_{TSD}-T_R$)			7		$^{\circ}C$
V_{DEMAG}	Turn-off output voltage clamp	$I_{OUT}=2A$; $V_{IN}=0$; $L=6mH$	$V_{CC}-41$	$V_{CC}-46$	$V_{CC}-52$	V
V_{ON}	Output voltage drop limitation	$I_{OUT}=0.1A$; $T_j=-40^{\circ}C...+150^{\circ}C$ (see Figure 8)		25		mV

1. To ensure long term reliability under heavy overload or short circuit conditions, protection and related diagnostic signals must be used together with a proper software strategy. If the device is subjected to abnormal conditions, this software must limit the duration and number of activation cycles.

Table 9. Current sense ($8V < V_{CC} < 18V$)

Symbol	Parameter	Test conditions	Min.	Typ.	Max.	Unit
K_0	I_{OUT}/I_{SENSE}	$I_{OUT}=0.05A$; $V_{SENSE}=0.5V$; $V_{CSD}=0V$; $T_j=-40^{\circ}C...150^{\circ}C$	1440	2250	3630	
K_1	I_{OUT}/I_{SENSE}	$I_{OUT}=1A$; $V_{SENSE}=4V$; $V_{CSD}=0V$; $T_j=-40^{\circ}C...150^{\circ}C$ $T_j=25^{\circ}C...150^{\circ}C$	1740	2070	2820	
			1750	2070	2562	
$dK_1/K_1^{(1)}$	Current sense ratio drift	$I_{OUT}=1A$; $V_{SENSE}=4V$; $V_{CSD}=0V$; $T_j=-40^{\circ}C$ to $150^{\circ}C$	-15		15	%

Table 9. Current sense ($8V < V_{CC} < 18V$) (continued)

Symbol	Parameter	Test conditions	Min.	Typ.	Max.	Unit
K_2	I_{OUT}/I_{SENSE}	$I_{OUT}=2A; V_{SENSE}=4V; V_{CSD}=0V;$ $T_j=-40^{\circ}C...150^{\circ}C$ $T_j=25^{\circ}C...150^{\circ}C$	1900 1899	2000 2000	2395 2282	
$dK_2/K_2^{(1)}$	Current sense ratio drift	$I_{OUT}=2A; V_{SENSE}=4V;$ $V_{CSD}=0V;$ $T_j=-40^{\circ}C$ to $150^{\circ}C$	-9		9	%
K_3	I_{OUT}/I_{SENSE}	$I_{OUT}=4A; V_{SENSE}=4V; V_{CSD}=0V;$ $T_j=-40^{\circ}C...150^{\circ}C$ $T_j=25^{\circ}C...150^{\circ}C$	1969 1950	1990 1990	2210 2153	
$dK_3/K_3^{(1)}$	Current sense ratio drift	$I_{OUT}=4A; V_{SENSE}=4V;$ $V_{CSD}=0V;$ $T_j=-40^{\circ}C$ to $150^{\circ}C$	-6		6	%
I_{SENSE0}	Analog sense leakage current	$I_{OUT}=0A; V_{SENSE}=0V;$ $V_{CSD}=5V; V_{IN}=0V; T_j=-40^{\circ}C...150^{\circ}C$	0		1	μA
		$V_{CSD}=0V; V_{IN}=5V; T_j=-40^{\circ}C...150^{\circ}C$	0		2	
		$I_{OUT}=2A; V_{SENSE}=0V;$ $V_{CSD}=5V; V_{IN}=5V; T_j=-40^{\circ}C...150^{\circ}C$	0		1	
I_{OL}	Open load on-state current detection threshold	$V_{IN}=5V, 8V < V_{CC} < 18V$ $I_{SENSE}=5\mu A$	4		20	mA
V_{SENSE}	Max analog sense output voltage	$I_{OUT}=4A; V_{CSD}=0V$	5			V
V_{SENSEH}	Analog sense output voltage in fault condition ⁽²⁾	$V_{CC}=13V; R_{SENSE}=3.9K\Omega$		8		V
I_{SENSEH}	Analog sense output current in fault condition ⁽²⁾	$V_{CC}=13V; V_{SENSE}=5V$		9		mA
$t_{DSENSE1H}$	Delay response time from falling edge of CS_DIS pin	$V_{SENSE}<4V, 0.5A < I_{OUT} < 4A$ $I_{SENSE}=90\%$ of $I_{SENSEMAX}$ (see Figure 4)		40	100	μs
$t_{DSENSE1L}$	Delay response time from rising edge of CS_DIS pin	$V_{SENSE}<4V, 0.5A < I_{OUT} < 4A$ $I_{SENSE}=10\%$ of $I_{SENSEMAX}$ (see Figure 4)		5	20	μs
$t_{DSENSE2H}$	Delay response time from rising edge of INPUT pin	$V_{SENSE}<4V, 0.5A < I_{OUT} < 4A$ $I_{SENSE}=90\%$ of $I_{SENSEMAX}$ (see Figure 4)		80	250	μs

Table 9. Current sense (8V<V_{CC}<18V) (continued)

Symbol	Parameter	Test conditions	Min.	Typ.	Max.	Unit
$\Delta t_{DSENSE2H}$	Delay response time between rising edge of output current and rising edge of current sense	$V_{SENSE} < 4V$, $I_{SENSE} = 90\%$ of $I_{SENSEMAX}$, $I_{OUT} = 90\%$ of I_{OUTMAX} $I_{OUTMAX} = 2A$ (see Figure 7)			40	μs
$t_{DSENSE2L}$	Delay response time from falling edge of INPUT pin	$V_{SENSE} < 4V$, $0.5A < I_{out} < 4A$ $I_{SENSE} = 10\%$ of $I_{SENSEMAX}$ (see Figure 4)		80	250	μs

1. Parameter guaranteed by design; it is not tested.
2. Fault condition includes: power limitation, over temperature and open load off-state detection.

Table 10. Open load detection (8V<V_{CC}<18V)

Symbol	Parameter	Test conditions	Min.	Typ.	Max.	Unit
V_{OL}	Open load off-state voltage detection threshold	$V_{IN} = 0V$	2	See Figure 5	4	V
t_{DSTKON}	Output short circuit to V_{CC} detection delay at turn-off	See Figure 5	180		1200	μs
$I_{L(off2)r}$	Off-state output current at $V_{OUT} = 4V$	$V_{IN} = 0V$; $V_{SENSE} = 0V$ V_{OUT} rising from 0V to 4V	-120		0	μA
$I_{L(off2)f}$	Off-state output current at $V_{OUT} = 2V$	$V_{IN} = 0V$; $V_{SENSE} = V_{SENSEH}$ V_{OUT} falling from V_{CC} to 2V	-50		90	μA
t_{d_vol}	Delay response from output rising edge to V_{SENSE} rising edge in open load	$V_{OUT} = 4V$; $V_{IN} = 0V$ $V_{SENSE} = 90\%$ of V_{SENSEH}			20	μs

Figure 4. Current sense delay characteristics

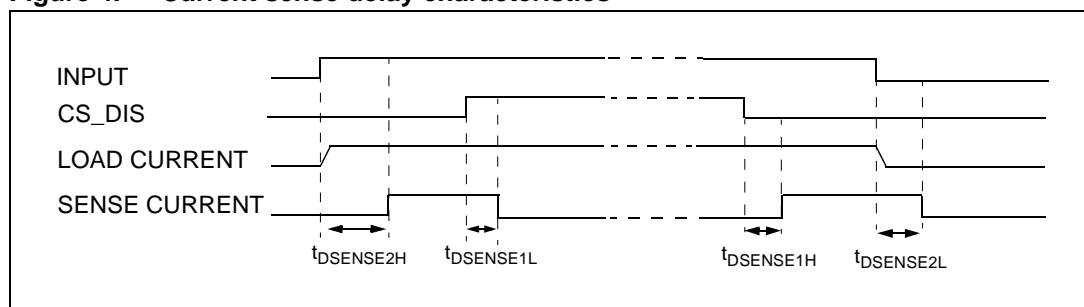


Figure 5. Open load off-state delay timing

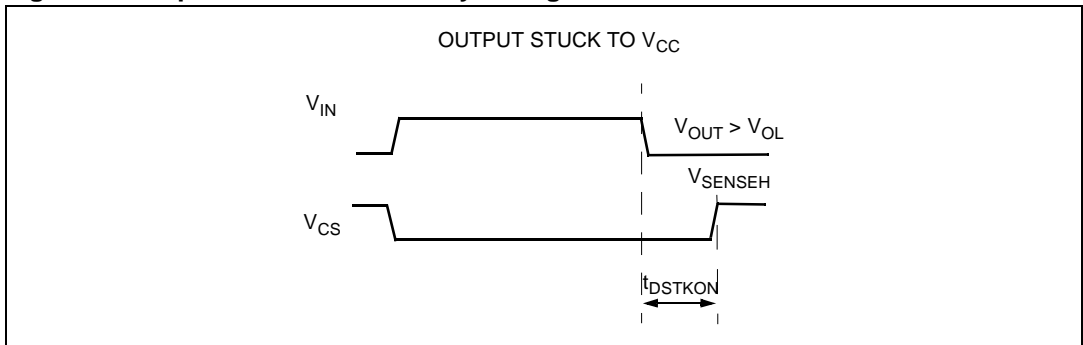


Figure 6. Switching characteristics

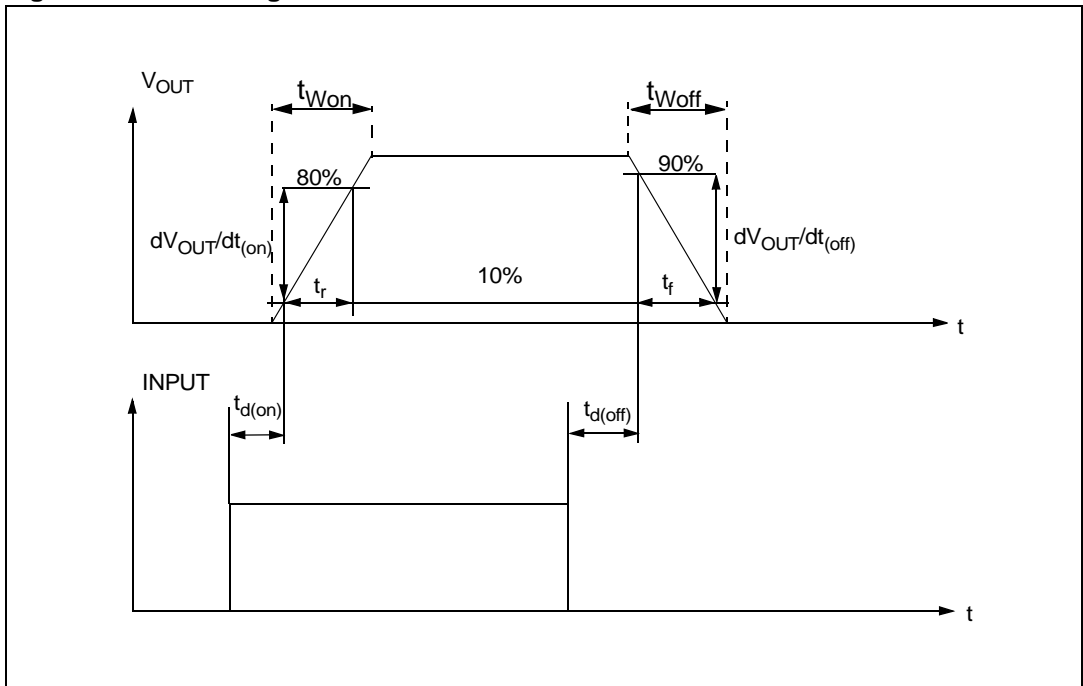


Figure 7. Delay response time between rising edge of output current and rising edge of current sense (CS enabled)

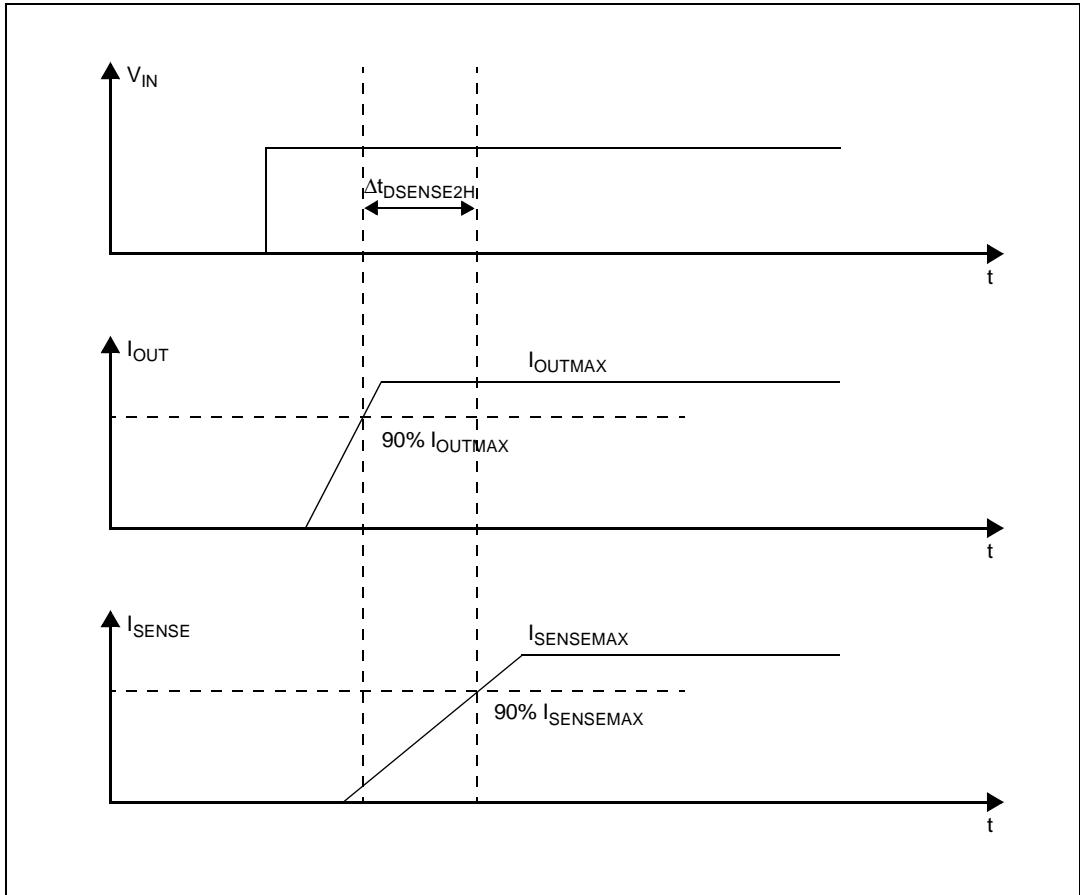


Figure 8. Output voltage drop limitation

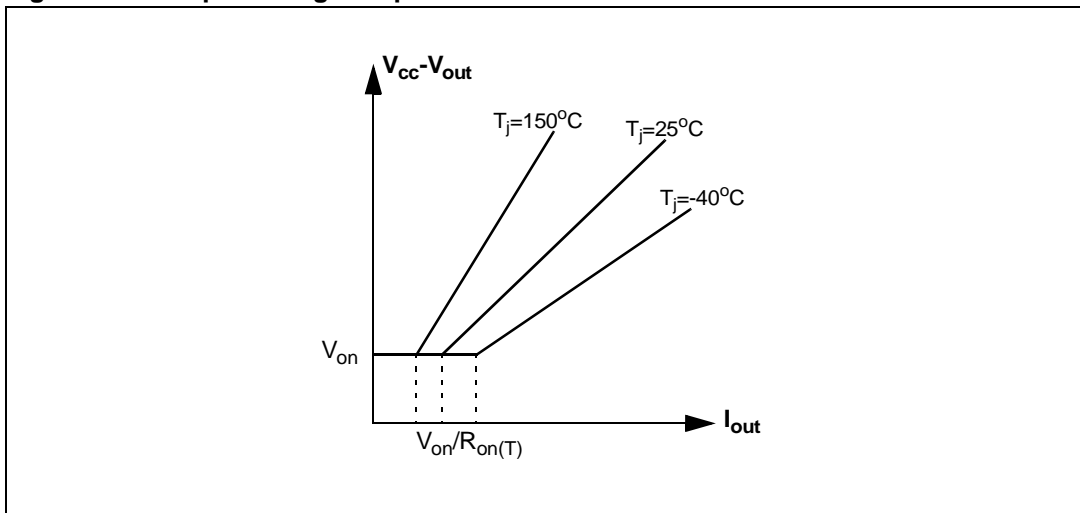


Figure 9. I_{OUT}/I_{SENSE} vs I_{OUT}

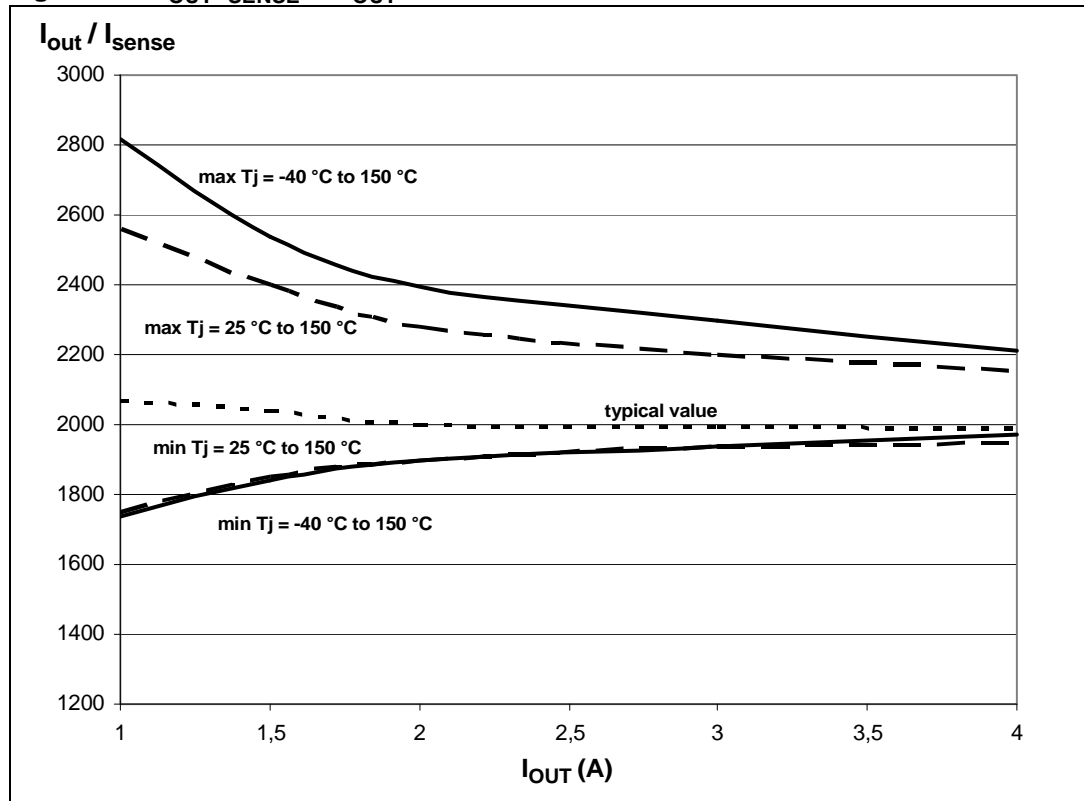
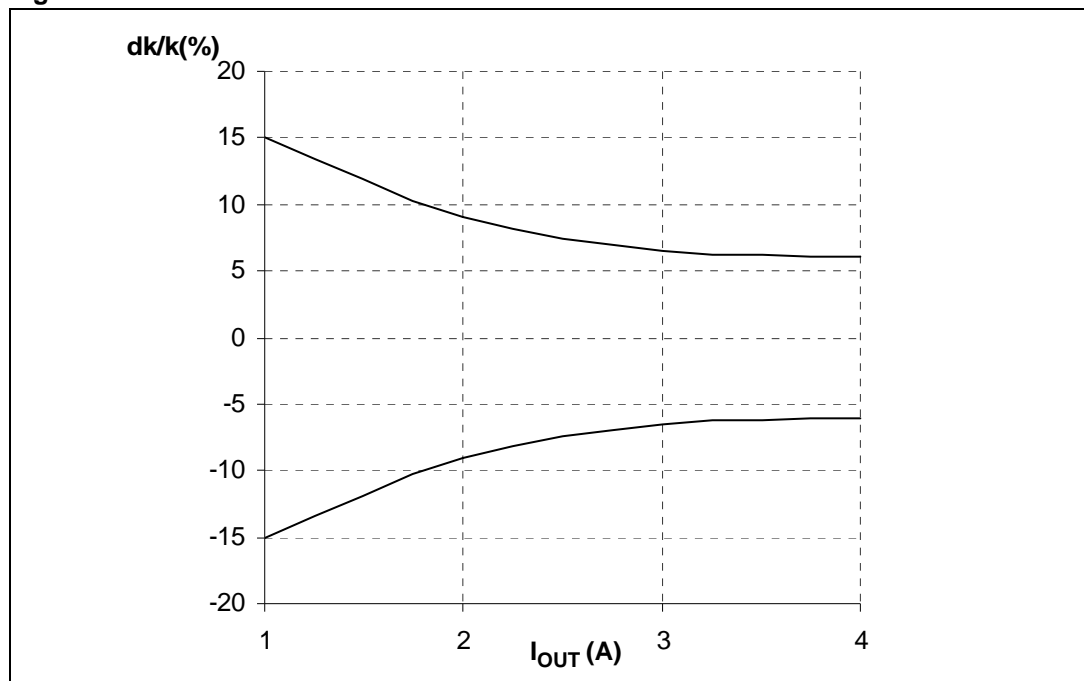


Figure 10. Maximum current sense ratio drift vs load current



Note: Parameter guaranteed by design; it is not tested.

Table 11. Truth table

Conditions	Input	Output	Sense ($V_{CSD}=0V$) ⁽¹⁾
Normal operation	L	L	0
	H	H	Nominal
Overtemperature	L	L	0
	H	L	V_{SENSEH}
Undervoltage	L	L	0
	H	L	0
Overload	H	X (no power limitation)	Nominal
	H	Cycling (power limitation)	V_{SENSEH}
Short circuit to GND (power limitation)	L	L	0
	H	L	V_{SENSEH}
Open load off-state (with external pull-up)	L	H	V_{SENSEH}
Short circuit to V_{CC} (external pull-up disconnected)	L	H	V_{SENSEH}
	H	H	V_{SENSEH} < Nominal
Negative output voltage clamp	L	L	0

1. If the V_{CSD} is high, the SENSE output is at a high impedance, its potential depends on leakage currents and external circuit.

Table 12. Electrical transient requirements (part 1)

ISO 7637-2: 2004(E) test pulse	Test levels ⁽¹⁾		Number of pulses or test times	Burst cycle/pulse repetition time		Delays and Impedance
	III	IV		Min.	Max.	
1	-75V	-100V	5000 pulses	0.5s	5s	2 ms, 10Ω
2a	+37V	+50V	5000 pulses	0.2s	5s	50μs, 2Ω
3a	-100V	-150V	1h	90ms	100ms	0.1μs, 50Ω
3b	+75V	+100V	1h	90ms	100ms	0.1μs, 50Ω
4	-6V	-7V	1 pulse			100ms, 0.01Ω
5b ⁽²⁾	+65V	+87V	1 pulse			400ms, 2Ω

1. The above test levels must be considered referred to $V_{CC} = 13.5V$ except for pulse 5b.
2. Valid in case of external load dump clamp: 40V maximum referred to ground.

Table 13. Electrical transient requirements (part 2)

ISO 7637-2: 2004E test pulse	Test level results	
	III	VI
1	C	C
2a	C	C
3a	C	C
3b	C	C
4	C	C
5b ⁽¹⁾	C	C

1. Valid in case of external load dump clamp: 40V maximum referred to ground.

Table 14. Electrical transient requirements (part 3)

Class	Contents
C	All functions of the device performed as designed after exposure to disturbance.
E	One or more functions of the device did not perform as designed after exposure to disturbance and cannot be returned to proper operation without replacing the device.

2.4 Waveforms

Figure 11. Normal operation

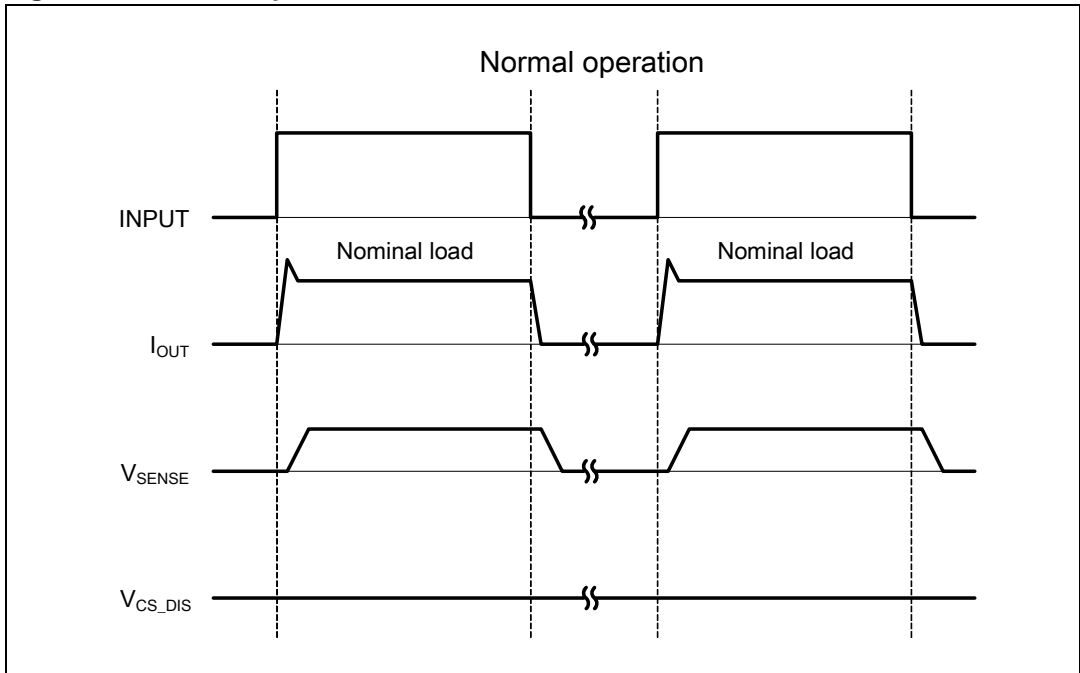


Figure 12. Overload or short to GND

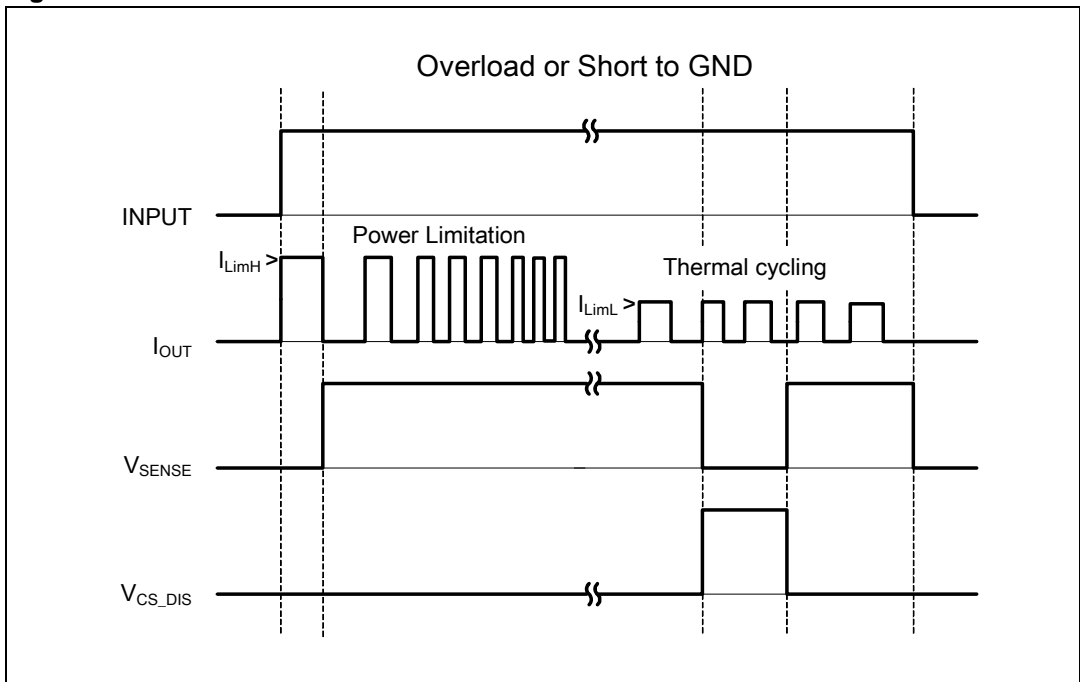


Figure 13. Intermittent overload

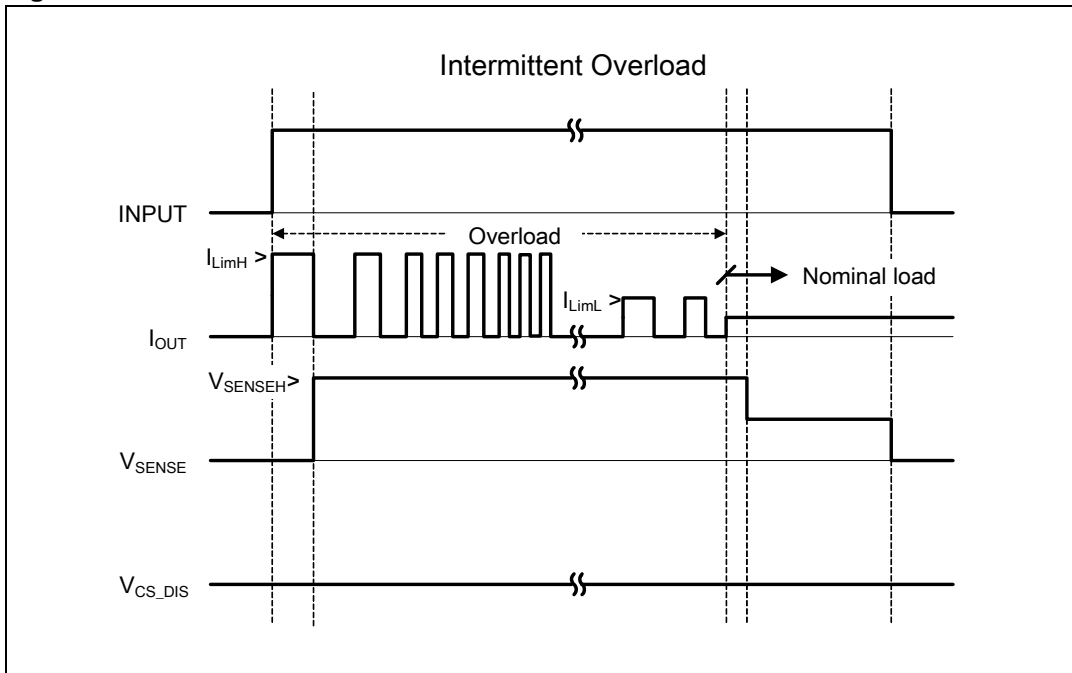


Figure 14. Off-state open load with external circuitry

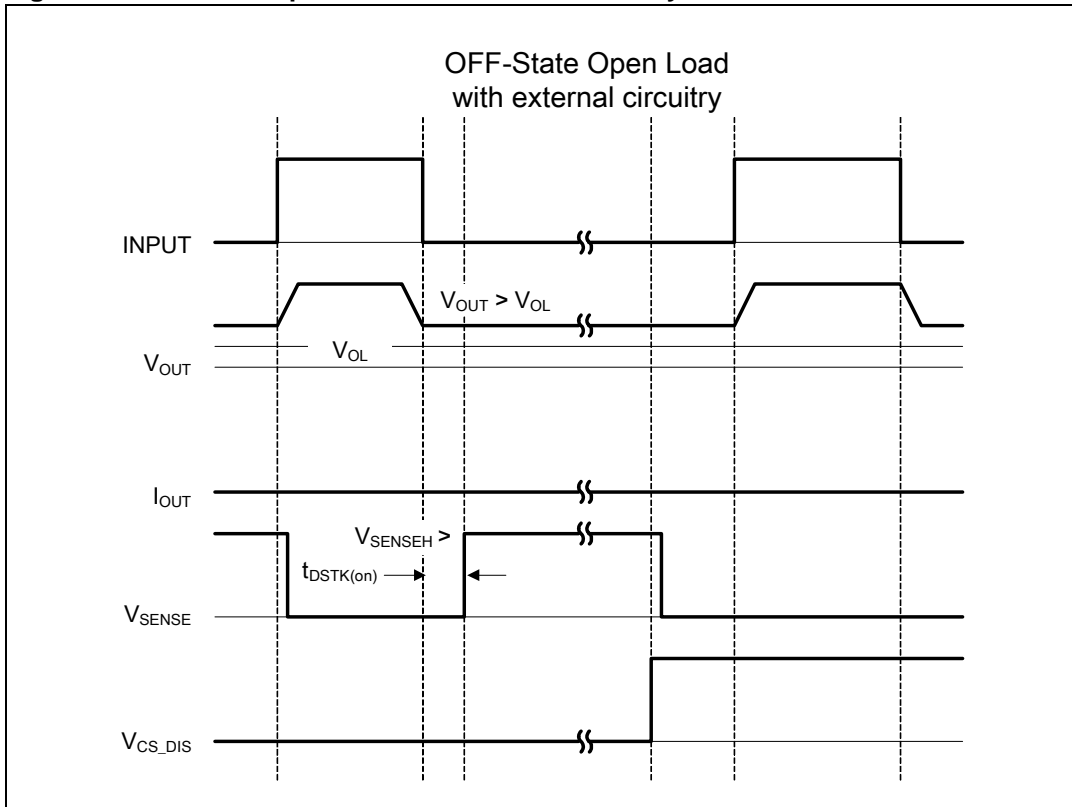


Figure 15. Short to V_{CC}

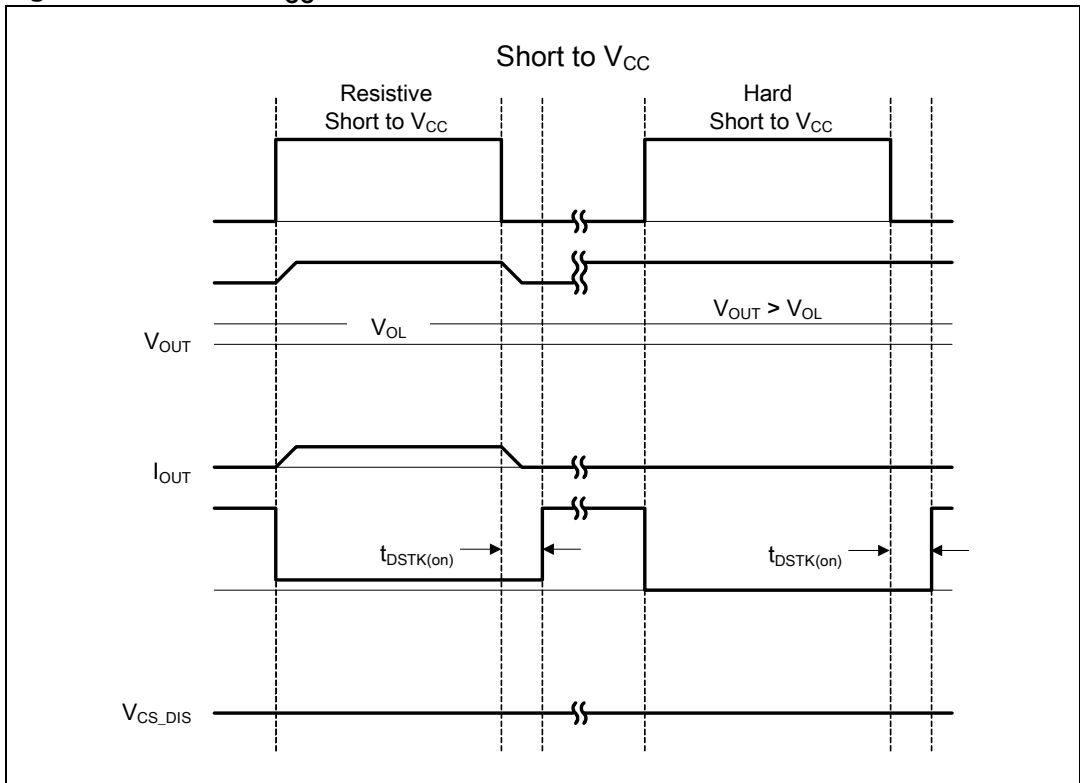
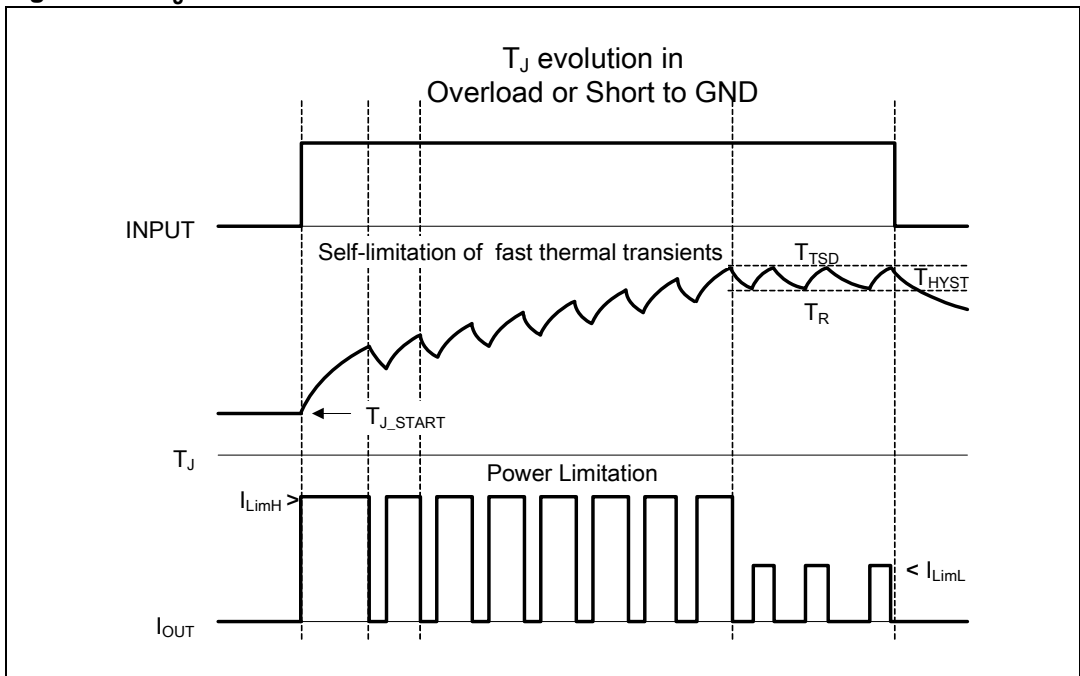


Figure 16. T_J evolution in overload or short to GND



2.5 Electrical characteristics curves

Figure 17. Off-state output current

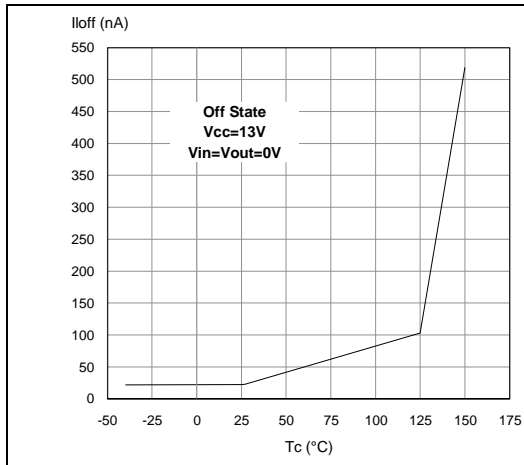


Figure 18. High level input current

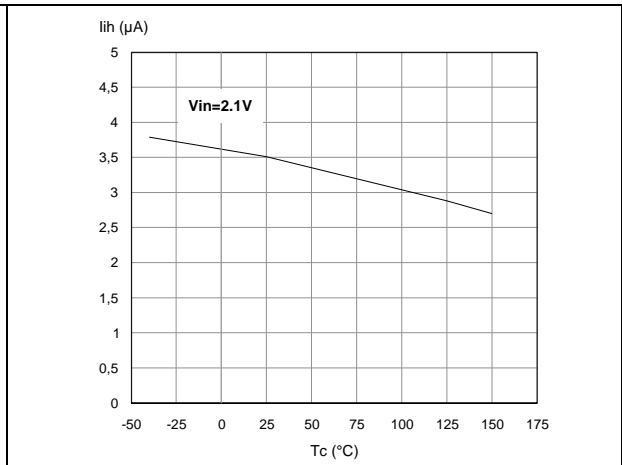


Figure 19. Input clamp voltage

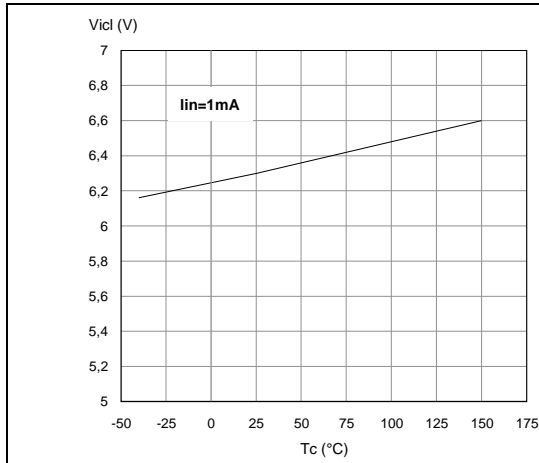


Figure 20. Input low level

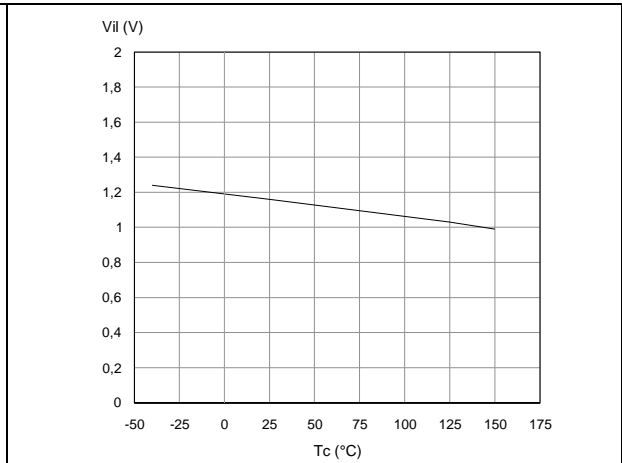


Figure 21. Input high level

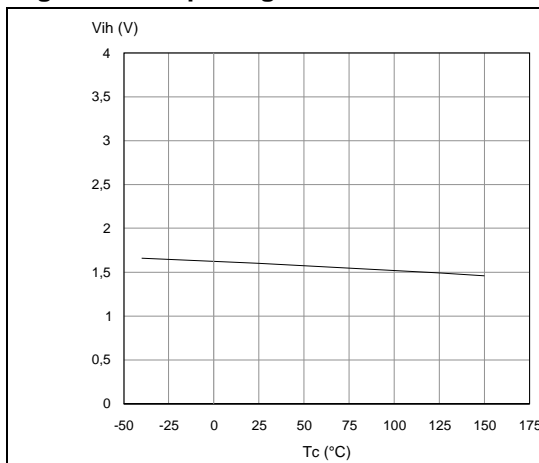


Figure 22. Input hysteresis voltage

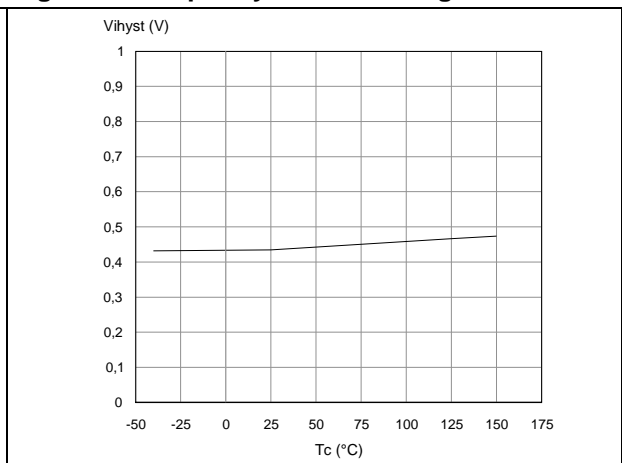


Figure 23. On-state resistance vs T_{case}

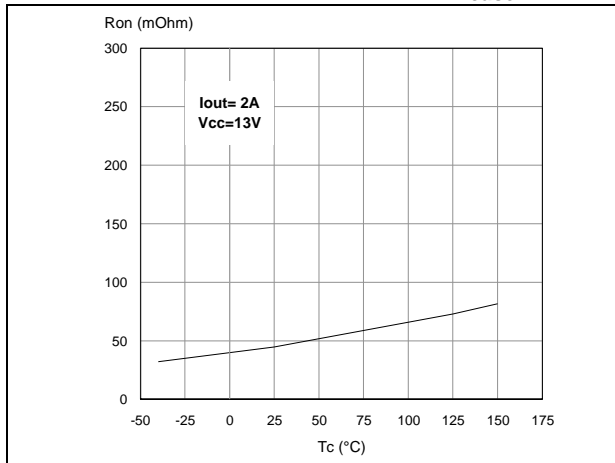


Figure 24. On-state resistance vs V_{CC}

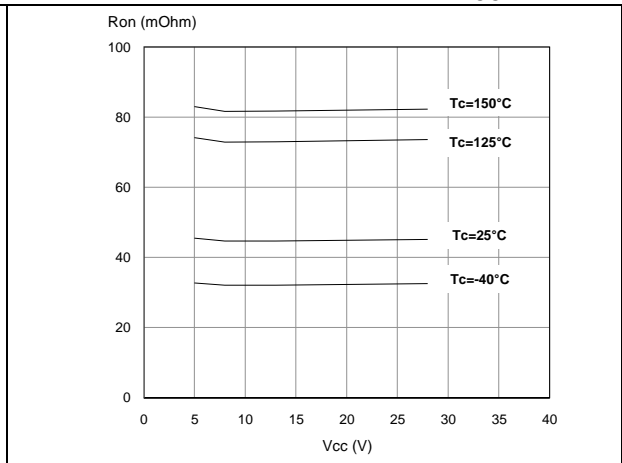


Figure 25. Undervoltage shutdown

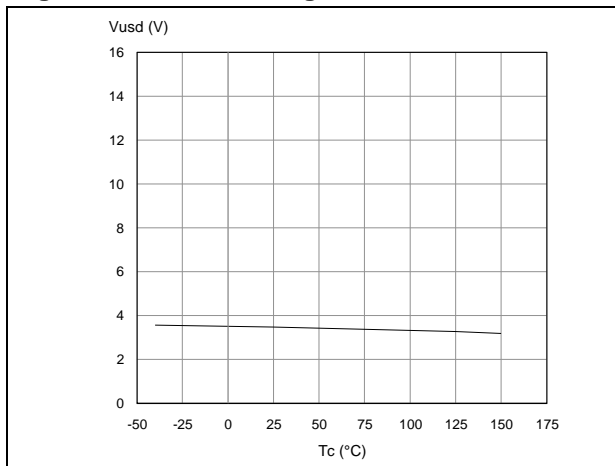


Figure 26. Turn-on voltage slope

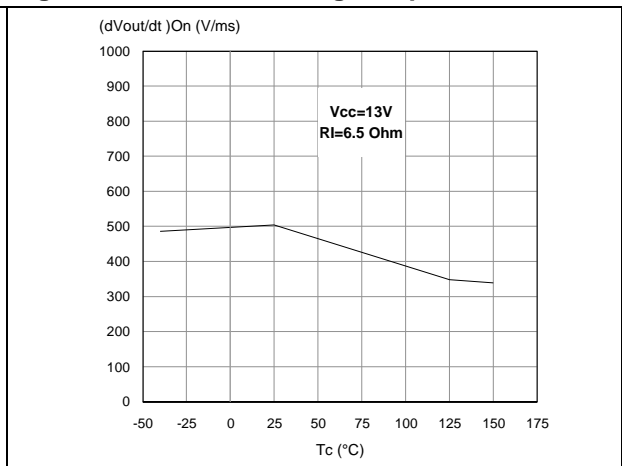


Figure 27. I_{LIMH} vs T_{case}

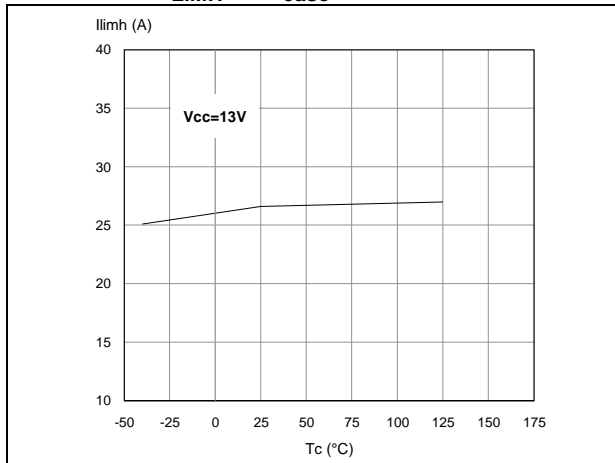


Figure 28. Turn-off voltage slope

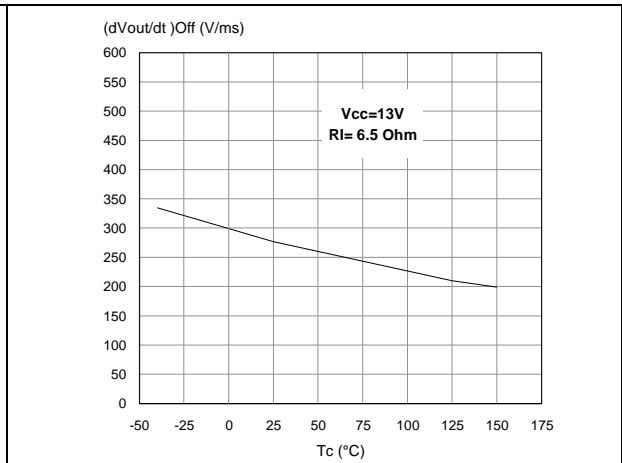


Figure 29. CS_DIS high level voltage

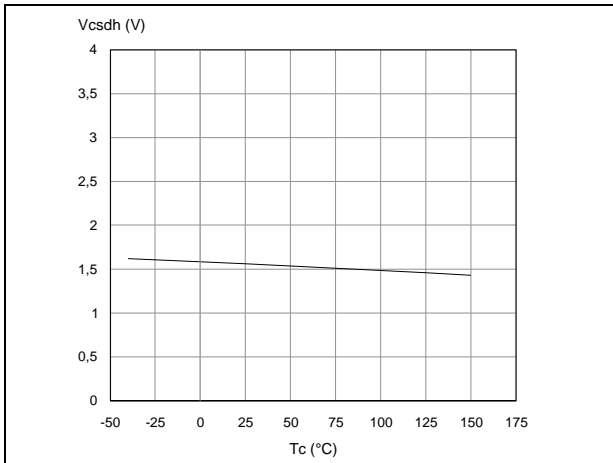


Figure 30. CS_DIS clamp voltage

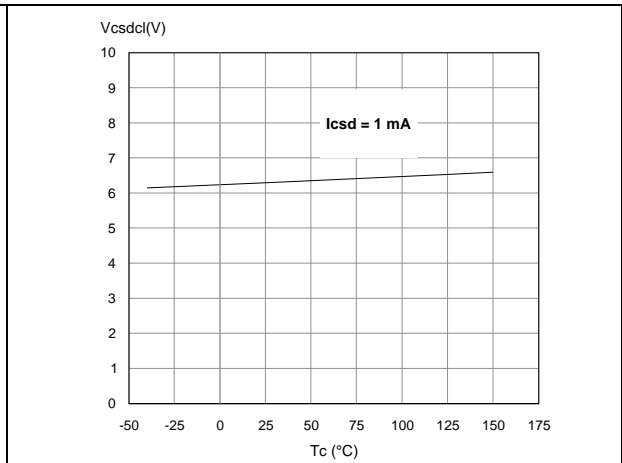
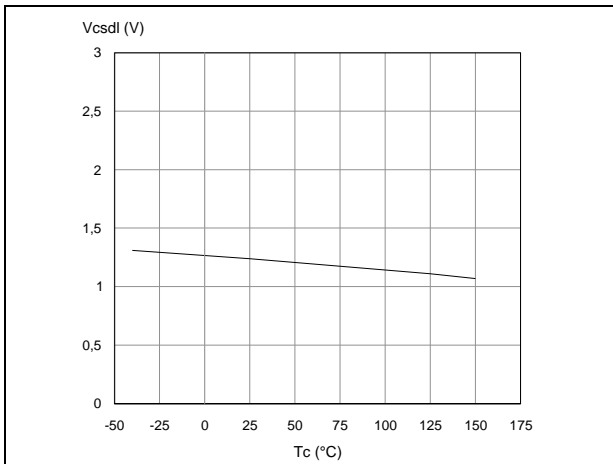
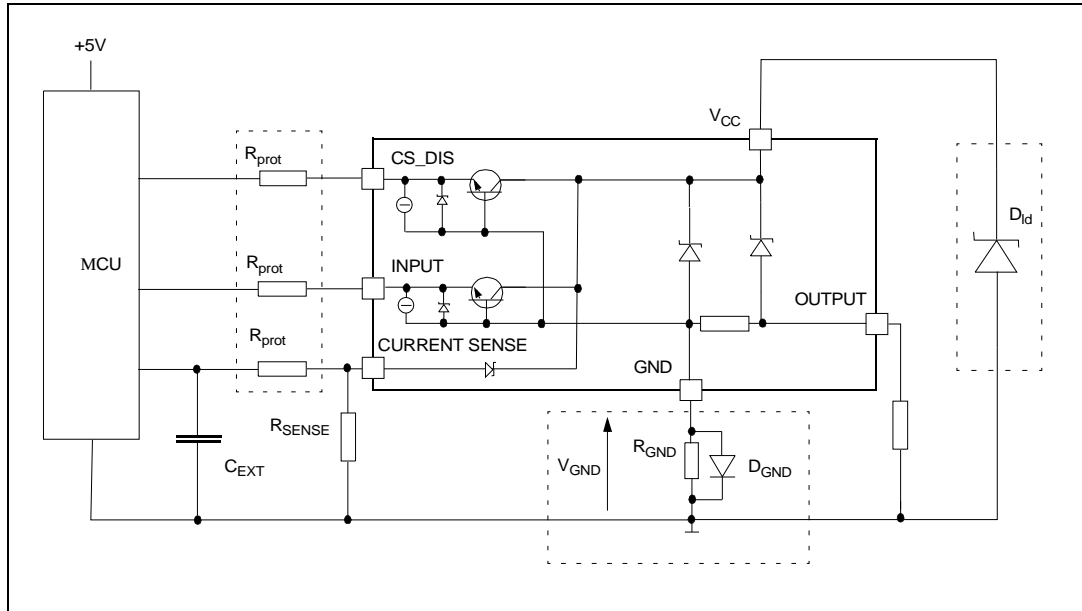


Figure 31. CS_DIS low level voltage



3 Application information

Figure 32. Application schematic



Note: Channel 2 has the same internal circuit as channel 1.

3.1 GND protection network against reverse battery

This section provides two solutions for implementing a ground protection network against reverse battery.

3.1.1 Solution 1: resistor in the ground line (R_{GND} only)

This can be used with any type of load.

The following is an indication on how to dimension the R_{GND} resistor.

1. $R_{GND} \leq 600\text{mV} / (I_{S(on)max})$
2. $R_{GND} \geq (-V_{CC}) / (-I_{GND})$

where $-I_{GND}$ is the DC reverse ground pin current and can be found in the absolute maximum rating section of the device datasheet.

Power dissipation in R_{GND} (when $V_{CC} < 0$: during reverse battery situations) is:

$$P_D = (-V_{CC})^2 / R_{GND}$$

This resistor can be shared amongst several different HSDs. Please note that the value of this resistor should be calculated with formula (1) where $I_{S(on)max}$ becomes the sum of the maximum on-state currents of the different devices.

Please note that if the microprocessor ground is not shared by the device ground then the R_{GND} will produce a shift ($I_{S(on)max} * R_{GND}$) in the input thresholds and the status output values. This shift will vary depending on how many devices are on in the case of several high side drivers sharing the same R_{GND}.

If the calculated power dissipation leads to a large resistor or several devices have to share the same resistor then ST suggests to utilize [Section 3.1.2: Solution 2: diode \(D_{GND}\) in the ground line](#).

3.1.2 Solution 2: diode (D_{GND}) in the ground line

A resistor (R_{GND}=1kΩ) should be inserted in parallel to D_{GND} if the device drives an inductive load.

This small signal diode can be safely shared amongst several different HSDs. Also in this case, the presence of the ground network will produce a shift (≈600mV) in the input threshold and in the status output values if the microprocessor ground is not common to the device ground. This shift will not vary if more than one HSD shares the same diode/resistor network.

3.2 Load dump protection

D_{ld} is necessary (voltage transient suppressor) if the load dump peak voltage exceeds the V_{CC} max DC rating. The same applies if the device is subject to transients on the V_{CC} line that are greater than the ones shown in the ISO 7637-2: 2004(E) table.

3.3 MCU I/Os protection

If a ground protection network is used and negative transient are present on the V_{CC} line, the control pins will be pulled negative. ST suggests to insert a resistor (R_{prot}) in line to prevent the μC I/Os pins to latch-up.

The value of these resistors is a compromise between the leakage current of μC and the current required by the HSD I/Os (Input levels compatibility) with the latch-up limit of μC I/Os:

$$-V_{CCpeak}/I_{latchup} \leq R_{prot} \leq (V_{OH\mu C} - V_{IH} - V_{GND}) / I_{IHmax}$$

Calculation example:

$$\text{For } V_{CCpeak} = -100V \text{ and } I_{latchup} \geq 20mA; V_{OH\mu C} \geq 4.5V$$

$$5k\Omega \leq R_{prot} \leq 180k\Omega$$

Recommended values: R_{prot} = 10kΩ, C_{EXT} = 10nF.

3.4 Current sense and diagnostic

The current sense pin performs a double function (see [Figure 33: Current sense and diagnostic](#)):

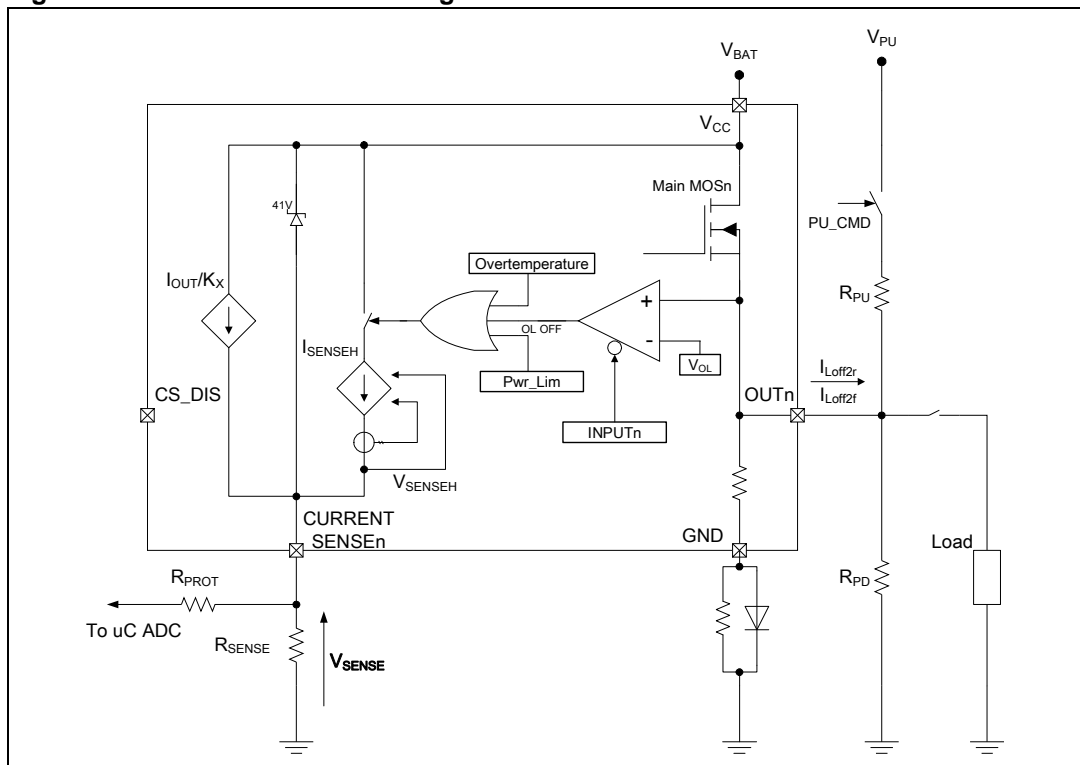
- **Current mirror of the load current in normal operation**, delivering a current proportional to the load one according to a know ratio **K_x**.
The current I_{SENSE} can be easily converted to a voltage V_{SENSE} by means of an external resistor R_{SENSE}. Linearity between I_{OUT} and V_{SENSE} is ensured up to 5V minimum (see parameter V_{SENSE} in [Table 9: Current sense \(8V < V_{CC} < 18V\)](#)). The current sense accuracy depends on the output current (refer to current sense electrical

characteristics [Table 9: Current sense \(8V <math><V_{CC}</math> <math><18V</math>\)](#)).

- **Diagnostic flag in fault conditions**, delivering a fixed voltage V_{SENSEH} up to a maximum current I_{SENSEH} in case of the following fault conditions (refer to):
 - Power limitation activation
 - Over-temperature
 - Short to V_{CC} in off-state
 - Open load in off-state with additional external components.

A logic level high on CS_DIS pin sets at the same time all the current sense pins of the device in a high impedance state, thus disabling the current monitoring and diagnostic detection. This feature allows multiplexing of the microcontroller analog inputs by sharing of sense resistance and ADC line among different devices.

Figure 33. Current sense and diagnostic



3.4.1 Short to V_{CC} and off-state open load detection

Short to V_{CC}

A short circuit between V_{CC} and output is indicated by the relevant current sense pin set to V_{SENSEH} during the device off-state. Small or no current is delivered by the current sense during the on-state depending on the nature of the short circuit.

Off-state open load with external circuitry

Detection of an open load in off mode requires an external pull-up resistor R_{PU} connecting the output to a positive supply voltage V_{PU} .

It is preferable V_{PU} to be switched off during the module stand-by mode in order to avoid the overall stand-by current consumption to increase in normal conditions, i.e. when load is connected.

An external pull down resistor R_{PD} connected between output and GND is mandatory to avoid misdetection in case of floating outputs in off-state (see [Figure 33: Current sense and diagnostic](#)).

R_{PD} must be selected in order to ensure $V_{OUT} < V_{OLmin}$ unless pulled up by the external circuitry:

$$V_{OUT}|_{Pull-up_OFF} = R_{PD} \cdot I_{L(off)2f} < V_{OLmin} = 2V$$

$R_{PD} \leq 22 \text{ K}\Omega$ is recommended.

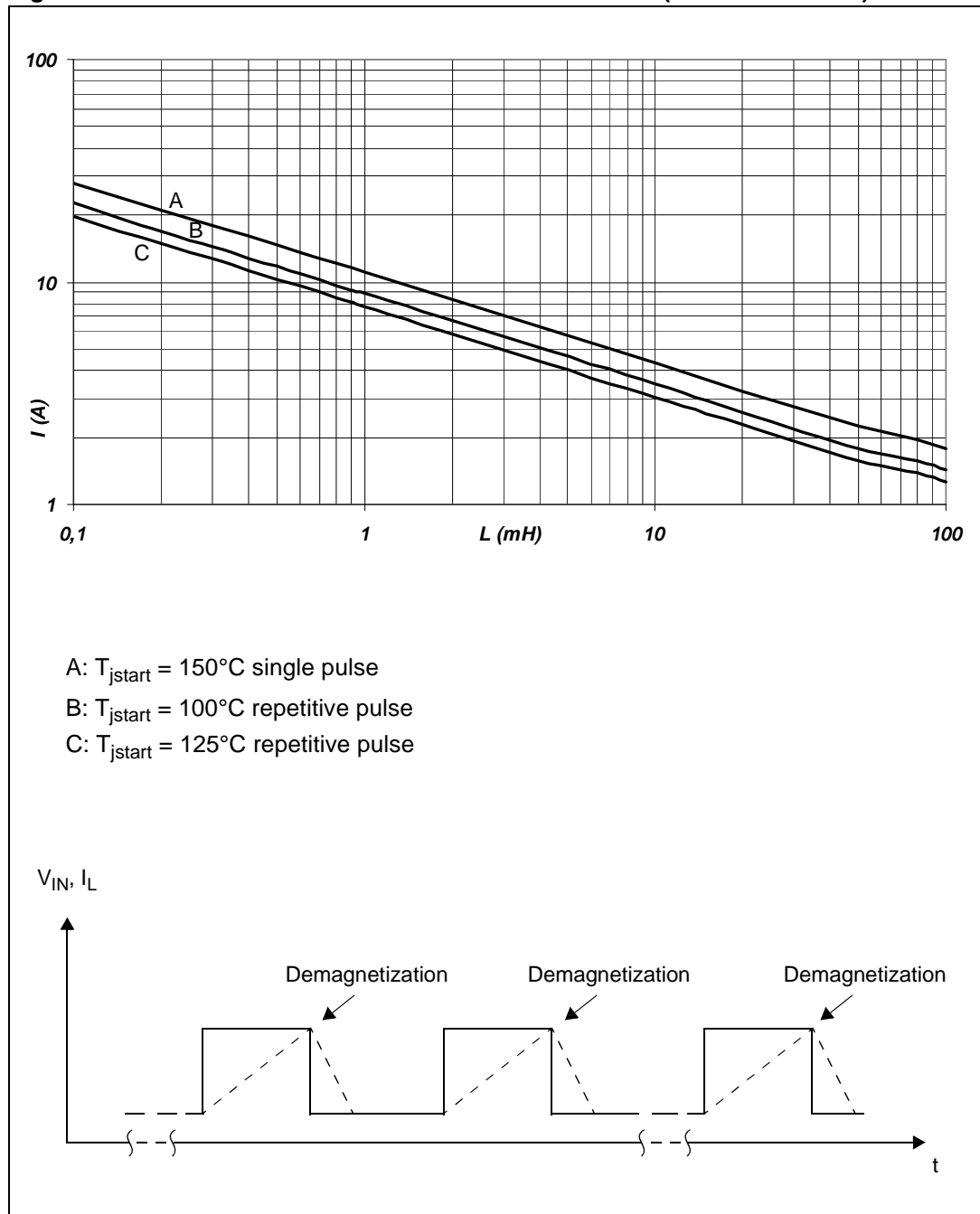
For proper open load detection in off-state, the external pull-up resistor must be selected according to the following formula:

$$V_{OUT}|_{Pull-up_ON} = \frac{R_{PD} \cdot V_{PU} - R_{PU} \cdot R_{PD} \cdot I_{L(off)2r}}{R_{PU} + R_{PD}} > V_{OLmax} = 4V$$

For the values of V_{OLmin} , V_{OLmax} , $I_{L(off)2r}$ and $I_{L(off)2f}$ see [Table 10: Open load detection \(\$8V < V_{CC} < 18V\$ \)](#).

3.5 Maximum demagnetization energy ($V_{CC} = 13.5V$)

Figure 34. Maximum turn-off current versus inductance (for each channel)

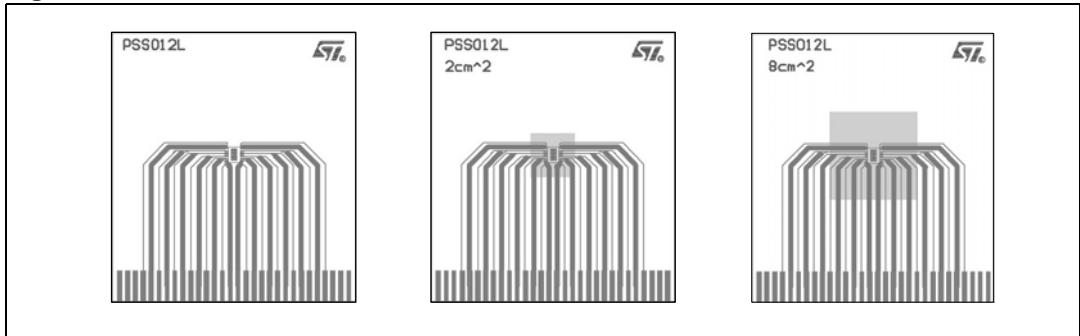


Note: Values are generated with $R_L = 0 \Omega$. In case of repetitive pulses, T_{jstart} (at beginning of each demagnetization) of every pulse must not exceed the temperature specified above for curves A and B.

4 Package and PCB thermal data

4.1 PowerSSO-12 thermal data

Figure 35. PowerSSO-12 PC board



Note: Layout condition of R_{th} and Z_{th} measurements (PCB: Double layer, Thermal Vias, FR4 area= 77mm x 86mm, PCB thickness=1.6mm, Cu thickness=70 μ m (front and back side), Copper areas: from minimum pad lay-out to 8cm²).

Figure 36. $R_{thj-amb}$ Vs. PCB copper area in open box free air condition (one channel ON)

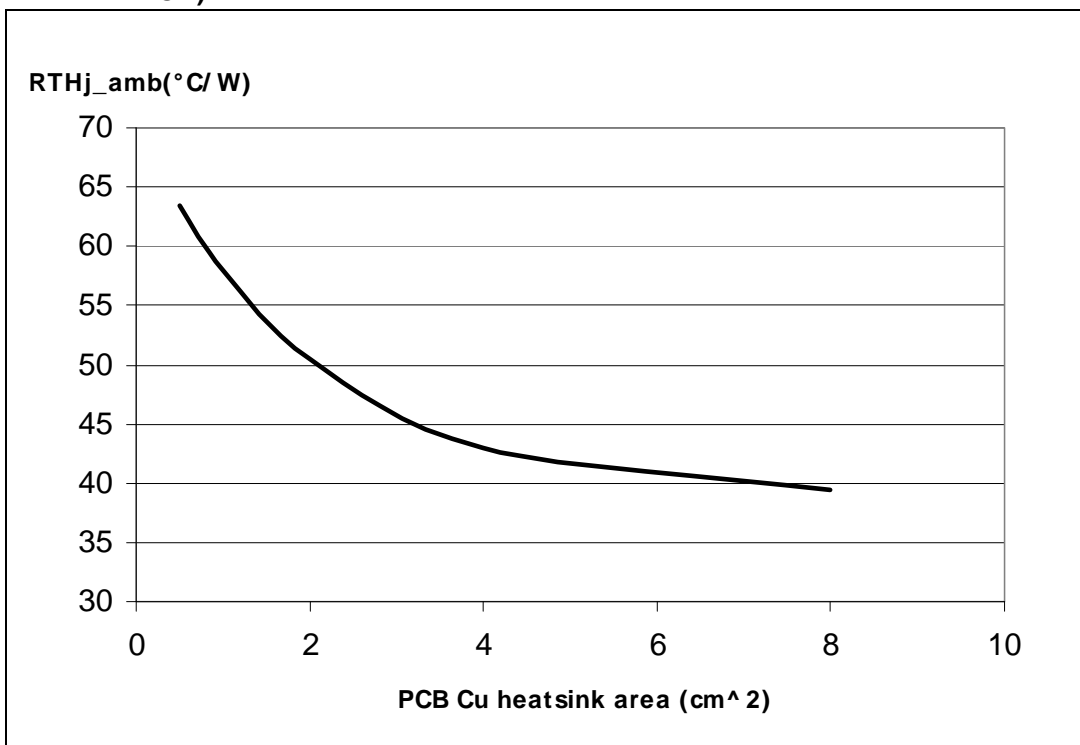
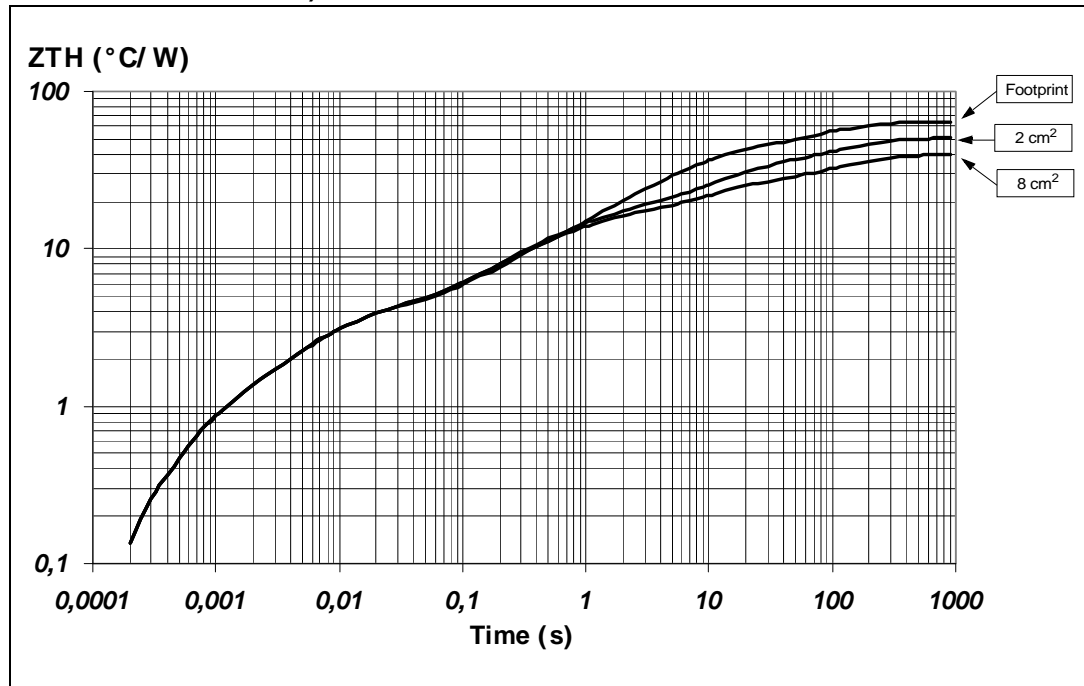


Figure 37. PowerSSO-12 thermal impedance junction ambient single pulse (one channel ON)

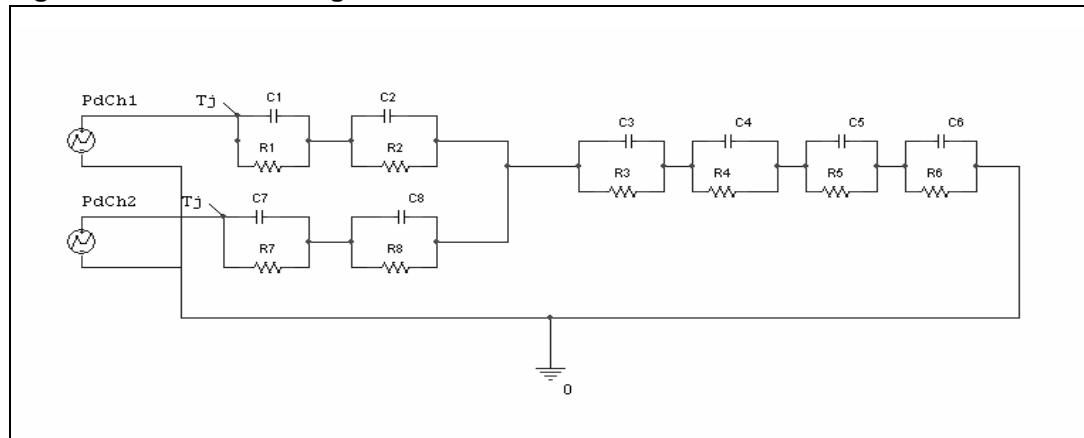


Equation 1: pulse calculation formula

$$Z_{TH\delta} = R_{TH} \cdot \delta + Z_{THtp}(1 - \delta)$$

where $\delta = t_p/T$

Figure 38. Thermal fitting model of a double channel HSD in PowerSSO-12 (a)



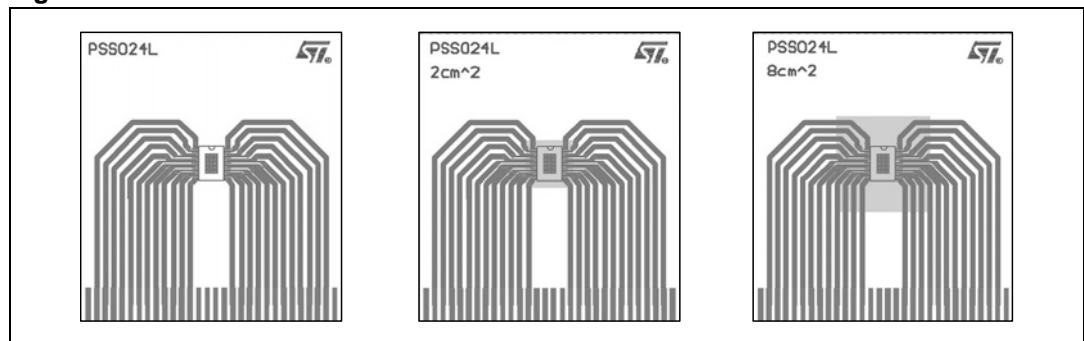
- a. The fitting model is a simplified thermal tool and is valid for transient evolutions where the embedded protections (power limitation or thermal cycling during thermal shutdown) are not triggered.

Table 15. Thermal parameters

Area/island (cm ²)	Footprint	2	8
R1=R7 (°C/W)	0.7		
R2=R8 (°C/W)	2.8		
R3 (°C/W)	4		
R4 (°C/W)	8	8	7
R5 (°C/W)	22	15	10
R6 (°C/W)	26	20	15
C1=C7 (W.s/°C)	0.001		
C2=C8 (W.s/°C)	0.0025		
C3 (W.s/°C)	0.05		
C4 (W.s/°C)	0.2	0.1	0.1
C5 (W.s/°C)	0.27	0.8	1
C6 (W.s/°C)	3	6	9

4.2 PowerSSO-24 thermal data

Figure 39. PowerSSO-24 PC board



Note: Layout condition of R_{th} and Z_{th} measurements (PCB: Double layer, Thermal Vias, FR4 area= 77mm x 86mm, PCB thickness=1.6mm, Cu thickness=70µm (front and back side), Copper areas: from minimum pad lay-out to 8cm²).

Figure 40. $R_{thj-amb}$ vs PCB copper area in open box free air condition (one channel ON)

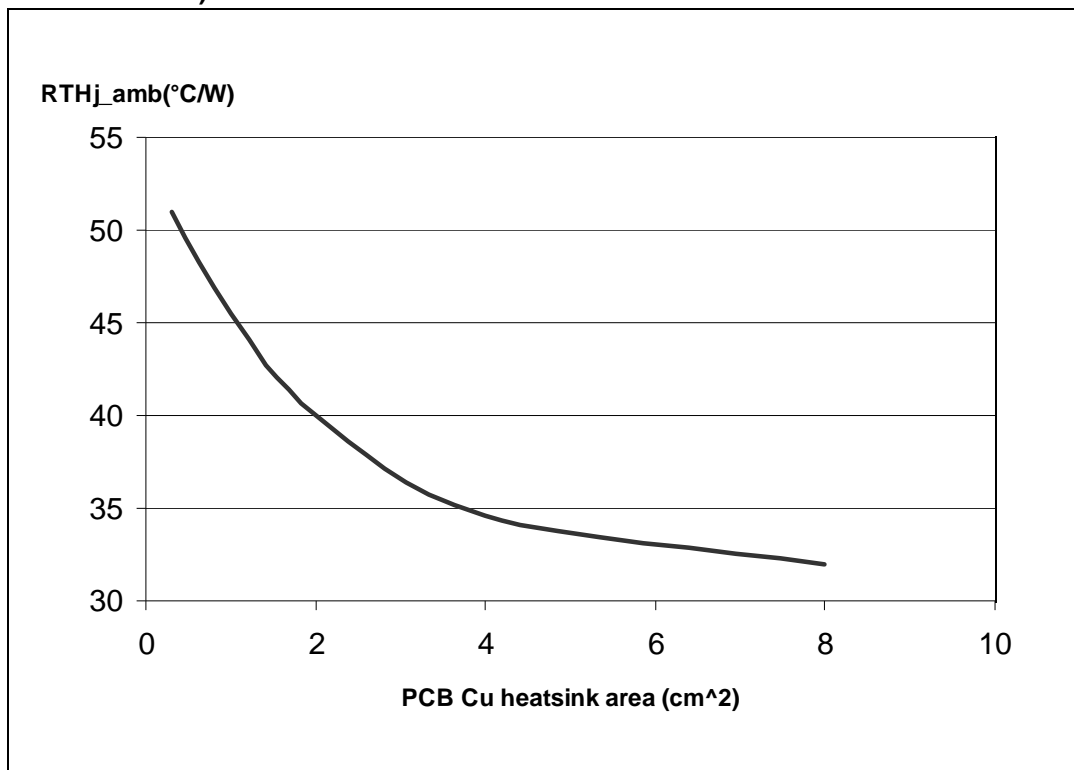
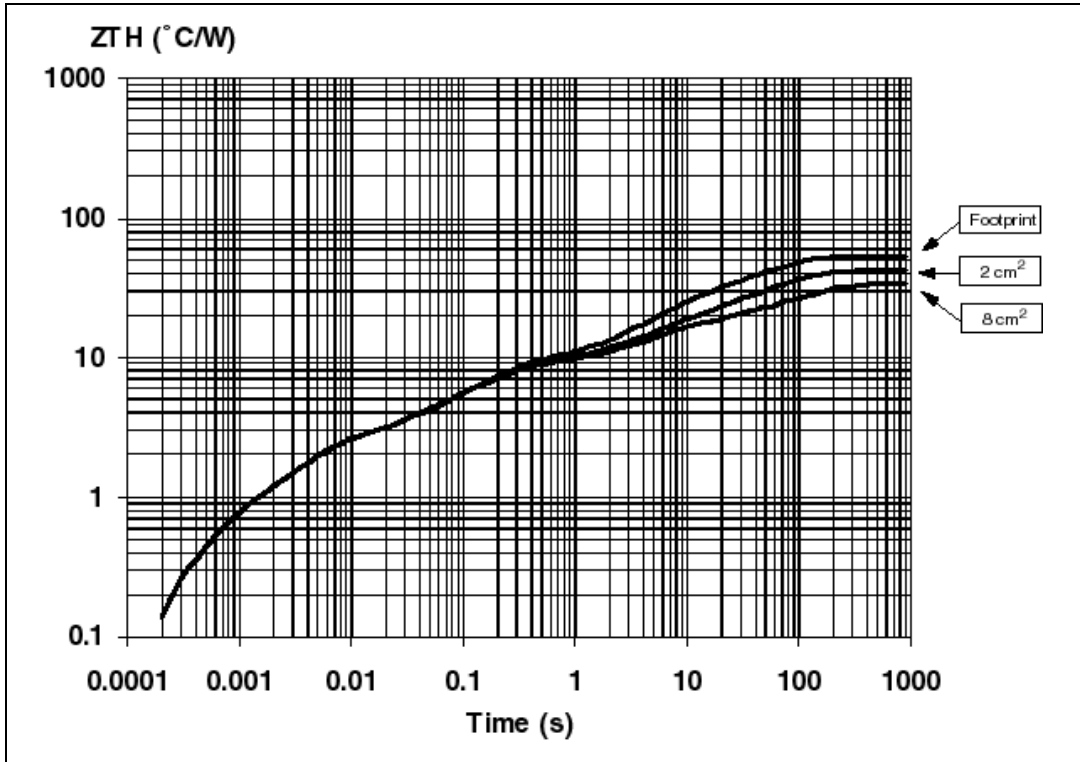


Figure 41. PowerSSO-24 thermal impedance junction ambient single pulse (one channel ON)

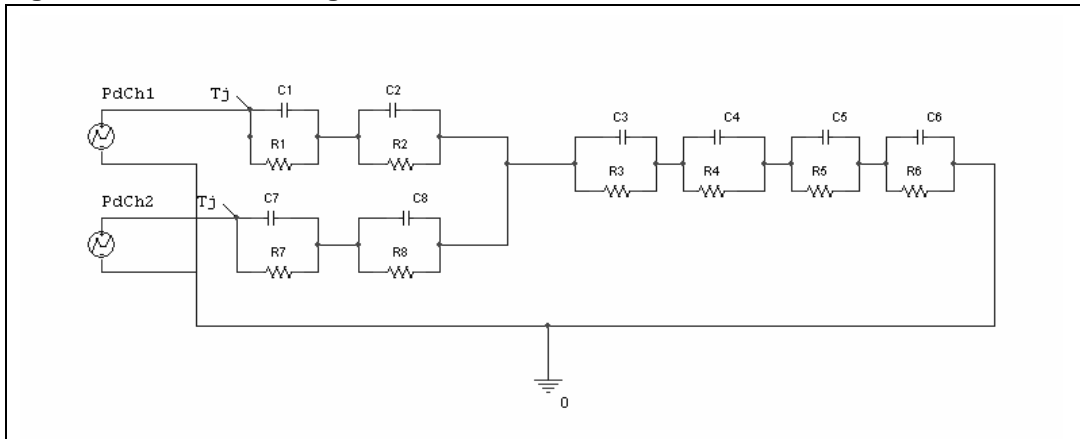


Equation 2: pulse calculation formula

$$Z_{TH\delta} = R_{TH} \cdot \delta + Z_{THtp}(1 - \delta)$$

where $\delta = t_p/T$

Figure 42. Thermal fitting model of a double channel HSD in PowerSSO-24 (b)



b. The fitting model is a simplified thermal tool and is valid for transient evolutions where the embedded protections (power limitation or thermal cycling during thermal shutdown) are not triggered.

Table 16. Thermal parameters

Area / island (cm ²)	Footprint	2	8
R1= R7 (°C/W)	0.4		
R2= R8 (°C/W)	2		
R3 (°C/W)	6		
R4 (°C/W)	7.7		
R5 (°C/W)	9	9	8
R6 (°C/W)	28	17	10
C1= C7 (W.s/°C)	0.001		
C2= C8 (W.s/°C)	0.0022		
C3 (W.s/°C)	0.025		
C4 (W.s/°C)	0.75		
C5 (W.s/°C)	1	4	9
C6 (W.s/°C)	2.2	5	17

5 Package and packing information

5.1 ECOPACK®

In order to meet environmental requirements, ST offers these devices in different grades of ECOPACK® packages, depending on their level of environmental compliance. ECOPACK® specifications, grade definitions and product status are available at: www.st.com.

ECOPACK® is an ST trademark.

5.2 PowerSSO-12 package information

Figure 43. PowerSSO-12 package dimensions

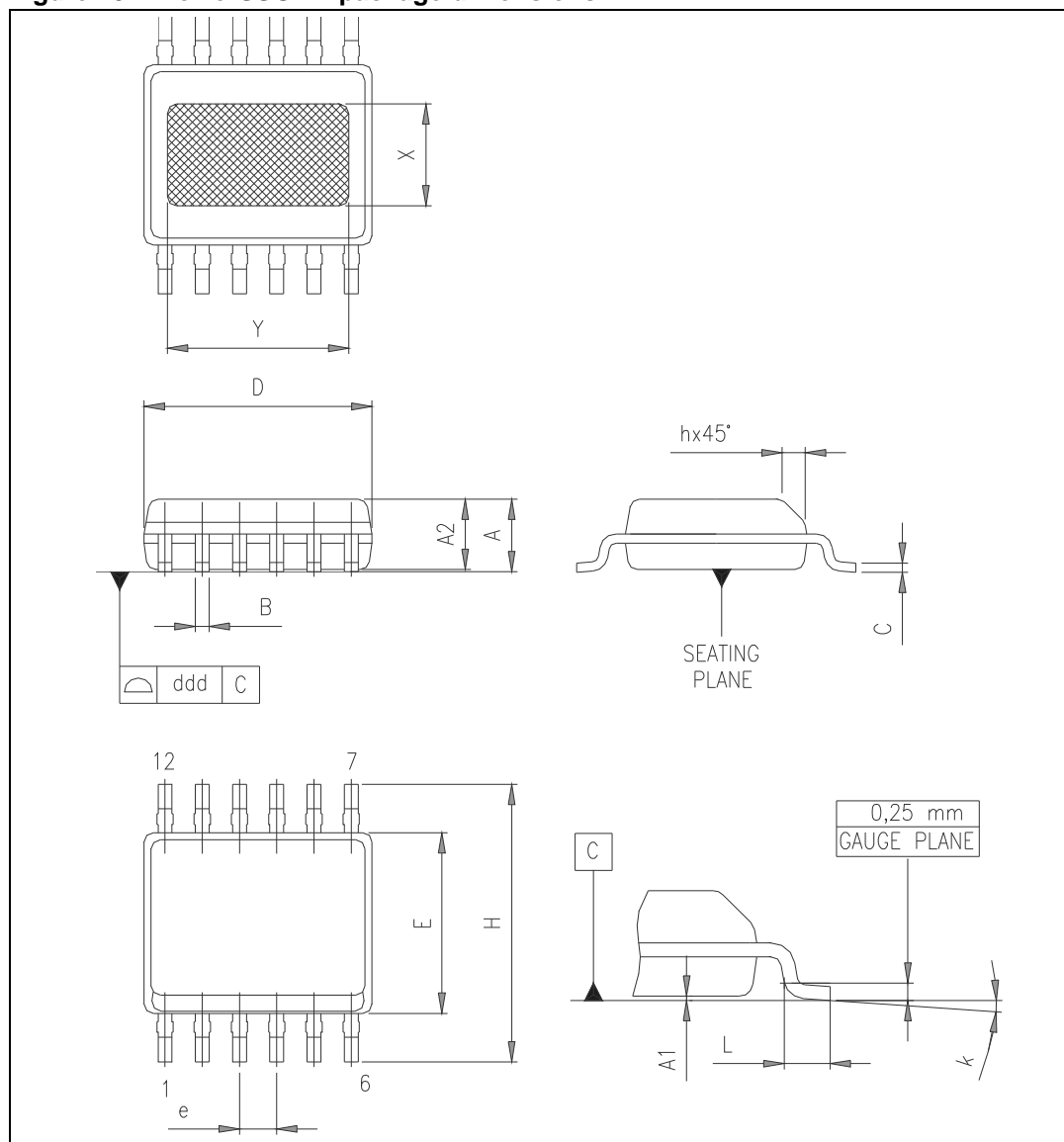


Table 17. PowerSSO-12 mechanical data

Symbol	Millimeters		
	Min.	Typ.	Max.
A	1.25		1.62
A1	0		0.1
A2	1.10		1.65
B	0.23		0.41
C	0.19		0.25
D	4.8		5.0
E	3.8		4.0
e		0.8	
H	5.8		6.2
h	0.25		0.5
L	0.4		1.27
k	0°		8°
X	1.9		2.5
Y	3.6		4.2
ddd			0.1

5.3 PowerSSO-24 package information

Figure 44. PowerSSO-24 package dimensions

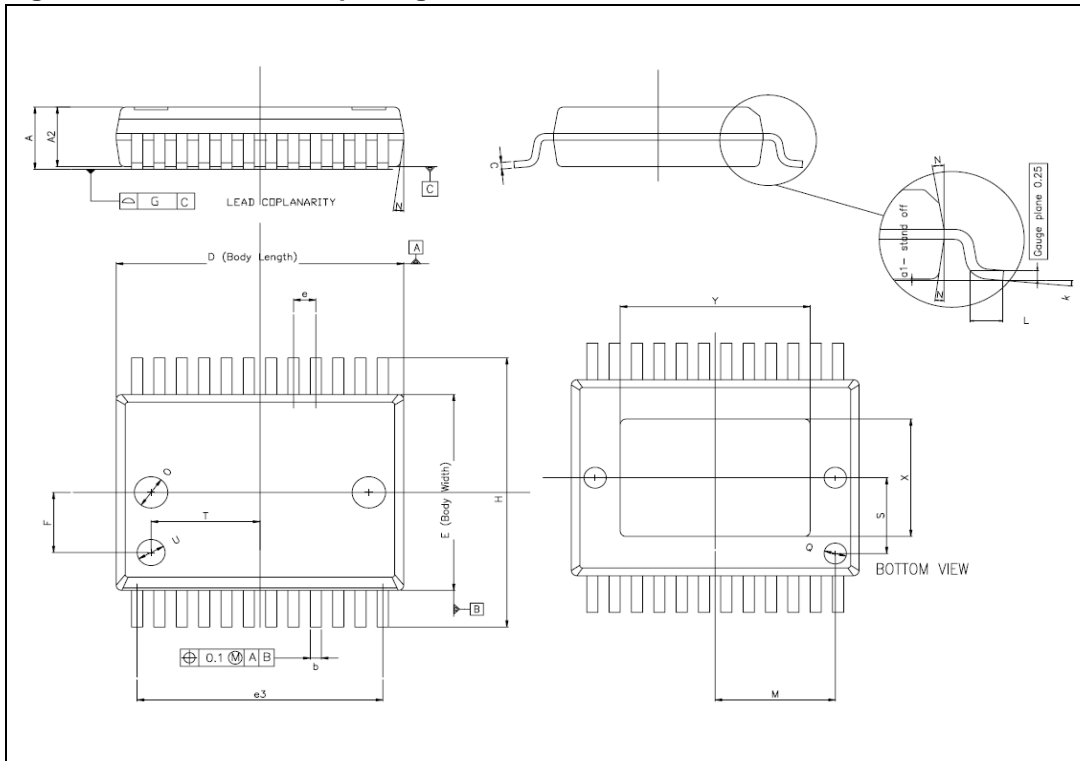


Table 18. PowerSSO-24 mechanical data^{(1) (2)}

Symbol	Millimeters		
	Min.	Typ.	Max.
A			2.45
A2	2.15		2.35
a1	0		0.1
b	0.33		0.51
c	0.23		0.32
D ⁽³⁾	10.10		10.50
E ⁽³⁾	7.40		7.60
e		0.8	
e3		8.8	
F		2.3	
G			0.1
H	10.1		10.5
h			0.4
k	0°		8°
L	0.55		0.85
O		1.2	
Q		0.8	
S		2.9	
T		3.65	
U		1.0	
N			10°
X	4.1		4.7
Y	6.5		7.1

1. No intrusion allowed inwards the leads.
2. Flash or bleeds on exposed die pad shall not exceed 0.5 mm per side
3. "D and E" do not include mold Flash or protusions. Mold Flash or protusions shall not exceed 0.15 mm per side

5.4 PowerSSO-12 packing information

Figure 45. PowerSSO-12 tube shipment (no suffix)

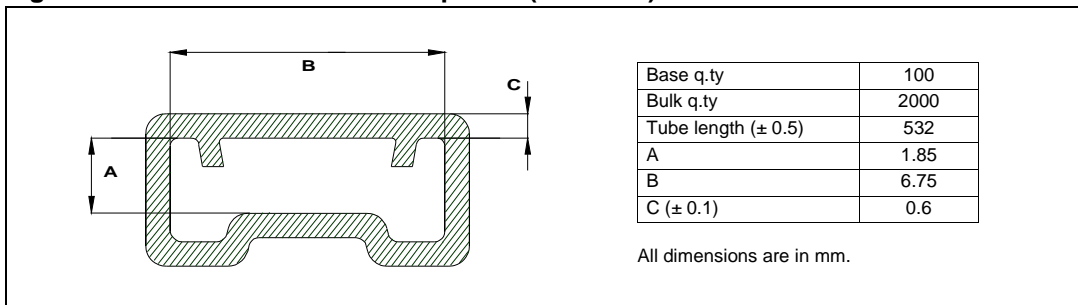
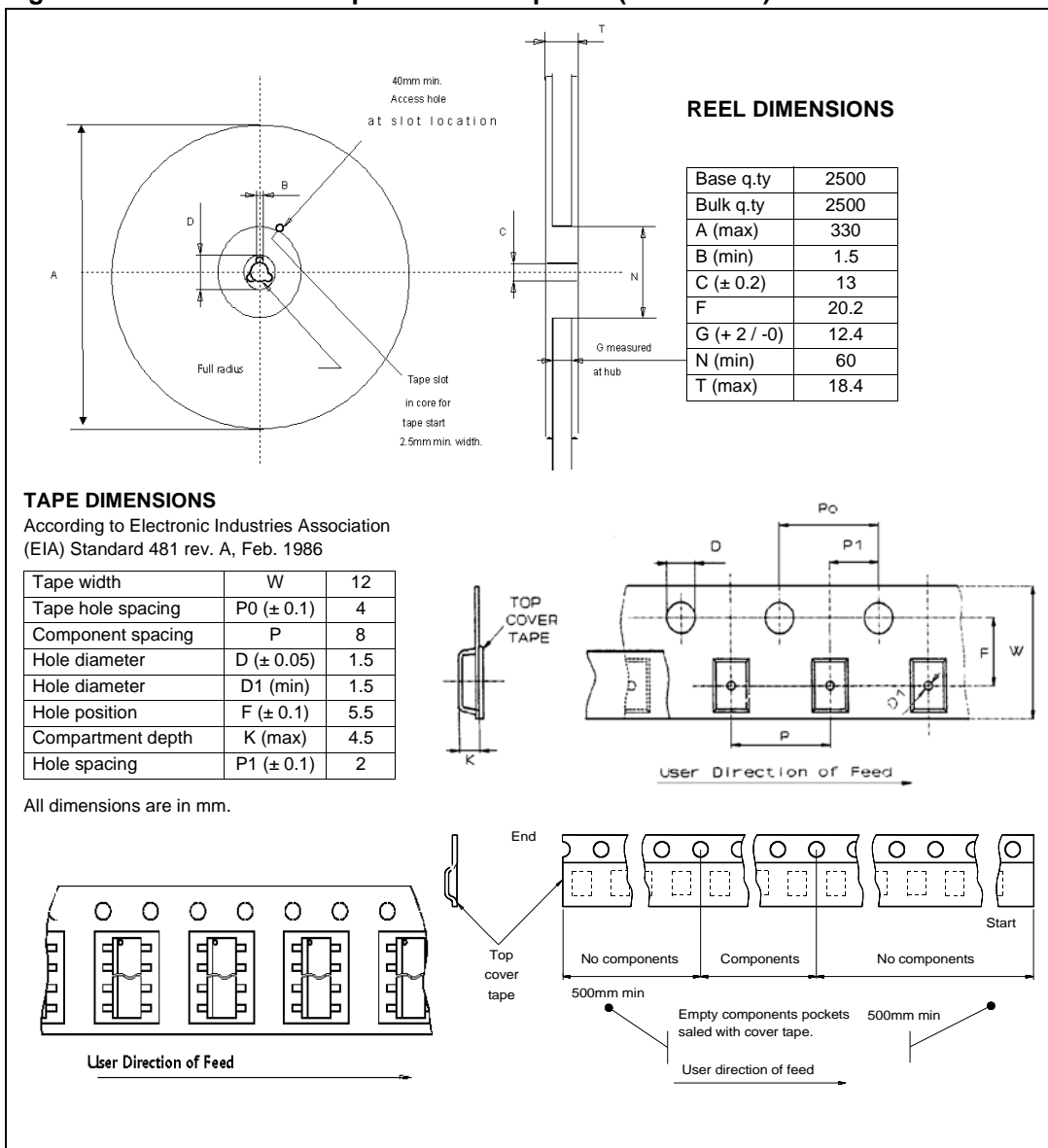


Figure 46. PowerSSO-12 tape and reel shipment (suffix "TR")



5.5 PowerSSO-24 packing information

Figure 47. PowerSSO-24 tube shipment (no suffix)

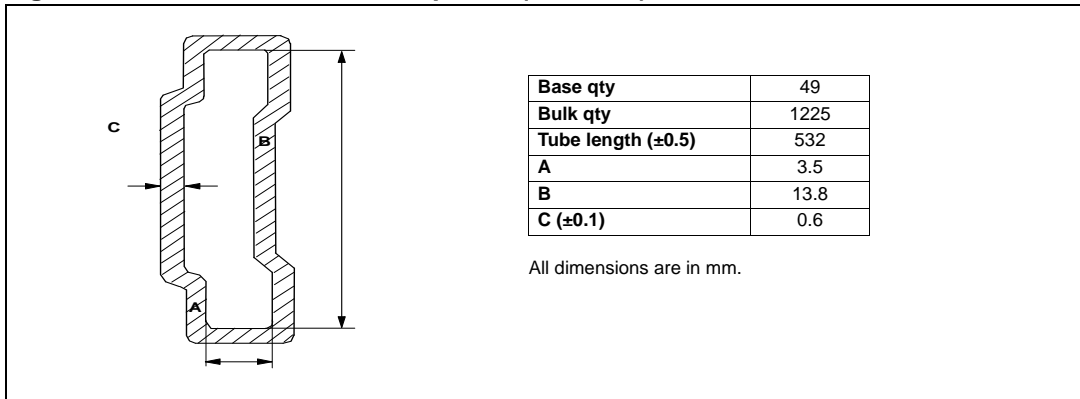
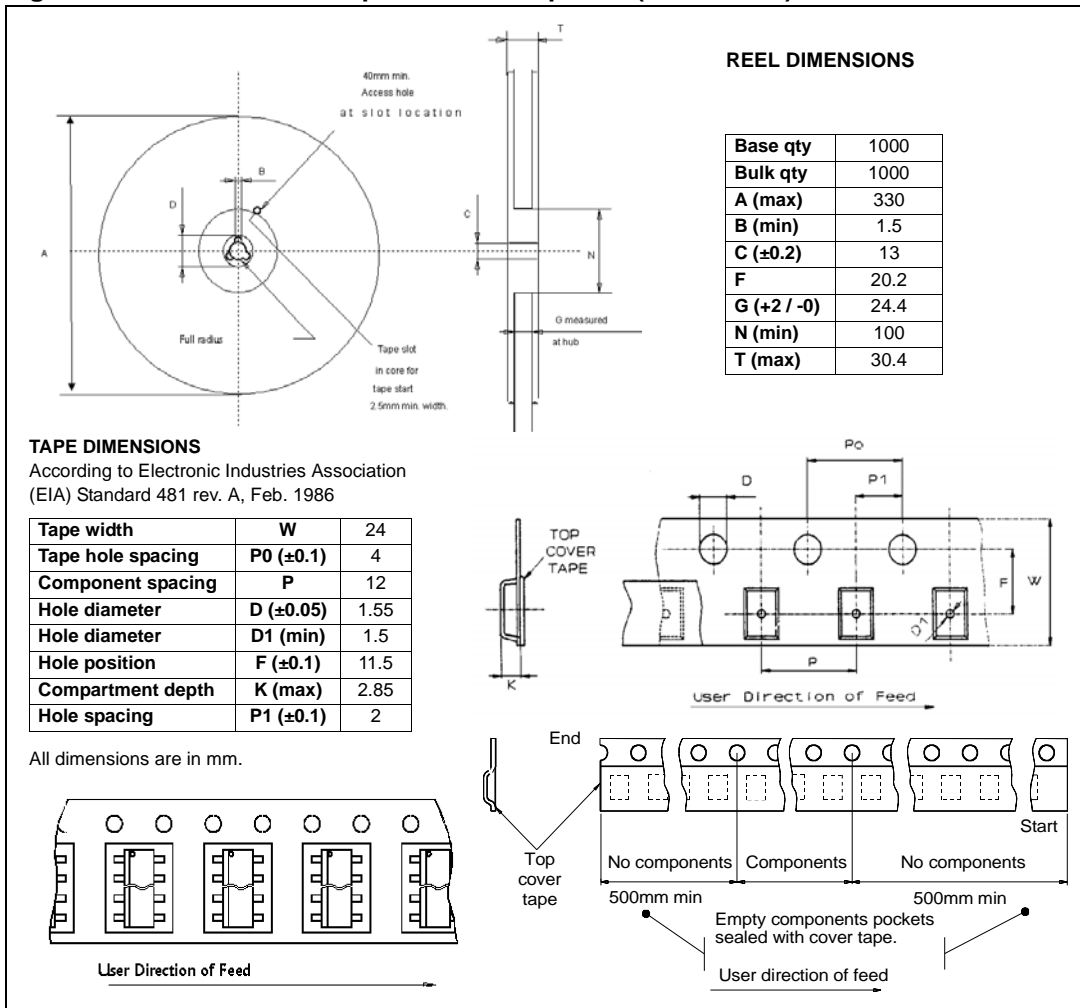


Figure 48. PowerSSO-24 tape and reel shipment (suffix "TR")



6 Order codes

Table 19. Device summary

Package	Order codes	
	Tube	Tape and reel
PowerSSO-12	VND5E050AJ-E	VND5E050AJTR-E
PowerSSO-24	VND5E050AK-E	VND5E050AKTR-E

7 Revision history

Table 20. Document revision history

Date	Revision	Changes
01-Apr-2008	1	Initial release.
05-Mar-2009	2	Changed Table 18: PowerSSO-24 mechanical data
19-Jun-2009	3	Table 18: PowerSSO-24 mechanical data: – Changed L (min) value from 0.6 to 0.55 – Changed L (max) value from 1 to 0.85
22-Jul-2009	4	Updated Figure 44: PowerSSO-24 package dimensions .
19-Sep-2013	5	Updated disclaimer.

Please Read Carefully:

Information in this document is provided solely in connection with ST products. STMicroelectronics NV and its subsidiaries ("ST") reserve the right to make changes, corrections, modifications or improvements, to this document, and the products and services described herein at any time, without notice.

All ST products are sold pursuant to ST's terms and conditions of sale.

Purchasers are solely responsible for the choice, selection and use of the ST products and services described herein, and ST assumes no liability whatsoever relating to the choice, selection or use of the ST products and services described herein.

No license, express or implied, by estoppel or otherwise, to any intellectual property rights is granted under this document. If any part of this document refers to any third party products or services it shall not be deemed a license grant by ST for the use of such third party products or services, or any intellectual property contained therein or considered as a warranty covering the use in any manner whatsoever of such third party products or services or any intellectual property contained therein.

UNLESS OTHERWISE SET FORTH IN ST'S TERMS AND CONDITIONS OF SALE ST DISCLAIMS ANY EXPRESS OR IMPLIED WARRANTY WITH RESPECT TO THE USE AND/OR SALE OF ST PRODUCTS INCLUDING WITHOUT LIMITATION IMPLIED WARRANTIES OF MERCHANTABILITY, FITNESS FOR A PARTICULAR PURPOSE (AND THEIR EQUIVALENTS UNDER THE LAWS OF ANY JURISDICTION), OR INFRINGEMENT OF ANY PATENT, COPYRIGHT OR OTHER INTELLECTUAL PROPERTY RIGHT.

ST PRODUCTS ARE NOT DESIGNED OR AUTHORIZED FOR USE IN: (A) SAFETY CRITICAL APPLICATIONS SUCH AS LIFE SUPPORTING, ACTIVE IMPLANTED DEVICES OR SYSTEMS WITH PRODUCT FUNCTIONAL SAFETY REQUIREMENTS; (B) AERONAUTIC APPLICATIONS; (C) AUTOMOTIVE APPLICATIONS OR ENVIRONMENTS, AND/OR (D) AEROSPACE APPLICATIONS OR ENVIRONMENTS. WHERE ST PRODUCTS ARE NOT DESIGNED FOR SUCH USE, THE PURCHASER SHALL USE PRODUCTS AT PURCHASER'S SOLE RISK, EVEN IF ST HAS BEEN INFORMED IN WRITING OF SUCH USAGE, UNLESS A PRODUCT IS EXPRESSLY DESIGNATED BY ST AS BEING INTENDED FOR "AUTOMOTIVE, AUTOMOTIVE SAFETY OR MEDICAL" INDUSTRY DOMAINS ACCORDING TO ST PRODUCT DESIGN SPECIFICATIONS. PRODUCTS FORMALLY ESCC, QML OR JAN QUALIFIED ARE DEEMED SUITABLE FOR USE IN AEROSPACE BY THE CORRESPONDING GOVERNMENTAL AGENCY.

Resale of ST products with provisions different from the statements and/or technical features set forth in this document shall immediately void any warranty granted by ST for the ST product or service described herein and shall not create or extend in any manner whatsoever, any liability of ST.

ST and the ST logo are trademarks or registered trademarks of ST in various countries.

Information in this document supersedes and replaces all information previously supplied.

The ST logo is a registered trademark of STMicroelectronics. All other names are the property of their respective owners.

© 2013 STMicroelectronics - All rights reserved

STMicroelectronics group of companies

Australia - Belgium - Brazil - Canada - China - Czech Republic - Finland - France - Germany - Hong Kong - India - Israel - Italy - Japan - Malaysia - Malta - Morocco - Philippines - Singapore - Spain - Sweden - Switzerland - United Kingdom - United States of America

www.st.com

X-ON Electronics

Largest Supplier of Electrical and Electronic Components

Click to view similar products for [Power Switch ICs - Power Distribution](#) *category:*

Click to view products by [STMicroelectronics](#) *manufacturer:*

Other Similar products are found below :

[AP22652AW6-7](#) [MAPDCC0001](#) [L9349TR-LF](#) [MAPDCC0005](#) [NCP45520IMNTWG-L](#) [VND5050K-E](#) [MP6205DD-LF-P](#)
[MC15XS3400DHFKR2](#) [FPF1015](#) [FPF1018](#) [DS1222](#) [TCK2065G,LF](#) [SZNCP3712ASNT3G](#) [L9781TR](#) [NCP45520IMNTWG-H](#)
[MC17XS6500BEK](#) [SP2526A-1EN-L/TR](#) [SP2526A-2EN-L/TR](#) [MAX4999ETJ+T](#) [MC22XS4200BEK](#) [MAX14575BETA+T](#) [VN1160C-1-E](#)
[VN750PEP-E](#) [TLE7244SL](#) [BTS50060-1EGA](#) [MAX1693HEUB+T](#) [MC07XSG517EK](#) [TLE7237SL](#) [MIC2033-05BYMT-T5](#) [MIC2033-](#)
[12AYMT-T5](#) [MIC2033-05BYM6-T5](#) [MP6513LGJ-P](#) [NCP3902FCCTBG](#) [AP22811BW5-7](#) [SLG5NT1437VTR](#) [SZNCP3712ASNT1G](#)
[NCV330MUTBG](#) [DML1008LDS-7](#) [MAX4987AEETA+T](#) [KTS1670EDA-TR](#) [MAX1694EUB+T](#) [KTS1640QGDV-TR](#) [KTS1641QGDV-TR](#)
[IPS160HTR](#) [BTS500251TADATMA2](#) [NCV451AMNWTBG](#) [MC07XS6517BEKR2](#) [SIP43101DQ-T1-E3](#) [DML10M8LDS-13](#)
[MAX1922ESA+C71073](#)