

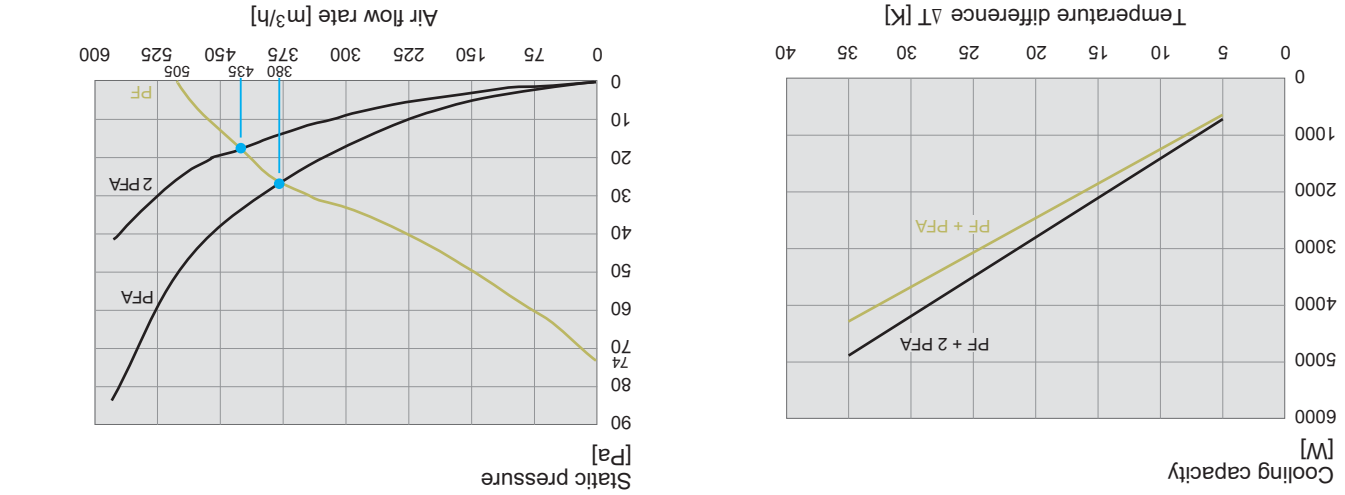
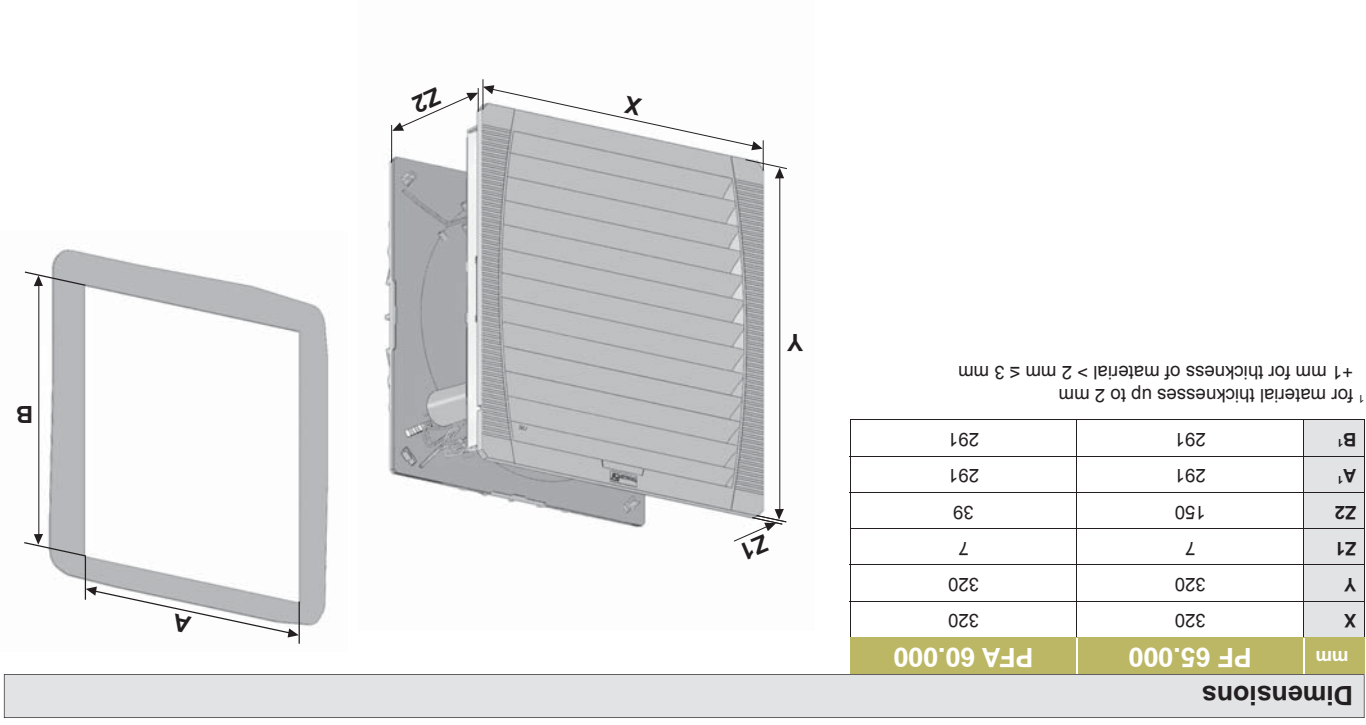
PF 65,000 Filterfan PFA 60,000 Exhaust filter

- Installation size 6, air flow rate up to 505 m³/h
- Three performance classes, cut-out compatible
- System of protection IP 54 and IP 55, NEMA type 12
- UL, cUL approval
- UV-resistance (IP 55 version)
- Cut-out compatible with installation size 6 from the 3rd Generation (see page 150) and with air conditioner unit DTFI 9021 (see page 26)

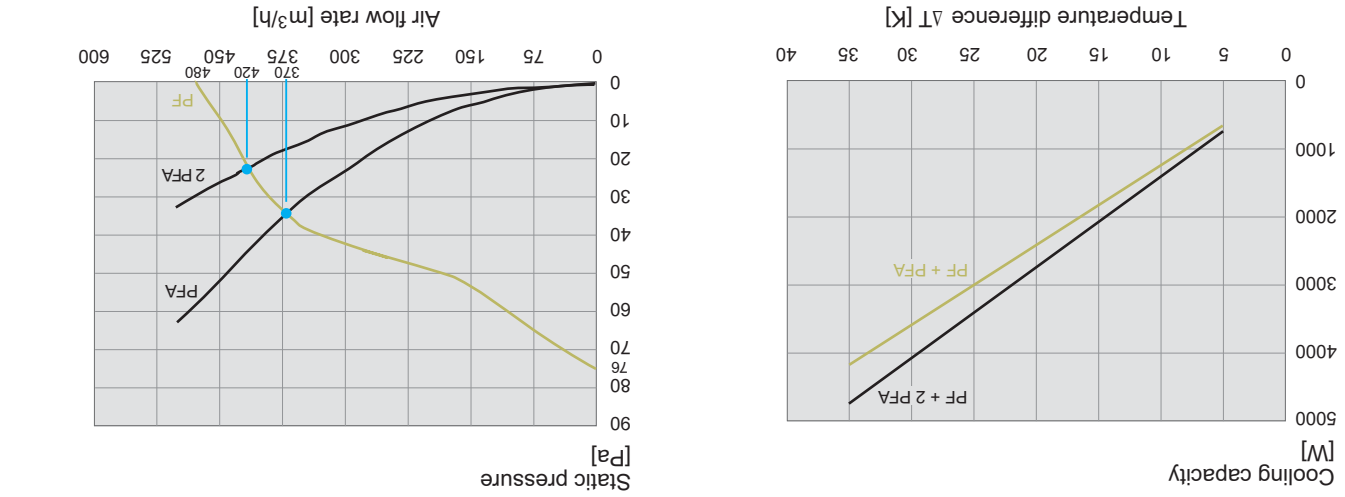


Data	PF 65,000		Unit
Article number	IP 54	IP 55	
	11665102055	11665152055	
	11665103055	11665153055	
	AC 50 Hz / 60 Hz		
Rated voltage ± 10 %	230	115	V
Unimpeded airflow	IP 54	IP 55	m ³ /h
	480 / 480	505 / 505	
Air flow rate in combination (PF + PFA 60,000)	IP 54	IP 55	m ³ /h
	370 / 370	380 / 380	
Power consumption	65 / 80		W
Current consumption	0.3 / 0.36		A
Noise level (according to EN ISO 3741)	IP 54	IP 55	dB(A)
	54 / 52		
Weight	3.2		kg
Type of connection	spring-type terminal		
Fuse	6		A
System of protection	IP 54	IP 55	
	NEMA type 12 - standard filter	NEMA type 12 - fluted filter	
according to EN 60529 / UL 50	IP 54	IP 55	
Design (housing and protection against accidental contact)	IP 54	IP 55	
	made of injection-moulded thermoplastic, self-extinguishing, UL 94 VO		
	additional: UV-resistant		
Colour	RAL 7035 ³		
Accessories	Piece	Article number	Information on page
Exhaust filter PFA 60,000	IP 54	11760002055	149
	IP 55	11760003055	149
Thermostat	1	17121000000	149

¹ according to DIN EN 779
² fan failure is defined as being when the current and speed deviate or the operating noises are out of the ordinary
³ different colours available on request
 Approvals see page 111



PF 65,000 IP 55



PF 65,000 IP 54

Static pressure performance curves



X-ON Electronics

Largest Supplier of Electrical and Electronic Components

Click to view similar products for [pfannenberg](#) manufacturer:

Other Similar products are found below :

[PF43.000 \(230V\)](#) [11720001055](#)