

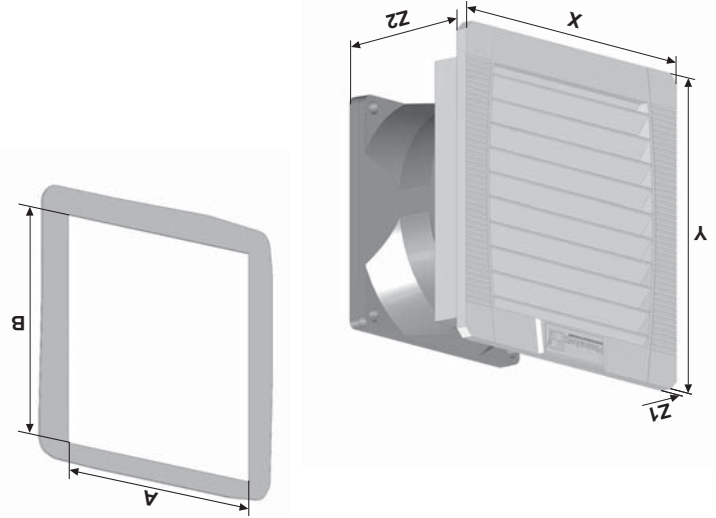
PF 11.000 Filterfan PFA 10.000 Exhaust filter



- Installation size 1, air flow rate up to 29 m³/h
- System of protection IP 54, NEMA type 12
- UL, cUL approval
- Cut-out compatible with installation size 1 from the 3rd Generation (see page 150)

Data		PF 11.000					Unit
Article number	IP 54	11611101055	11611151055	11611851055	11611801055	11611701055	
		AC 50 Hz / 60 Hz					
		DC					
Rated voltage ± 10 %	IP 54	230	115	12	24	48	
Unimpeded airflow	IP 54	25 / 29					
Air flow rate in combination (PF + PFA 10.000)	IP 54	16 / 18					
Power consumption		12 / 11	12 / 11	2.4	2.4	2.6	
Current consumption		0.07 / 0.06	0.15 / 0.15	0.2	0.1	0.05	
Noise level (according to EN ISO 3741)	IP 54	33 / 33		33			
Weight		0.55		0.16			
Type of connection		cable, 2-core, length 310 mm					
Fuse		6					
System of protection according to EN 60529 / UL 50		NEMA type 12 - standard filter					
Filteration efficiency		88					
Filter mat quality class ¹		G 3					
Duty cycle		100					
Bearing type		sleeve bearing		ball bearing			
Service life L ₁₀ (+ 40 °C) ²		52500	55000	70000			
Temperature range		- 15 ... + 55 / + 5 ... + 131 °C / °F					
Design (housing and protection against accidental contact)		made of injection-moulded thermoplastic, self-extinguishing, UL 94 VO					
Colour		RAL 7035 ³					
Accessories	Piece	Article number					
Exhaust filter PFA 10.000	IP 54	1	11710001055				
Thermostat		1	17121000000				
			149				

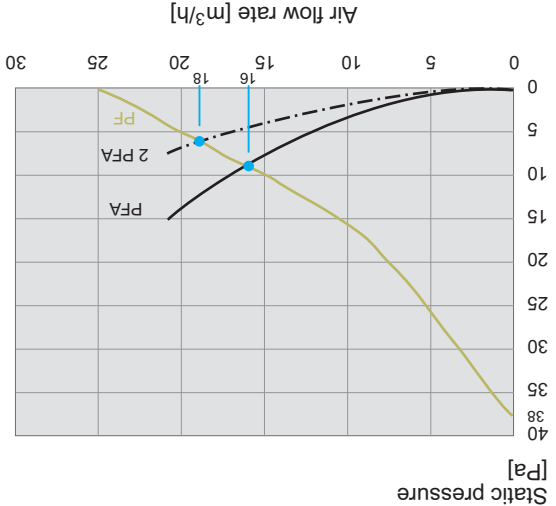
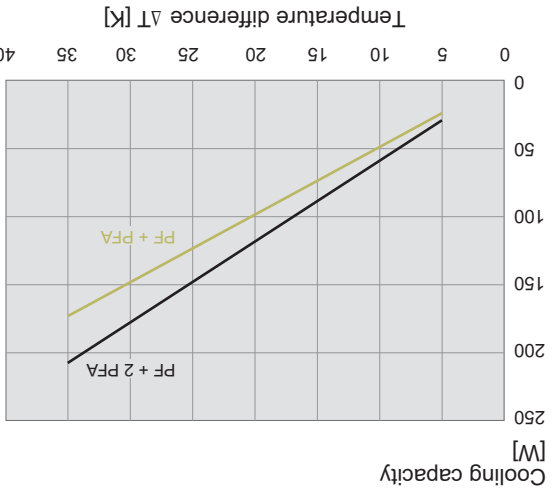
¹ according to DIN EN 779
² fan failure is defined as being when the current and speed deviate or the operating noises are out of the ordinary
³ different colours available on request
 Approvals see page 111



Dimensions

mm	PF 11.000	PFA 10.000
X	109	109
Y	109	109
Z1	4	4
Z2	62	49
A ¹	92	92
B ¹	92	92

¹ for material thicknesses up to 2 mm
² +1 mm for thickness of material > 2 mm ≤ 3 mm



X-ON Electronics

Largest Supplier of Electrical and Electronic Components

Click to view similar products for [pfannenberg](#) manufacturer:

Other Similar products are found below :

[PF43.000 \(230V\)](#) [11720001055](#)