

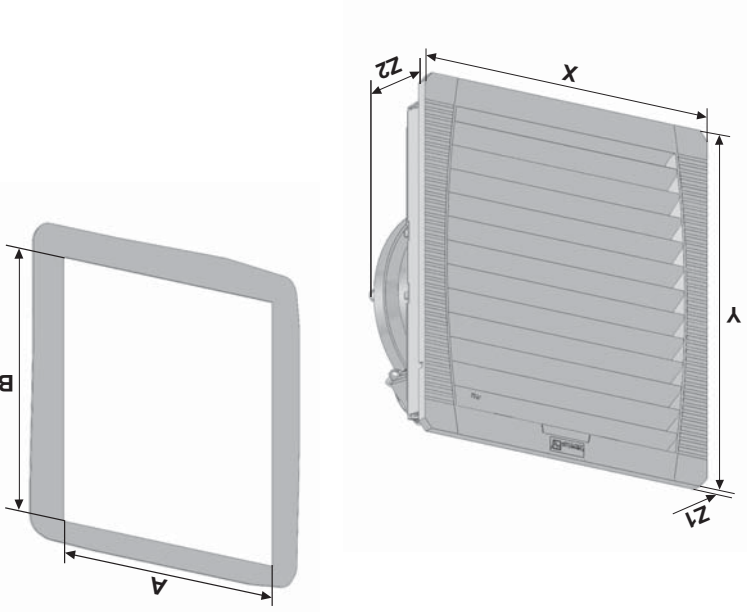
PF 43.000 Filterfan PFA 40.000 Exhaust filter

- Installation size 4, air flow rate up to 292 m³/h
- Two performance classes, cut-out compatible
- System of protection IP 54 and IP 55, NEMA type 12
- UL, cUL approval
- UV-resistance (IP 55 version)
- Cut-out compatible with installation size 4 from the 3rd Generation (see page 150)



Data		PF 43.000				Unit
Article number	IP 55	11643103055	11643153055	11643853055	11643803055	DC
	IP 54	11643101055	11643151055	11643851055	11643701055	
Rated voltage ± 10 %	IP 54	230	230	115	12	24
	IP 55	230	230	115	12	24
Unimpeded airflow	IP 54	256 / 292	256 / 292	256 / 292	256 / 292	m ³ /h
	IP 55	233 / 265	233 / 265	233 / 265	233 / 265	
Air flow rate in combination (PF + PFA 40.000)	IP 54	231 / 265	231 / 265	231 / 265	231 / 265	m ³ /h
	IP 55	233 / 265	233 / 265	233 / 265	233 / 265	
Power consumption	IP 54	45 / 39	45 / 39	40 / 40	12	W
	IP 55	0.32 / 0.26	0.32 / 0.26	0.5 / 0.5	1	
Noise level (according to EN ISO 3741)	IP 54	42	42	42	42	dB(A)
	IP 55	42 / 46	42 / 46	42	42	
Weight	IP 54	1.67	1.67	1.67	1.51	kg
	IP 55	1.67	1.67	1.67	1.51	
Type of connection	IP 54	6	6	6	6	spring-type terminal
	IP 55	6	6	6	6	
Fuse	IP 54	A	A	A	A	A
	IP 55	A	A	A	A	
System of protection according to EN 60529 / UL 50	IP 54	NEMA type 12 - standard filter	NEMA type 12 - standard filter	NEMA type 12 - standard filter	NEMA type 12 - fluted filter	IP 54
	IP 55	NEMA type 12 - fluted filter	NEMA type 12 - fluted filter	NEMA type 12 - fluted filter	NEMA type 12 - fluted filter	
Filtration efficiency	IP 54	88	88	88	88	%
	IP 55	91	91	91	91	
Filter mat quality class ¹	IP 54	G 3	G 3	G 3	G 3	IP 55
	IP 55	G 4	G 4	G 4	G 4	
Duty cycle	IP 54	100	100	100	100	%
	IP 55	100	100	100	100	
Bearing type	IP 54	ball bearing	ball bearing	ball bearing	ball bearing	ball bearing
	IP 55	ball bearing	ball bearing	ball bearing	ball bearing	
Service life L ₁₀ (+ 40 °C) ²	IP 54	40000	40000	40000	80000	h
	IP 55	40000	40000	40000	80000	
Temperature range	IP 54	- 15 ... + 55 / + 5 ... + 131	- 15 ... + 55 / + 5 ... + 131	- 15 ... + 55 / + 5 ... + 131	- 15 ... + 55 / + 5 ... + 131	°C / °F
	IP 55	- 15 ... + 55 / + 5 ... + 131	- 15 ... + 55 / + 5 ... + 131	- 15 ... + 55 / + 5 ... + 131	- 15 ... + 55 / + 5 ... + 131	
Design (housing and protection against accidental contact)	IP 54	made of injection-moulded thermoplastic, self-extinguishing, UL 94 VO	made of injection-moulded thermoplastic, self-extinguishing, UL 94 VO	made of injection-moulded thermoplastic, self-extinguishing, UL 94 VO	made of injection-moulded thermoplastic, self-extinguishing, UL 94 VO	IP 54
	IP 55	additional: UV-resistant	additional: UV-resistant	additional: UV-resistant	additional: UV-resistant	
Colour	IP 54	RAL 7035 ³	RAL 7035 ³	RAL 7035 ³	RAL 7035 ³	IP 55
	IP 55	RAL 7035 ³	RAL 7035 ³	RAL 7035 ³	RAL 7035 ³	
Accessories	IP 54	Exhaust filter PFA 40.000	Exhaust filter PFA 40.000	Exhaust filter PFA 40.000	Exhaust filter PFA 40.000	IP 55
	IP 55	Exhaust filter PFA 40.000	Exhaust filter PFA 40.000	Exhaust filter PFA 40.000	Exhaust filter PFA 40.000	
Thermostat	IP 54	17121000000	17121000000	17121000000	17121000000	IP 55
	IP 55	17121000000	17121000000	17121000000	17121000000	

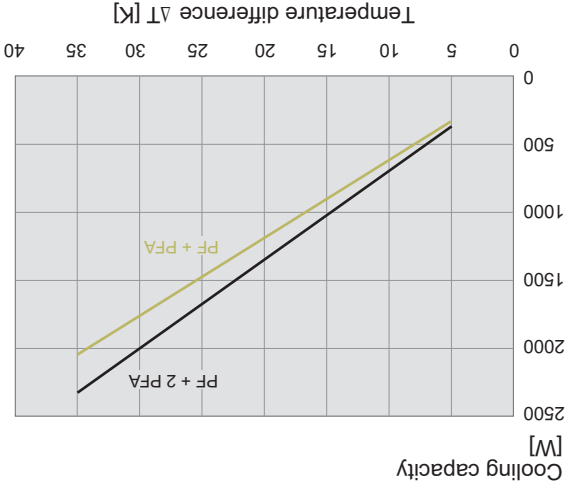
¹ according to DIN EN 779
² fan failure is defined as being when the current and speed deviate or the operating noises are out of the ordinary
³ different colours available on request
 Approvals see page 111



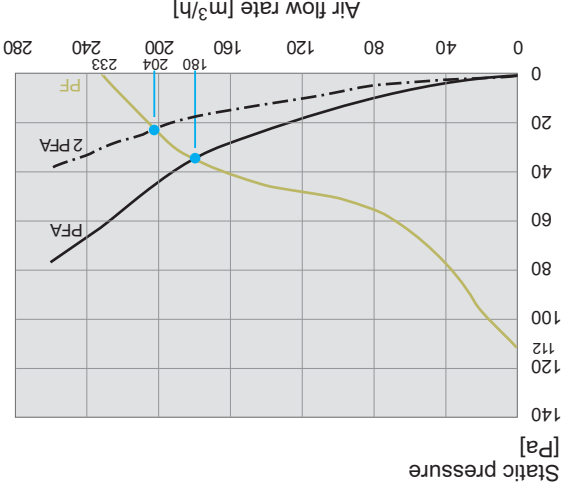
mm	43.000	PFA 40.000
X	252	252
Y	252	252
Z1	6	6
Z2	113	97
A ¹	223	223
B ¹	223	223

¹ for material thicknesses up to 2 mm
² for material thicknesses up to 2 mm
³ +1 mm for thickness of material > 2 mm ≤ 3 mm

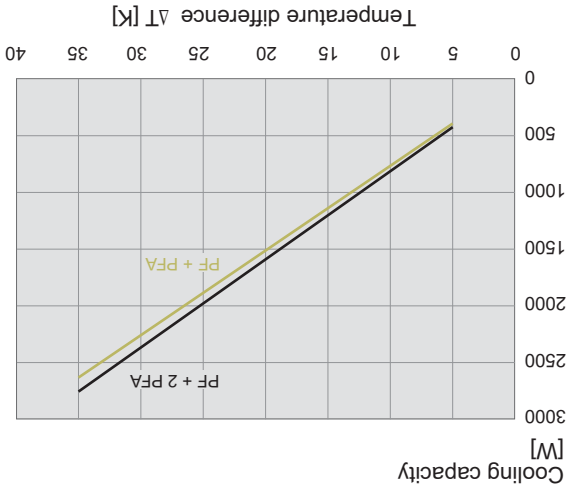
Dimensions



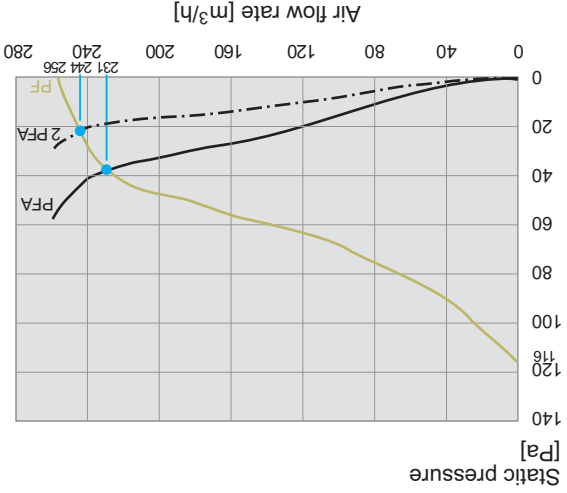
PF 43.000 IP 55



PF 43.000 IP 55



PF 43.000 IP 54



PF 43.000 IP 54

Static pressure performance curves

Cooling capacity performance curve

X-ON Electronics

Largest Supplier of Electrical and Electronic Components

Click to view similar products for [pfannenberg](#) manufacturer:

Other Similar products are found below :

[PF43.000 \(230V\)](#) [11720001055](#)