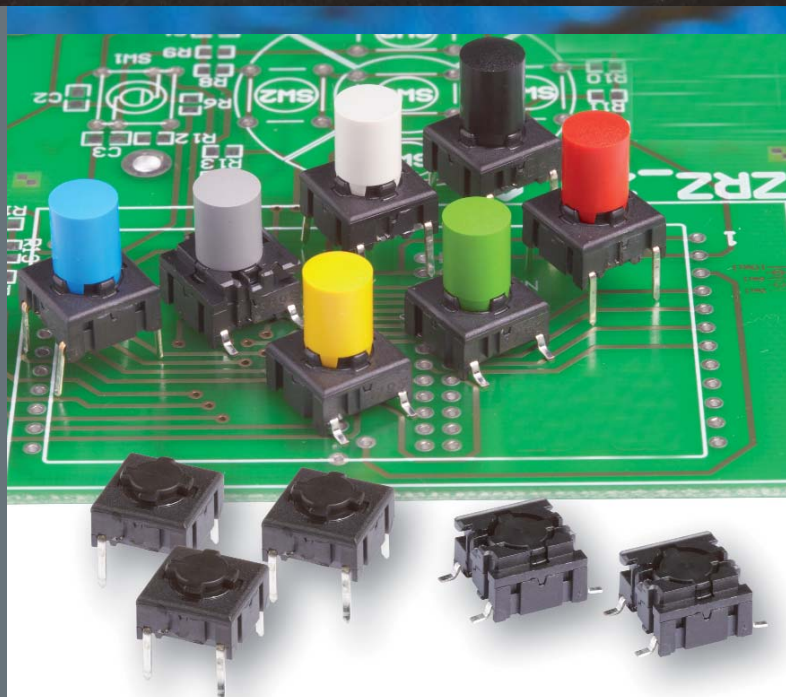




The new caps for the Multimec switches 1SS / 1LS / 1IS is optimized with a "snap on" system to ensure the cap to stay on the switch actuator even under heavy vibrations or similar scenarios.

- The 1SS cap is a solid cap which can be supplied in different colours
- The 1LS cap is a solid cap like 1SS, but with a small round lens for intensive or smooth illumination
- The 1IS cap is a transparent or milk white cap like 1SS, for intensive or smooth illumination



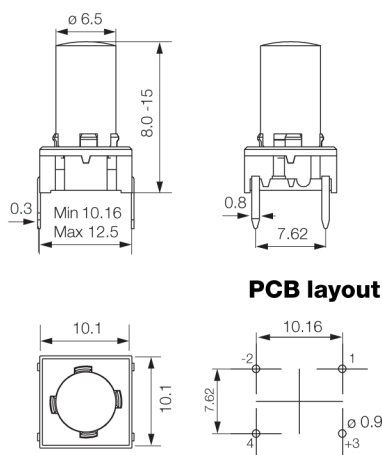
Distributor:



Technical Data

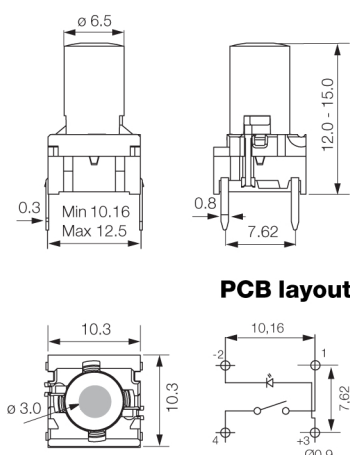
- through-hole or SMD
- 50mA/24VDC
- single pole/momentary
- 10.000.000 operations life time
- IP67 sealing
- temperature range:
LED: -40/+85°C
solid cap +65°C
transparent +85°C
- actuation force: 2.0, 3.5, 6.5 N

Dimensions (through-hole) 1SS



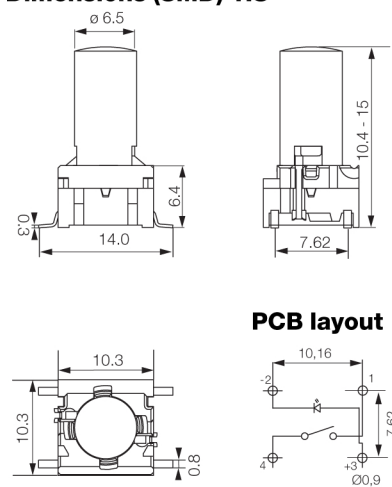
PCB layout

Dimensions (w. LED) 1LS





PCB layout

Dimensions (SMD) 1IS




PCB layout

HOW TO ORDER

5 G							
Switch	Mounting	Actuation force	LED	Cap	Colour code	Lens	Height/1IS
TH9 through-hole	SH9 surface mount	20 35 65	01 blue 22 green 42 yellow 61 white 82 red 2242 green/yellow 8222 red/green	1IS transparent  1LS with lens 	00 blue 03 grey 08 red 09 black 11 transparent 16 frosted white	1 transparent 6 frosted white 2 green 4 yellow 8 red	10.4 11.0 12.0 15.0 Height/1LS 12.0 15.0

Switch to be used: 5E or 5G

5 E					
5 G	Mounting	Actuation force	Cap	Colour code	Height
	TH9 through-hole SH9 surface mount	20 35 65	1SS solid colour 	00 blue 02 green 03 grey 04 yellow 06 white 08 red 09 black	08.0 09.5 10.4 11.0 12.0 15.0

Dimensions (mm) Unless otherwise specified, all tolerances ±0,2

Ordering example: 5GTH93501+1LS03115.0

See colour codes on our website: www.mec.dk

X-ON Electronics

Largest Supplier of Electrical and Electronic Components

Click to view similar products for [Switch Bezels / Switch Caps](#) category:

Click to view products by [Multimec](#) manufacturer:

Other Similar products are found below :

[896805000](#) [LW1A-B2-R](#) [LW2A-B1-G](#) [LW2A-B1-S](#) [61-9221.0](#) [61-9221.9](#) [61-9593.0](#) [61-9593.2](#) [61-9600.1](#) [704.604.4](#) [704-6089](#) [704-6097](#)
[704.955.3](#) [76](#) [760203000](#) [760503000](#) [766601000](#) [MG12KB](#) [MH11](#) [MH13](#) [MH16](#) [MHU31](#) [800C2BLK](#) [MJ621](#) [MJ623](#) [MJ626](#) [MJ627](#) [908-](#)
[1634](#) [92-343.200](#) [92-343.400](#) [95CAP-001](#) [95CAP-010](#) [95CAP-112](#) [11-932.7](#) [99-920.8](#) [A0162J](#) [A0163D](#) [11-931.2](#) [11-932.5](#) [11-937](#)
[A16ZT-5011B](#) [121160200](#) [AT496H](#) [AW-RF8](#) [161006](#) [1631032](#) [1631034](#) [1631040](#) [1802169](#) [1825068-6](#)