

# Filterfan® PF1.000



## PF 1.000

For versatile incorporation into equipment. Examples are in the medical industry, in EDP equipment, warning and control enclosures and also for low power applications.



System of protection



Click & fit



Germanischer Lloyd certified



Colour

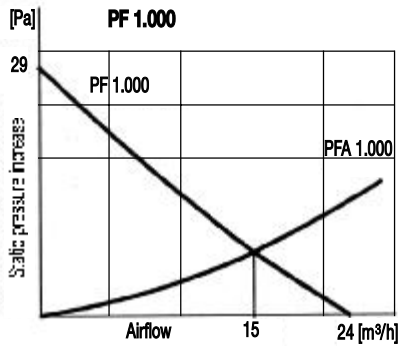
Airflow data:	PF1.000
Filter material (standard grade)	150 g/m <sup>2</sup>
Unimpeded airflow	24 m <sup>3</sup> /h; 50 Hz / 28 m <sup>3</sup> /h; 60 Hz
Capacity* free-flow	8 W/K / 9 W/K
Airflow in combination (Filterfan® + Exhaust Filter)	15 m <sup>3</sup> /h; 50 Hz / 17 m <sup>3</sup> /h; 60 Hz (PF 1.000 + PFA1.000)
Capacity* in combination (Filterfan® + Exhaust Filter)	5 W/K / 6 W/K (PF 1.000 + PFA1.000)
Max. static pressure (Airflow = 0 m <sup>3</sup> /h)	29 Pa
Filtration efficiency	73%
Filter material grade (DIN 24 185)	EU 2
Noise level (DIN 45 635)	39 dB(A)
Duty cycle	100%

\* based on 10 K difference in temperature

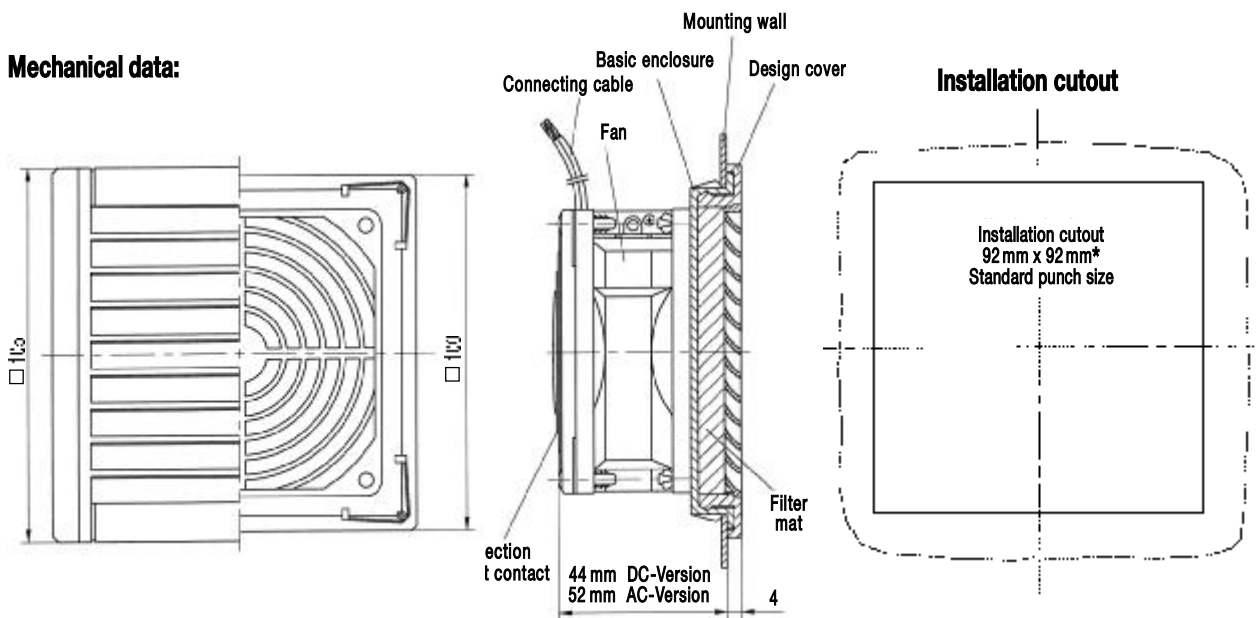
Technical data:	PF1.000	
	AC	DC
Outside dimensions in mm (Height x Width x Installation depth)	105 x 105 x 52	105 x 105 x 44
Bearing type	sleeve bearings	ball bearings
Fitting position	horizontal – vertical	any
Construction	housing and guard of sprayed thermoplastic (PC-FR) self-extinguishing, UL 94 VO	
Weight	0.60 kg	0.45 kg
Safety protection	in accordance with DIN 31 001	
Colour	RAL 7032 (European grey) or black; other colours on request	
Connections	2 wires, 310 mm long	

Electrical data:	PF1.000				
	AC 50 Hz/60Hz		DC		
Rated voltage	230V	115V	12V	24V	48V
Range of operation	187V...253V	97V...127V	7V...15V	14V...28V	36V...56V
Power consumption	12W / 11W	12W / 11W	2.4W	2.4W	2.6W

**Airflow data:**



**Mechanical data:**



Supplementary data:	AC	DC
<b>Climatic data</b>		
Operating temperature	-10 °C to +60 °C	-20 °C to +60 °C
Storage temperature	-20 °C to +70 °C	
Max. relative humidity	90%	
Protection rating	IP43 (EN 60 529), when installed as specified, not for outdoor-application!	
Basic parts kit	standard filter, mounting- and user manual	
Accessories	radiant heater, fan heater, thermostat, see accessories	
Approvals	German Lloyd (GL)	
* Tolerance installation cutout	92 $\pm$ 1 0	

# Filterfan® PF2.000



## PF2.000

For a broad range of applications in electronics as well as conventional switchgear installations; a wide range of operating voltages ensures universal usability.

- With integrated foamed seal to enclosure



System of protection



System of protection (see page 64)



Click & fit



UL-Approval



Colour

Airflow data:	PF 2.000
Filter material*	150 g/m <sup>2</sup>
Unimpeded airflow	58 m <sup>3</sup> /h; 50 Hz / 65 m <sup>3</sup> /h; 60 Hz
Capacity** free-flow	19 W/K / 22 W/K
Airflow in combination (Filterfan® + Exhaust Filter)	43 m <sup>3</sup> /h; 50 Hz / 49 m <sup>3</sup> /h; 60 Hz (PF2.000 + PFA2.000)
Capacity** in combination (Filterfan® + Exhaust Filter)	14 W/K / 16 W/K (PF2.000 + PFA2.000)
Max. static pressure (Airflow = 0 m <sup>3</sup> /h)	61 Pa
Filtration efficiency	73%
Filter material grade (DIN 24 185)	EU 2
Noise level (DIN 45 635)	49 dB(A)
Duty cycle	100%

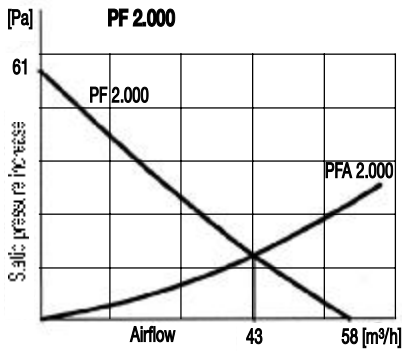
\* Standard filter mat 150 g/m<sup>2</sup> (alternative filter mat in 350 g/m<sup>2</sup>, 500 g/m<sup>2</sup>)

\*\* based on 10 K difference in temperature

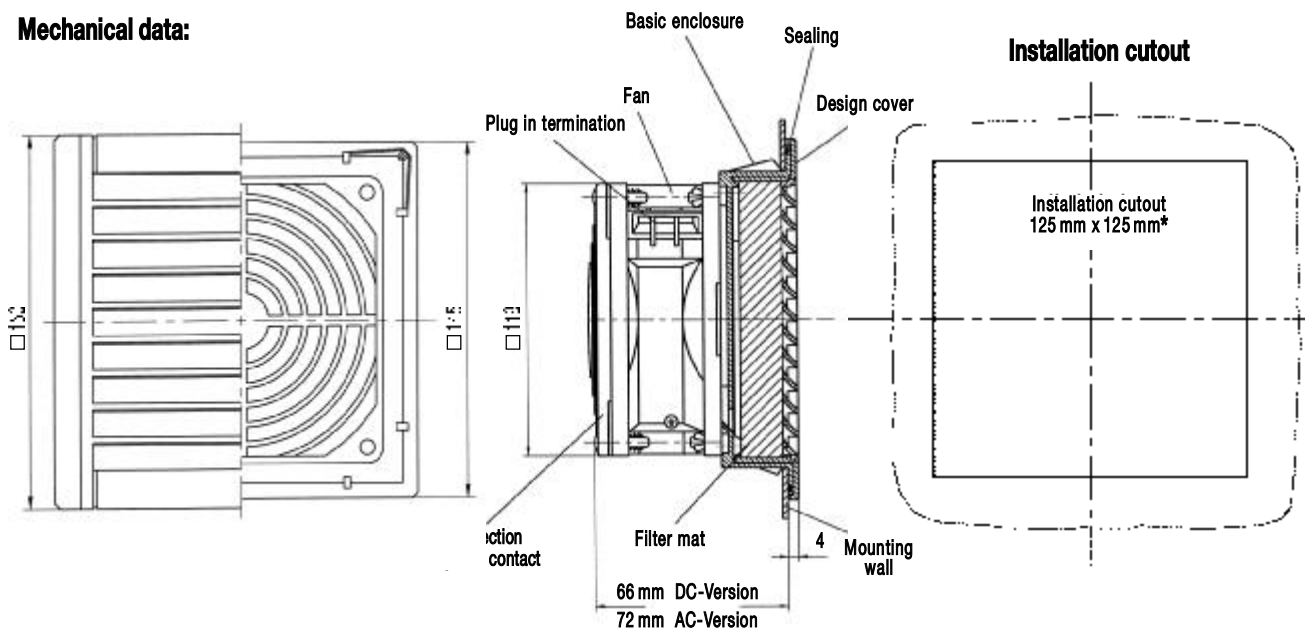
Technical data:	PF 2.000	
	AC	DC
Outside dimensions in mm (Height x Width x Installation depth)	150 x 150 x 72	150 x 150 x 66
Bearing type	sleeve bearings	ball bearings
Fitting position	horizontal – vertical	any
Construction	housing and guard of sprayed thermoplastic (ABS-FR) self-extinguishing, UL 94 VO	
Weight	0.735 kg	0.385 kg
Safety protection	in accordance with DIN 31 001	
Colour	RAL 7032 (European grey) or black; other colours on request	
Connections	terminal strip	2 wires, 310 mm long

Electrical data:	PF 2.000				
	AC 50 Hz/60 Hz		DC		
Rated voltage	230V	115V	12V	24V	48V
Range of operation	187V...253V	97V...127V	6V...14V	18V...30V	36V...56V
Power consumption	19W / 18W	20W	5W	5W	5W

**Airflow data:**

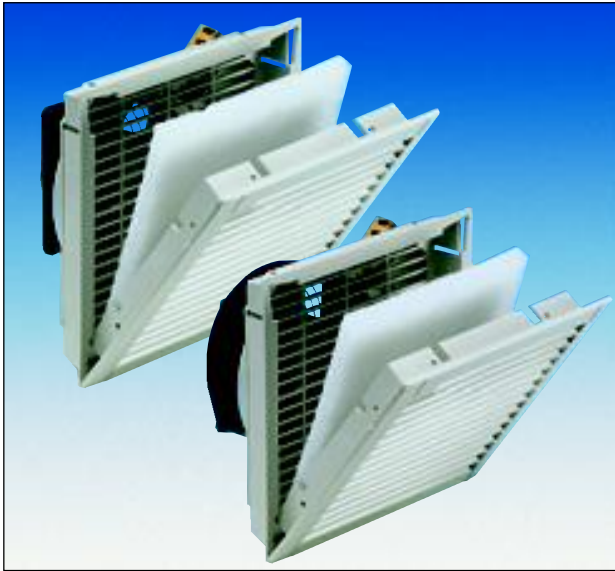


**Mechanical data:**



Supplementary data:	AC	DC
<b>Climatic data</b>		
Operating temperature	-10 °C to +55 °C	-20 °C to +55 °C
Storage temperature	-20 °C to +70 °C	
Max. relative humidity	90%	
Protection rating	IP 54 (EN 60529), when installed as specified, not for outdoor-application!	
Basic parts kit	standard filter, mounting- and user manual	
Accessories	radiant heater, fan heater, thermostat, see accessories	
* Tolerance installation cutout	125 $\pm$ 1 thickness of material to 2 mm 126 $\pm$ 1 thickness of material > 2 mm < 3 mm	

# Filterfan® PF2.500, PF3.000



## PF 2.500

For medium range applications in plant and machine equipment.

## PF 3.000

The same size PF2.500 but with a more powerful fan.

- With integrated foamed seal to enclosure (PF 2.500, PF 3.000)



System of protection



System of protection (see page 64)



AC



DC



Click & fit



Output compatibility



Germanischer Lloyd certified (PF 3000)



UL-Approval granted/applied for



Colour

Airflow data:	PF 2.500	PF 3.000
Filter material*	150 g/m <sup>2</sup>	150 g/m <sup>2</sup>
Unimpeded airflow	155 m <sup>3</sup> /h; 50 Hz / 170 m <sup>3</sup> /h; 60 Hz	255 m <sup>3</sup> /h; 50 Hz / 292 m <sup>3</sup> /h; 60 Hz
Capacity** free-flow	52 W/K / 57 W/K	85 W/K / 97 W/K
Airflow in combination (Filterfan® + Exhaust Filter)	108 m <sup>3</sup> /h; 50 Hz / 118 m <sup>3</sup> /h; 60 Hz (PF 2.500 + PFA 3.000)	231 m <sup>3</sup> /h; 50 Hz / 265 m <sup>3</sup> /h; 60 Hz (PF 3.000 + PFA 3.000)
Capacity** in combination (Filterfan® + Exhaust Filter)	36 W/K / 39 W/K (PF 2.500 + PFA 3.000)	77 W/K / 88 W/K (PF 3.000 + PFA 3.000)
Max. static pressure (Airflow = 0 m <sup>3</sup> /h)	62 Pa	115 Pa
Filtration efficiency	73%	
Filter material grade (DIN 24 185)	EU 2	
Noise level (DIN 45 635)	53 dB (A)	55 dB (A)
Duty cycle	100%	

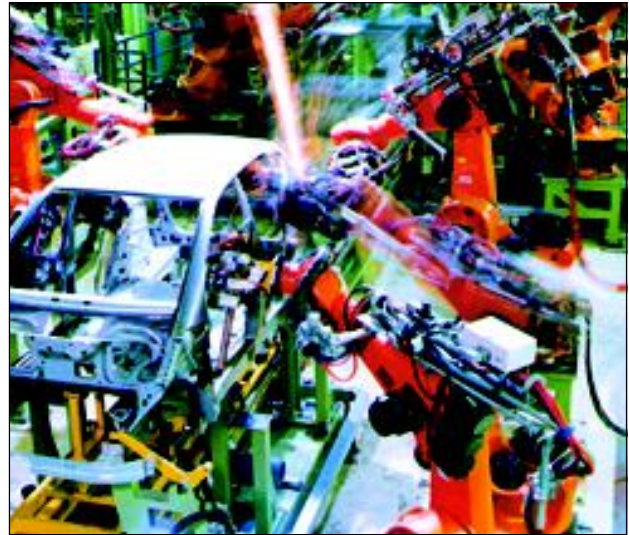
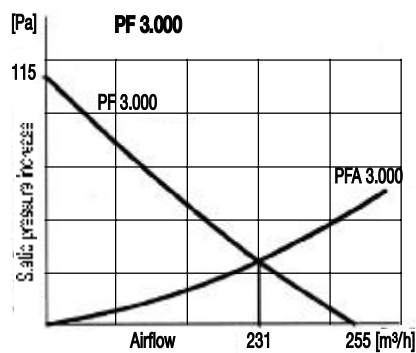
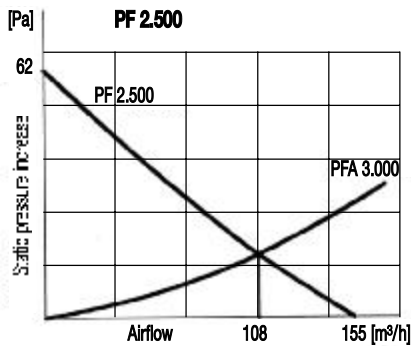
\* Standard filter mat 150 g/m<sup>2</sup> (alternating filter mat in 350 g/m<sup>2</sup>, 500 g/m<sup>2</sup>) \*\* based on 10K difference in temperature

Technical data:	PF 2.500 AC/DC	AC	PF 3.000	DC
Outside dimensions in mm (Height x Width x Installation depth)	250 x 250 x 111	250 x 250 x 121		
Bearing type	ball bearings			
Fitting position	any, horizontal airflow preferred			
Construction	housing and guard of sprayed thermoplastic (ABS-FR) self-extinguishing, UL 94 V0			
Weight	1.75 kg	1.75 kg	1,50 kg	
Safety protection	in accordance with DIN 31 001			
Colour	RAL 7032 (European grey) or black; other colours on request			
Connections	terminal strip			

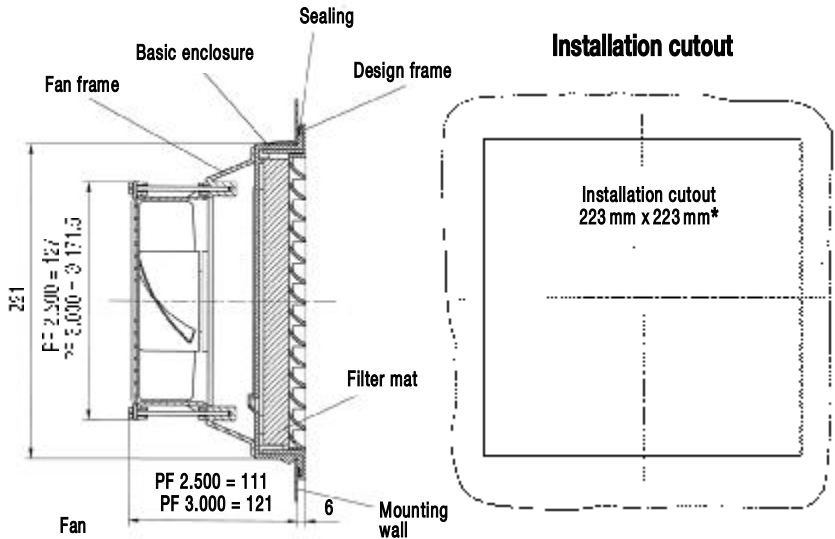
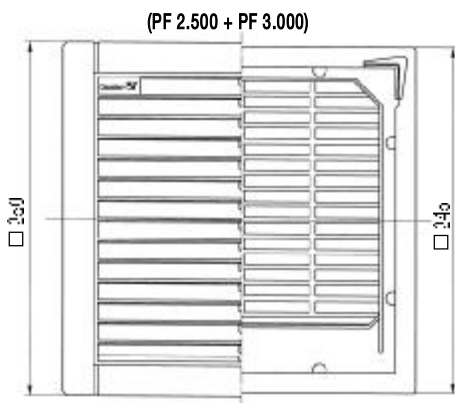
Electrical data:	AC 50 Hz/60 Hz		PF 2.500			
			DC			
Rated voltage	230V	115V	12V	24V	48V	
Range of operation	187V...253V	97V...127V	8V...14V	18V...30V	36V...56V	
Power consumption	18W / 17W	18W / 17W	5W	4.7W	4.6W	
	AC 50 Hz/60 Hz		PF 3.000			
			DC			
Rated voltage	400V / 440V	230V	115V	12V	24V	48V
Range of operation	369V...484V	187V...253V	97V...127V	8V...15V	18V...30V	36V...56V
Power consumption	41W / 38W	45W / 39W	40W	12W	18W	17W



**Airflow data:**



**Mechanical data:**



Supplementary data:	AC	DC
<b>Climatic data</b>		
Operating temperature	-10 °C to +55 °C	-20 °C to +55 °C
Storage temperature	-20 °C to +70 °C	
Max. relative humidity	90%	
Protection rating	IP 54 (EN 60 529), when installed as specified, not for outdoor-application!	
Basic parts kit	standard filter, mounting- and user manual	
Accessories	radiant heater, fan heater, thermostat, see accessories	
Approvals	PF3.000 German Lloyd (GL)	
* Tolerance installation cutout	223 $\pm$ 1 thickness of material to 2 mm 224 $\pm$ 1 thickness of material > 2 mm $\pm$ 3 mm	

## **X-ON Electronics**

Largest Supplier of Electrical and Electronic Components

*Click to view similar products for [pfannenberg](#) manufacturer:*

Other Similar products are found below :

[PF43.000 \(230V\)](#) [11720001055](#)