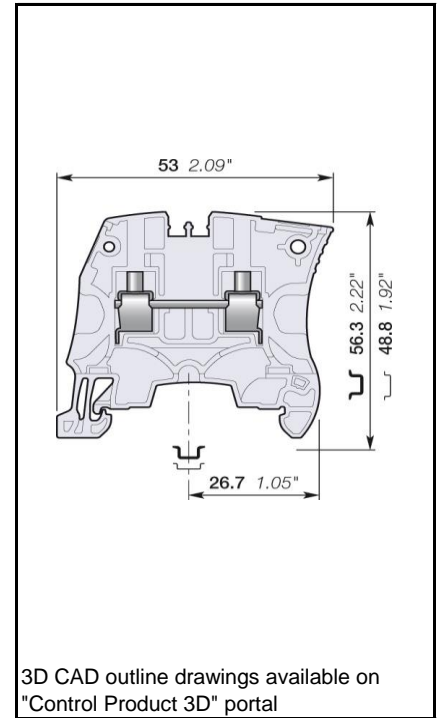


# ZS4 Screw Clamp Terminal Blocks Feed-through

Save space by connecting conductors up to 4 mm<sup>2</sup> (CB certified) 12 AWG in just 5.2 mm 0.205 in spacing.



		<b>4 mm<sup>2</sup></b>
		<b>12 AWG</b>
<b>5.2 mm 0.205 in Spacing</b>		

### Ordering Details

Color	Type	Order Code	EAN Code	Pack <sup>(ing)</sup>	Weight (1 pce)	g
Grey	ZS4	1SNK505010R0000	3472595050109	50		8.77
Blue	ZS4-BL	1SNK505020R0000	3472595050208	50		8.77
Orange	ZS4-OR	1SNK505030R0000	3472595050307	50		8.77
Yellow	ZS4-YL	1SNK505060R0000	3472595050604	50		8.77
Green	ZS4-GN	1SNK505061R0000	3472595050611	50		8.77
Red	ZS4-RD	1SNK505062R0000	3472595050628	50		8.77
Purple	ZS4-PR	1SNK505063R0000	3472595050635	50		8.77
Brown	ZS4-BR	1SNK505064R0000	3472595050642	50		8.77
White	ZS4-WH	1SNK505065R0000	3472595050659	50		8.77
Black	ZS4-BK	1SNK505066R0000	3472595050666	50		8.77

### Declarations and Certificates

CE	CB	RoHS	UL US USR CNR			Gost R	ATEX	IECEX IECEX
					ATEX Declaration			
BR-Ex e ll	Haz Loc	BV	Fina	DNV				

## Declarations and Certificates

	CE	1SND225081C10*
	CB	1SND161017A02*
	RoHS	1SND230491F02*
	USR CNR	1SND161040A02*
	CSA	1SND161070A02*
	GOST R	1SND161005A11*
	ATEX	1SND162004A17*
	IECEX	1SND162005A17*
	BR-Ex e II	1SND161042A02*
	USR CNR Haz Loc	1SND161047A02*
	BV	1SND161073A02*
	RINA	1SND161088A02*
	DNV	1SND161087A02*
Atex Declaration	Atex Declaration	1SND225085C10*

## Explosive Atmosphere: ATEX Classification

Group Category	Protection Method
IM2 II 2 GD Ex eb I/II/IIIC	Ex e: increased security
In the presence of explosive dust atmosphere, terminal blocks are to be installed in certified enclosure II 2D	

## General Information

The following information must be strictly adhered to in order to guarantee the terminal block electrical, mechanical and environmental performance.

Protection	IEC 60947-1	IP20		NEMA 1			
Rail	TH35-7.5, TH35-15	TH35-7.5, TH35-15					
Wire stripping length		10.5 mm	0.413 in				
		Screw clamp		Screw rail contact (Maximum value)		Disconnect device	
Operating tool		Flat screwdriver					
		3.5 mm	0.138 in				
Torque		0.6 N.m	5.31 lb.in				
		± 0.1 N.m	± 0.885 lb.in				

## Material Specifications

Insulating material	Polyamide
CTI	600 V
Flammability	UL94 V0
	NF F 16101 I2F2
	Needle flame test: C 60615-11-5 Compliant

## Connecting capacity per clamp

		Screw clamp			
1 Rigid - Solid / Stranded conductor	Norme	IEC60947-7-1	UL1059		
	Value	0.2 ... 4 mm <sup>2</sup>	24 ... 12 AWG		
1 Flexible conductor	Norme	IEC60947-7-1			
	Value	0.22 ... 4 mm <sup>2</sup>			
1 Flexible conductor with non insulated ferrule	Norme	Manufacturer data	Manufacturer data		
	Value	0.22 ... 4 mm <sup>2</sup>	24 ... 12 AWG		
1 Flexible conductor with insulated ferrule	Norme	Manufacturer data	Manufacturer data		
	Value	0.22 ... 2.5 mm <sup>2</sup>	24 ... 14 AWG		
Gauge		A3-B3	3 mm		
		IEC 60947-1	0.118 in		
Ferrule maximum outer diameter or conductor insulation maximum outer diameter		Manufacturer data	4.7 mm		0.185 in

The "Connecting capacity with ferrule" data is guaranteed with ABB crimping tool PS-3 (crimping capacity up to 10 mm<sup>2</sup>).

As part of its on-going product improvement, ABB reserves the right to modify the characteristics or the products described in this document. The information given is not contractual. For further details please contact the ABB company marketing these products in your country.

## Multi Connecting capacity per clamp

2 Rigid - Solid / Stranded conductors	Norme	IEC60947-7-1	UL1059	
	Value	0.2 ... 1.5 mm <sup>2</sup>	24 ... 16 AWG	
2 Flexible conductors	Norme	IEC60947-7-1		
	Value	0.2 ... 1.5 mm <sup>2</sup>		
2 Flexible conductors with twin ferrule	Norme	Manufacturer data	Manufacturer data	
	Value	0.22 ... 1.5 mm <sup>2</sup>	24 ... 16 AWG	

Don't mix **solid and flexible** conductors **in the same clamp**

Don't mix **solid or flexible** conductors of different sizes **in the same clamp**

The "Connecting capacity with ferrule" data is guaranteed with ABB crimping tool PS-3 (crimping capacity up to 10 mm<sup>2</sup>)

## Cross section

Rated cross section	IEC60947-7-1	4 mm <sup>2</sup>	UL1059	12 AWG
Maximum Cross section	Manufacturer data	4 mm <sup>2</sup>	Manufacturer data	12 AWG

## Electrical characteristics

### Current

Rated current		IEC60947-7-1	32 A
	Field and factory wiring Cat.2	UL 1059	20 A
	Factory wiring Cat.1	UL 1059	
		CSA-C-22.2 n°158	20 A
Maximum Exe current		IEC/EN 60079-7	32 A
Rated short-time withstand current 1 s (I <sub>cw</sub> )		IEC60947-7-1	480 A
Short-time withstand current	0.5 s	Manufacturer data	1152 A
	5 s	Manufacturer data	352 A
	10 s	Manufacturer data	288 A
	30 s	Manufacturer data	160 A
	1 min	Manufacturer data	96 A
Rated short-circuit withstand current		CSA-C-22.2 n°158	
Max. current (45° temperature increase) / Max. cross section (mm <sup>2</sup> )		Manufacturer data	32 A   4 mm <sup>2</sup>
Maximum short circuit current (1s)		Manufacturer data	480 A

## Short Circuit Current Rating (SCCR) SA UL 1059 supplement

SCCR		UL 1059	100 kA
With the following configurations:			
Suitable conductor wire range			14 ... 12 AWG
Maximum voltage			600 V
Fuse class / Max. amp. Rating		J	50 A
		T	50 A
		RK1	
		RK5	
		G	50 A
		CC	30 A

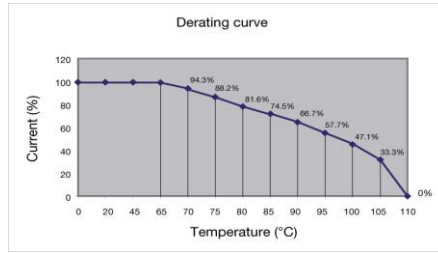
## Voltage

Rated voltage	IEC 60947-1	1000 V
Rated voltage	UL 1059	600 V
Use Group	UL 1059	B, C
Rated voltage	CSA-C-22.2 n°158	600 V
Rated voltage Ex e	IEC/ EN 60079-7	630 V
Rated impulse withstand voltage	IEC 60947-1	8000 V
Dielectric test voltage	IEC 60947-1	2200 V
Pollution degree	IEC 60947-1	3
Overvoltage category	IEC 60947-1	III

## Temperature range

Ambient temperature min/max	Storage	-55 ... +110 °C	-67 ... +230 °F
	Installing	-5 ... +40 °C	-23 ... +104 °F
	Service	-55 ... +110 °C	-67 ... +230 °F

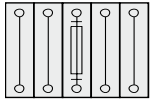
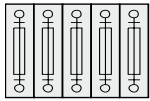
Current Derating curve for continuous service temperature



## Dissipated power

Maximum dissipated power at rated current	IEC 60947-1	1 W
Maximum dissipated power at maximum Exe current	IEC 60079-7	

## Rated power dissipation at an ambient temperature of 23 °C - IEC 60947-7-3

Separate arrangement / Overload and short-circuit protection	 <p>1 fuse and 4 feed-through blocks</p>	
Separate arrangement / Exclusive short-circuit protection		
Compound arrangement / Overload and short-circuit protection	 <p>5 fuse blocks</p>	
Compound arrangement / Exclusive short-circuit protection		

## Environmental Characteristics Additional climatic tests

Dry heat	Conditions	IEC 60068-2 2	Compliant
		Temperature	+100 °C
		Duration of test	96 h
Cyclic damp heat	Conditions	IEC 60068-2 30	Compliant
		Temperature	+55 °C
		Relative humidity	
		Number of cycles (1 cycle = 24h)	2
Cold	Conditions	IEC 60068-2 1	Compliant
		Temperature	-40 °C
		Duration of test	96 h
Damp heat steady state	Conditions	IEC 60068-2-78	
		Temperature	
		Relative humidity	
		Duration of test	

## Corrosion

Salt mist	Conditions	IEC 60068-2 11	Compliant
		Duration of test	96 h
		Concentration	5 %
SO <sub>2</sub>	Conditions	ISO 6988	Compliant
		Duration of test	48 h
		Concentration	0.2 dm <sup>3</sup>
Flowing mixed gas corrosion test	Conditions	IEC 60068-2 60	Compliant
		Number of the test method	3
		Duration of test	21 j

As part of its on-going product improvement, ABB reserves the right to modify the characteristics or the products described in this document. The information given is not contractual. For further details please contact the ABB company marketing these products in your country.

## Vibrations and shocks

Sinusoidal vibrations		IEC 60068-2-6	Compliant
	Conditions	Frequency range	10 ... 55 Hz
		Number of cycles	10
		Acceleration	10 m/s <sup>2</sup>
Functional random vibrations		IEC 61373	
Category 1 Class B 3 axes	Conditions	Duration of test	
		Frequency range	
		Acceleration	
Long life testing at increased random vibrations		IEC 61373	
Category 1 Class B 3 axes	Conditions	Duration of test	
		Frequency range	
		Acceleration	
Shock		IEC 61373	
Category 1 Class B 3 axes	Conditions	Duration of test	
		Acceleration	

## ZS4 Terminal Block Accessories Compatibility

Some accessories may modify the terminal block's rating. See complete information in the accessories catalog page.

Description	Type	Order Code	Pack <sup>(ing)</sup> pieces	Weight g (1 pce)
1 End Stops	BAM3	1SNK900001R0000	50	13.80
	BAZ1	1SNK900002R0000	20	5.30
2 End Sections	ES4	1SNK505910R0000	20	2.18
3 Jumper Bars	JB5-2	1SNK905302R0000	50	1.30
	JB5-3	1SNK905303R0000	50	2.00
	JB5-4	1SNK905304R0000	50	2.70
	JB5-5	1SNK905305R0000	50	3.50
	JB5-10	1SNK905310R0000	30	7.10
	JB5-50	1SNK905350R0000	10	36.10
	4 Cross Spacing Jumpers	JB85-3	1SNK900603R0000	10
5 Circuit Separators	CS	1SNK900101R0000	20	0.20
	CS-R1	1SNK900103R0000	20	5.20
6 Test Adapters	TP2	1SNK900203R0000	20	1.73
	TP4	1SNK900205R0000	20	2.41
7 Test Connectors	TC5	1SNK900200R0000	10	5.23
	TC5-R1	1SNK900201R0000	10	5.23
8 Protecting Cover Kits	KCO	1SNK900624R0000	1	47.80
9 Shield Connectors	SHBS	1SNK900600R0000	20	3.50
10 Protecting Covers	CO	1SNK900604R0000	1	300.00
	PL5	1SNK900618R0000	10	1.50
11 Component Plugs	PG5-R2	1SNK900403R0000	20	8.01
12 Mounting Rails	PR3.G2	1SNA164800R0300	2	
	PR4	1SNA168500R1200	2	915.00
	PR5	1SNA168700R2200	2	
	PR30	1SNA173220R0500	2	328.00
	PR3.Z2	1SNA174300R1700	2	
13 Tools	PS-3	1SNK900650R0000	1	380.00
14 Terminal Block Markers	MC512	1SNK140000R0000	22	9.00
	MC512-YL	1SNK140004R0000	22	9.00
	MC512PA	1SNK149999R0000	20	10.00
	PROCAP5	1SNK900609R0000	20	0.69
	UMH	1SNK900611R0000	10	0.20
	SAT5	1SNK900614R0000	5	6.00
15 Screw Clamp Terminal Blocks	ZS4	1SNK505010R0000	50	8.77

As part of its on-going product improvement, ABB reserves the right to modify the characteristics or the products described in this document. The information given is not contractual. For further details please contact the ABB company marketing these products in your country.

# Contact us

**ABB France**  
**Low Voltage Products Division**  
**Export Department**  
10, rue Ampère Z.I. - B.P. 114  
F-69685 Chassieu cedex / France  
Tel. +33 (0)4 7222 1722  
Fax +33 (0)4 7222 1935

*Note*

*We reserve the right to make technical changes or modify the contents of this document without prior notice. With regard to purchase orders, the agreed particulars shall prevail. ABB does not accept any responsibility whatsoever for potential errors or possible lack of information in this document.*

*We reserve all rights in this document and in the subject matter and illustrations contained therein. Any reproduction, disclosure to third parties or utilization of its contents – in whole or in parts – is forbidden without prior written consent of ABB.*

Copyright© 2011 ABB  
All rights reserved

1SNK161001D0201 - PDF

## **X-ON Electronics**

Largest Supplier of Electrical and Electronic Components

*Click to view similar products for [entrelec](#) manufacturer:*

Other Similar products are found below :

[023103024](#) [023000107](#) [1SNK505310R0000](#) [017322627](#) [011762822](#) [016511417](#) [016340320](#) [1SNK516020R0000](#) [023300421](#)

[1SNK510010R0000](#) [018731214](#) [011870703](#) [010500220](#) [011511607](#) [023300227](#) [016049626](#) [017666704](#) [1SNK508411R0000](#) [023300320](#)

[016548827](#) [023300001](#) [012511813](#) [017301610](#) [011546820](#) [010500127](#)