

DESKTOP & INSTRUMENT CASES

92 Series Comms Boxes

UNIVERSAL ENCLOSURES

Low profile and deep profile plastic housings with removable end panels. Designed for communication equipment such as Wi-Fi routers.

HAND HELD CASES

HEAVY DUTY ENCLOSURES

DIN RAIL BOXES

INTERFACE SUPPORTS

CONTROL STATIONS

DIECAST & METAL BOXES

DESKTOP & INSTRUMENT CASES

POTTING BOXES

19" ENCLOSURES

19" CABINETS

DEVELOPMENT BOARD ENCLOSURES

CUSTOM SIZED ENCLOSURES

CUSTOM SERVICES

SPECIFICATION

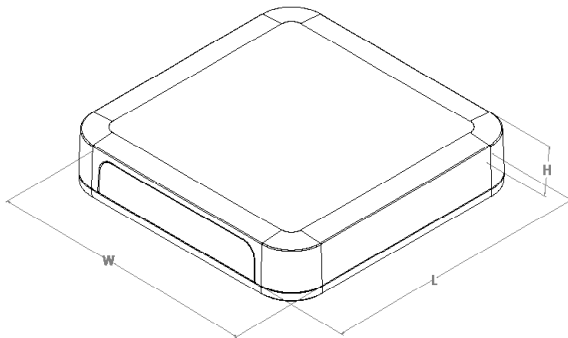
Materials	Base, top and panel UL94-V0 ABS
Protection class	IP40
Operating temperature	-10°C to +60°C
Standard colours	Dark grey and off-white
Standard unit includes	Base, top & panel 4x Self tapping screw 4x rubber feet

- Stylishly designed ABS plastic case with double detachable panels.
- Flame resistant ABS (UL94-V0), 8 sizes, available in off-white and dark grey colour
- Equipped with built-in bosses for PCB mounting
- Suitable for WiFi access points, measuring equipment, controller and communication applications

TAKACHI



DARK GREY	OFF-WHITE	LENGTH	WIDTH	HEIGHT
PF15-3-10D	PF15-3-10W	100	150	30
PF15-5-10D	PF15-5-10W	100	150	45
PF15-3-15D	PF15-3-15W	150	150	30
PF15-5-15D	PF15-5-15W	150	150	45
PF20-4-13D	PF20-4-13W	135	200	40
PF20-6-13D	PF20-6-13W	135	200	60
PF20-4-20D	PF20-4-20W	200	200	40
PF20-6-20D	PF20-6-20W	200	200	60



X-ON Electronics

Largest Supplier of Electrical and Electronic Components

Click to view similar products for [takachi](#) manufacturer:

Other Similar products are found below :

[AWC11-15](#) [TWF13-3-13W](#) [LC115-N-W](#) [LC135H-N-D](#) [CS90-B](#) [CS115N-B](#) [CS90-W](#) [LC115-F2-D](#) [PF15-3-10W](#) [PF20-4-13D](#) [TWF7-4-11W](#) [CSPB-115](#) [LCSC115H-N](#) [PF10-6-15D](#) [PF13-3-19W](#) [PF13-4-9D](#) [PF24-4-24W](#) [PFF18-4-12W](#) [AWN16-9-18EBB](#) [AWSP16-9B](#) [TMC-4PG](#) [LC165H-N-D](#) [TWN11-5-22W](#) [WP8-10-2G](#) [PF20-6-13D](#) [TWF11-8-22W](#) [CSSC90-OP-C](#) [LC165H-M4-D](#) [TWF7-2-11D](#) [HIT23-7-18SS](#) [WP11-15-3C](#) [CSPB-90](#) [LC145-M2-D](#) [LC145S-F6-D](#) [LCSC145H-Y](#) [LCSC145S-B](#) [PF13-3-13D](#) [PS-50B](#) [WC72-15-N-BM](#) [WC90-15-C-BM](#) [WCPB-72](#) [WH125-20-N-BR](#) [WP6-8-2G](#) [WP8-8-2G](#) [PFF-M2.5D](#) [TWN4-2-8W](#) [LC165-M4-D](#) [PF20-6-13W](#) [WP11-15-3G](#) [WH145-20-N-BR](#)