

PF 22.000 Filterfan PFA 20.000 Exhaust filter

- Installation size 2, air flow rate up to 70 m³/h
- System of protection IP 54 and IP 55, NEMA type 12
- UL, cUL approval
- UV-resistance (IP 55 version)
- Cut-out compatible with installation size 2 from the 3rd Generation (see page 150)



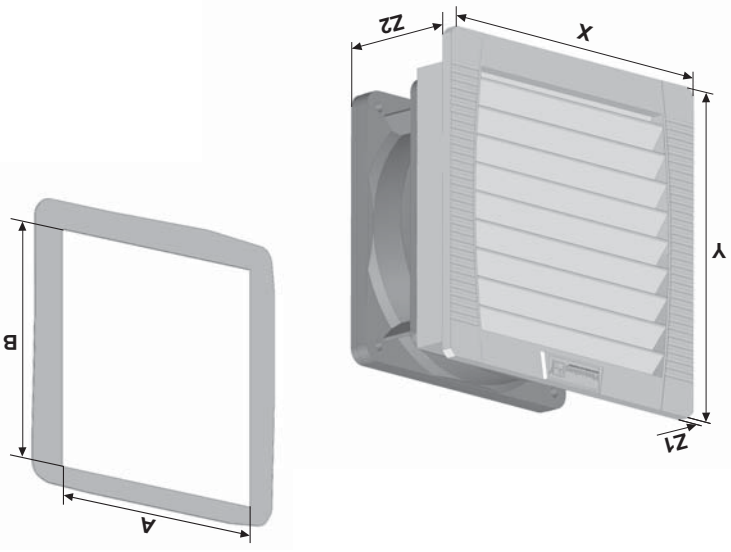
Data

Article number	AC 50 Hz / 60 Hz			DC
	11622103055	11622153055	11622853055	
IP 54	11622101055	11622151055	11622851055	11622801055
IP 55	11622103055	11622153055	11622853055	11622703055

Rated voltage ± 10 %	230			12	24	48
	115	115	115			
IP 54	61 / 70	56 / 64	44 / 52	40 / 46		
IP 55						
Air flow rate in combination (PF + PFA 20.000)						
IP 54	19 / 18	20 / 20	5	5	5	
IP 55						
Power consumption						
IP 54	0.12 / 0.18	0.24 / 0.23	0.42	0.21	0.1	
IP 55						
Noise level (according to EN ISO 3741)		44 / 44		0.44		
Weight		0.7		terminal strip		
Type of connection		cable, 2-core, length 310 mm		6		
Fuse		IP 54		NEMA type 12 - standard filter		
System of protection according to EN 60529 / UL 50		IP 54		NEMA type 12 - fluted filter		
IP 54		IP 55		88		
Filtration efficiency		IP 54		91		
IP 55		IP 54		G 3		
Filter mat quality class ¹		IP 55		G 4		
Duty cycle		sleeve bearing		ball bearing		
Bearing type		37500		40000		
Service life L ₁₀ (+ 40 °C) ²		- 15 ... + 55 / + 5 ... + 131		°C / °F		
Temperature range		IP 54		made of injection-moulded thermoplastic, self-extinguishing, UL 94 VO		
Design (housing and protection against accidental contact)		IP 55		additional: UV-resistant		
Colour		RAL 7035 ³		Article number		

Accessories		Piece	Article number
Thermostat		1	17121000000
Exhaust filter PFA 20.000		1	11720003055
IP 54		1	11720001055
IP 55		1	11720003055
149			

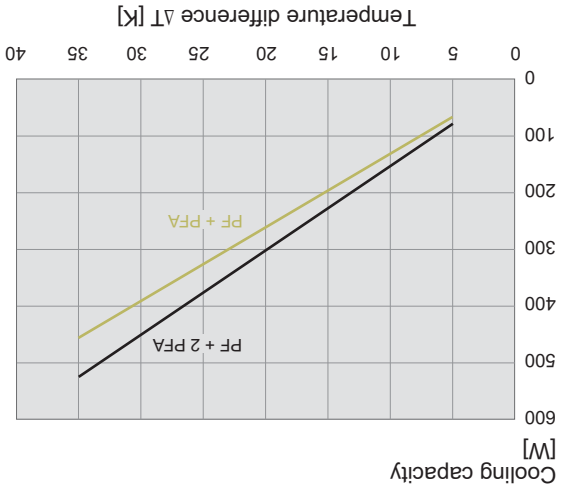
¹ according to DIN EN 779
² fan failure is defined as being when the current and speed deviate or the operating noises are out of the ordinary
³ different colours available on request
 Approvals see page 111



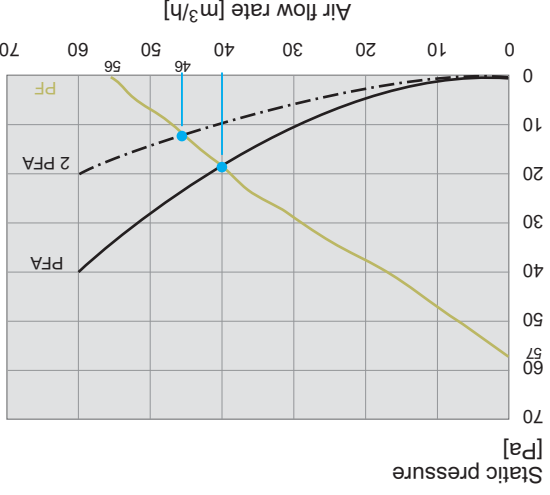
mm	PF 22.000	PFA 20.000
X	145	145
Y	145	145
Z1	5	5
Z2	70	64
A	125	125
B	125	125

¹ for material thicknesses up to 2 mm
² +1 mm for thickness of material > 2 mm ≤ 3 mm

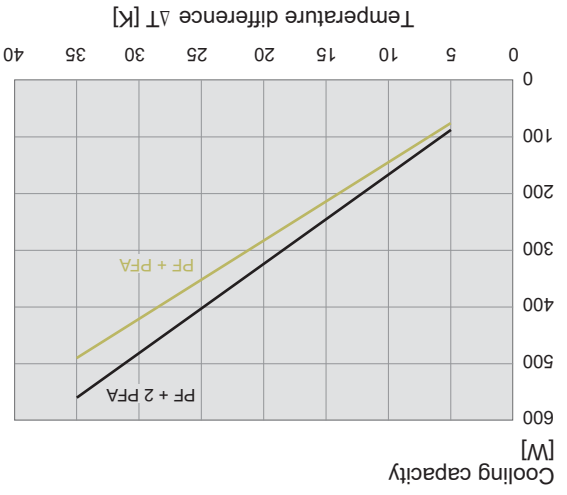
Dimensions



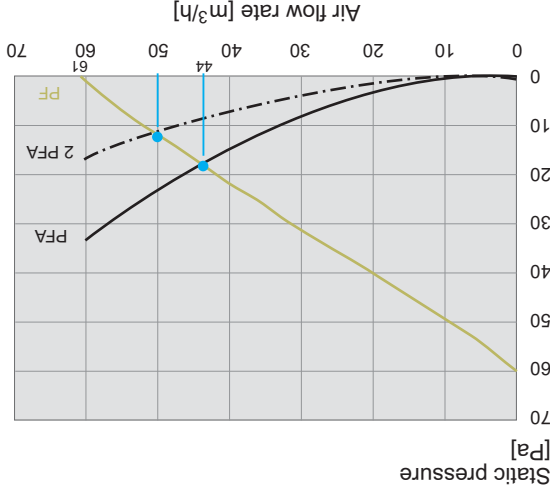
PF 22.000 IP 55



PF 22.000 IP 55



PF 22.000 IP 54



PF 22.000 IP 54

Static pressure performance curves

Cooling capacity performance curve

X-ON Electronics

Largest Supplier of Electrical and Electronic Components

Click to view similar products for [pfannenberg](#) manufacturer:

Other Similar products are found below :

[PF43.000 \(230V\)](#) [11720001055](#)