

**PLEASE CHECK WWW.MOLEX.COM FOR LATEST PART INFORMATION**

**Part Number:** **0432028113**  
**Status:** **Active**  
**Overview:** Modular Jacks and Plugs  
**Description:** Modular Jack, Right Angle, Low Profile, 8/8, Key

**Documents:**

[3D Model](#) [Test Summary TS-43202-002 \(PDF\)](#)  
[Drawing \(PDF\)](#) [RoHS Certificate of Compliance \(PDF\)](#)  
[Product Specification PS-43202-001 \(PDF\)](#)

**Agency Certification**

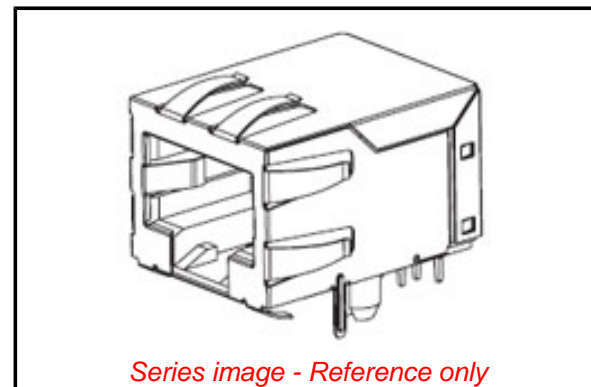
CSA LR19980  
 UL E107635

**General**

Product Family Modular Jacks/Plugs  
 Series [43202](#)  
 Component Type PCB Jack  
 Magnetic No  
 Overview [Modular Jacks and Plugs](#)  
 Performance Category 3  
 Power over Ethernet (PoE) N/A  
 Product Name RJ45  
 UPC 800754237116

**Physical**

Boot Color N/A  
 Color - Resin Black  
 Durability (mating cycles max) 500  
 Flammability 94V-0  
 Inverted / Top Latch No  
 Jack Height 11.58mm  
 Keying to Mating Part Yes  
 Lightpipes/LEDs None  
 Material - Metal Phosphor Bronze  
 Material - Plating Mating Gold  
 Material - Plating Termination Tin  
 Material - Resin High Temperature Thermoplastic  
 Net Weight 2.582/g  
 Orientation Right Angle (Side Entry)  
 PCB Locator Yes  
 PCB Retention Yes  
 PCB Thickness - Recommended 1.57mm  
 Packaging Type Tray  
 Panel Mount Without Flange  
 Pitch - Mating Interface 1.02mm  
 Pitch - Termination Interface 1.27mm  
 Plating min - Mating 1.270µm  
 Plating min - Termination 2.540µm  
 Ports 1  
 Positions / Loaded Contacts 8/8  
 Surface Mount Compatible (SMC) No  
 Temperature Range - Operating -40°C to +85°C  
 Termination Interface: Style Through Hole  
 Waterproof / Dustproof No  
 Wire/Cable Type N/A



Series image - Reference only

**EU ELV**

**Not Relevant**

**EU RoHS**

**Compliant**

**REACH SVHC**

Not Contained Per  
 -ED/79/2015 (17  
 December 2015)

**Halogen-Free**

**Status**

**Not Low-Halogen**

**Need more information on product  
 environmental compliance?**

Email [productcompliance@molex.com](mailto:productcompliance@molex.com)  
 Please visit the [Contact Us](#) section for any  
 non-product compliance questions.

China ROHS

ELV

Green Image

Not Relevant

**Search Parts in this Series**

[43202](#) Series

**Mates With**

FCC 68 Plugs

**Electrical**

Current - Maximum per Contact	1.5A
Grounding to PCB	No
Grounding to Panel	None
Shielded	No
Voltage - Maximum	150V AC (RMS)

**Solder Process Data**

Lead-freeProcess Capability	WAVE
-----------------------------	------

**Material Info**

Old Part Number	A432028113
-----------------	------------

**Reference - Drawing Numbers**

Product Specification	PS-43202-001, RPS-43202-002
Sales Drawing	SDA-43202
Test Summary	TS-43202-002

This document was generated on 02/01/2016

**PLEASE CHECK [WWW.MOLEX.COM](http://WWW.MOLEX.COM) FOR LATEST PART INFORMATION**

## X-ON Electronics

Largest Supplier of Electrical and Electronic Components

*Click to view similar products for [molex](#) manufacturer:*

Other Similar products are found below :

[60506-C-50](#) [73108](#) [72903](#) [1062837003](#) [0533241060](#) [68301-1017](#) [71506-C](#) [880504](#) [387790039](#) [53254-0710](#) [85071-0017](#) [387204903](#)  
[783472003](#) [514412093](#) [0026482195](#) [0191310031](#) [503308-4410](#) [0008650814](#) [791099208](#) [0039000218](#) [89762-1403](#) [89762-1542](#) [89762-1582](#)  
[0011404526](#) [00136](#) [0022173102](#) [0026615060](#) [CR4006A30M003](#) [0039532085](#) [58098-0628](#) [0003092041](#) [0008520123](#) [0011030025](#)  
[0011184017](#) [0022162060](#) [0022552102](#) [01312](#) [M15730061](#) [61432](#) [6150300002](#) [CS63W64](#) [CS8264N](#) [CS8365N](#) [CS8369](#) [62201-8780](#) [62500-1774](#) [M37730026](#) [63103-50](#) [63443-2215](#) [63443-3160](#)