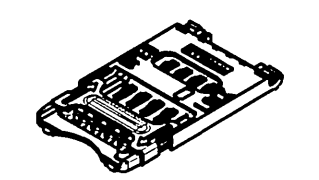
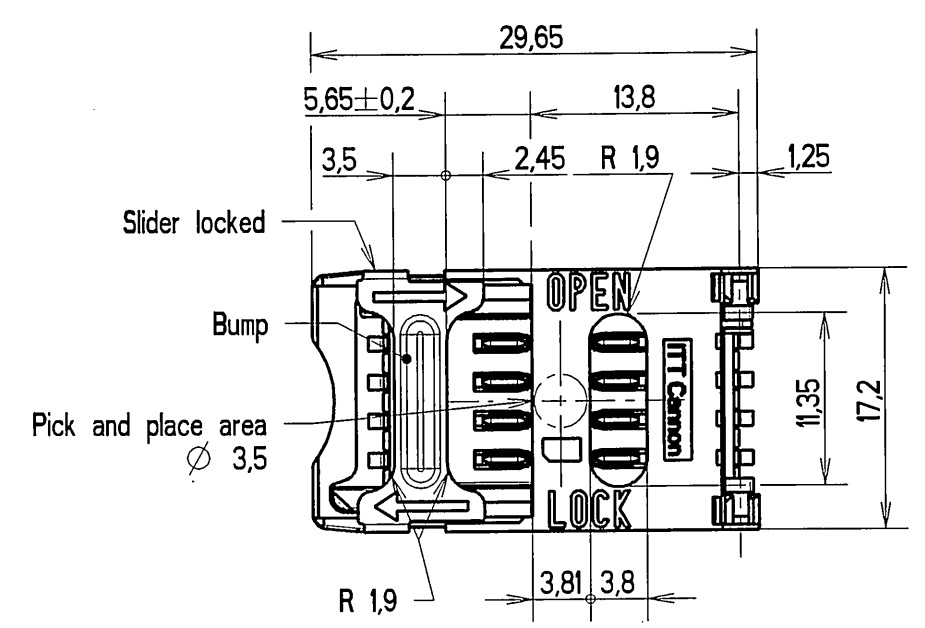
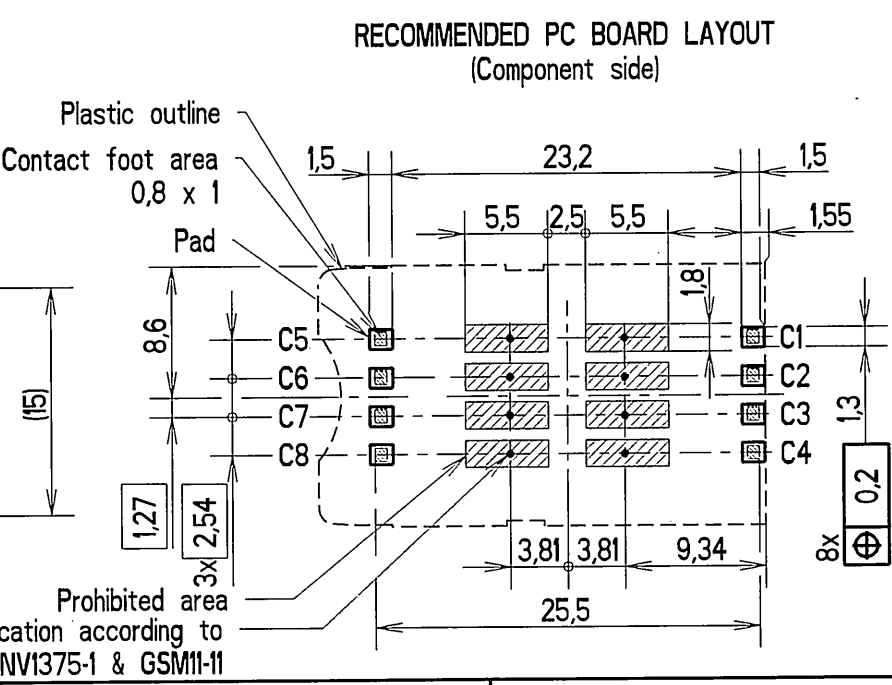
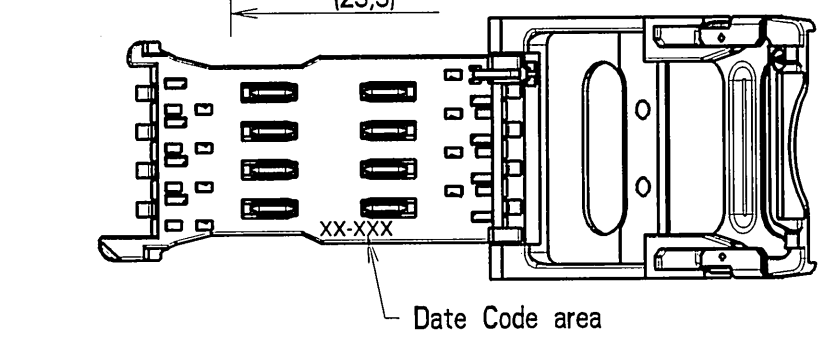
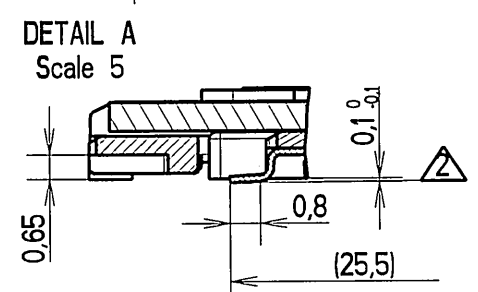


Scale 1



SYSTEM CONFIDENTIAL



- Notes :
- 1 - Termination to PCB : SMT reflow soldering. Temperature/time profile according to ITT Industries PS-LF-001 specification.
 - 2 - Level of each contact tail compared to the surrounding base of the insulator. Coplanarity of metal soldering surfaces : 0,1 mm.
 - 3 - 2,5 microns min tin on terminal areas.
 - 4 - Contact forces :
 - max 0,5 N per contact with max. card thickness.
 - min 0,2 N per contact with min. card thickness.

- 5 - Precious metal inlay on signal contacts.
- 6 - Operating temperature : -40° C +85° C.
- 7 - Locking force : 4 N ±2N.
- 8 - Retention force of the metal lock on the plastic cover : 20 N min.
- 9 - Cover is replaceable.
- 10 - For packaging on tape and reel, see documents :
 - cu 030276Y0026 : for standard orientation.
 - cu 030276Y0027 : for reversed orientation.

MATIERE	TRAITEMENT			PROTECTION	
SAUF INDIQUE :	TOL LINEAIRE	± 0,1	TOL ANGULAIRE	± 1	DIMENSIONS CRITIQUES ▼
-COTES DONNEES AVANT PROTECTION	ETAT DE SURFACE			Ra	DIMENSIONS SPC ▼
-BAVURES ET ARETES VIVES SUPPRIMEES				ll	
DESSINE	P.DAUBIGNEY	DATE	23-09-05	ANALYSE	N
VERIFIE	G.PINON	DATE	23-09-05	TAB. FAM.	Y
APPROUVE	L.KUBAT	DATE	23-09-05	PRO/E	Y
REPLACE			LANGAGE		
E					
Cannon 		PROJECTION 1-ER DIEDRE 		DESIGNATION CCM03-3003LFT 2x4 contacts	
BP 359 - 39105 Dole - FRANCE -		ECHELLE 2,000		NUMERO CU 030288Y3003	
		TAILLE A3		FEUILLE 1 / 1	
				REV CU	

CE PLAN EST LA PROPRIETE DE ITT C & I ET NE PEUT ETRE REPRODUIT OU COMMUNIQUE SANS SON AUTORISATION

X-ON Electronics

Largest Supplier of Electrical and Electronic Components

Click to view similar products for [itt manufacturer](#):

Other Similar products are found below :

[NEM-QTHSSB-68PGNS-B](#) [MJSR-34PL61](#) [096520-0863](#) [096520-0927](#) [153205-3053](#) [096522-0534](#) [097391-0281](#) [MDM-37PCBR-F222](#)
[MJSR-42PH003](#) [MDM-51PCBRP-L56](#) [CV3456L28-15P](#) [KPSE06F20-41SA206F0](#) [CB2-18-3SCA232](#) [MS3106E22-14P](#) [252-7689-001](#)
[CA3108E14S-5PBA176A232](#) [130680-0000](#) [097414-0074](#) [CA3101E10SL-4SF80DN](#) [CA3101E10SL-4PBA176F42](#) [053513-4377](#)
[MS3100F14S-7S](#) [051212-0001](#) [MS3101E181SW](#) [980-8001-545](#) [024253-0025](#) [024265-0001](#) [024270-0015](#) [024273-0043](#) [024288-0001](#)
[M24308/24-21F](#) [CT1F22-7SS](#) [CT2-20-23SWS](#) [CT2-20-23SXS](#) [CT2-32-5PC](#) [CT2-36-10PCAU](#) [CT6-24-11PSA206](#) [CT6F9767-14-4-14S-5PC](#)
[CT6T9767-14-4-14SA7SS](#) [D38999/20FG16PA-LC](#) - [D38999/26JH21PB-LC](#) [MD1-21PS](#) [MDM-15PH001B-A174](#) [MDM-15PH003B-A174](#)
[MDM-21SCBR-A174](#) [MDM-21SCBRP-A174](#) [MDM-21SH003B](#) [MDM25PH003BF222](#) [MDM-31SBRP](#) [MDM-37PBRT](#)