

Series **D xx S 24A 6 xx 09 LF**

Number of contacts
09 , 15 , 25 , 37 , 50

Contacts
S : Socket

Plating
6 = 500 Mating / Unmating Mini

Packaging specification
Tray

See Note RoHS

Termination

Code	Type	Foot Print/Pitch	Length of termination	PCB thickness
24A	Straight version	6 / 2.84mm	2	1.6

Mounting Options

RL	Insert M3
RV	Female Screw UNC 4-40
RX	Insert UNC 4-40

NOTE RoHS INFORMATION

- The "LF" product meet european union Directives and other country regulations asdescribed in GS-22-008.
- The housing will whistand exposure to 260^o peak temperature for 30 seconds in a convection , infra-red or vapor reflow oven. See application notes/procedures if are available.
- Termination plating spec:1.27 μ Nickel mini,2.5 to 7.5 μ Sn(pure mate)
- Shell plating : Nickel bright
- Accessories : Sn pure bright
- Packaging spec ; See GS-14-920

Product Specification

see : GS-12-372

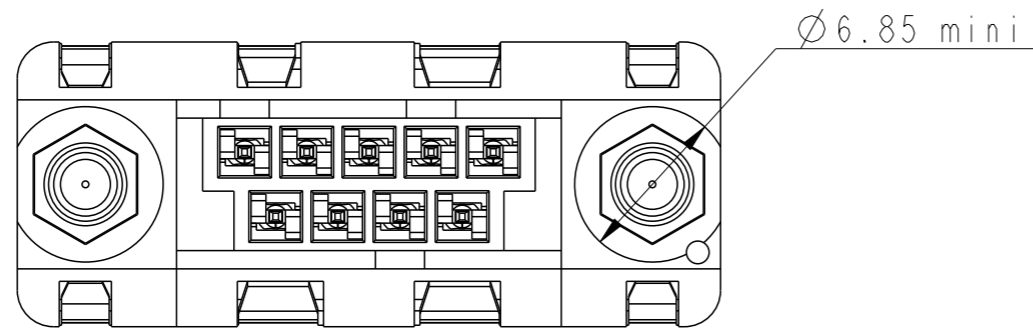
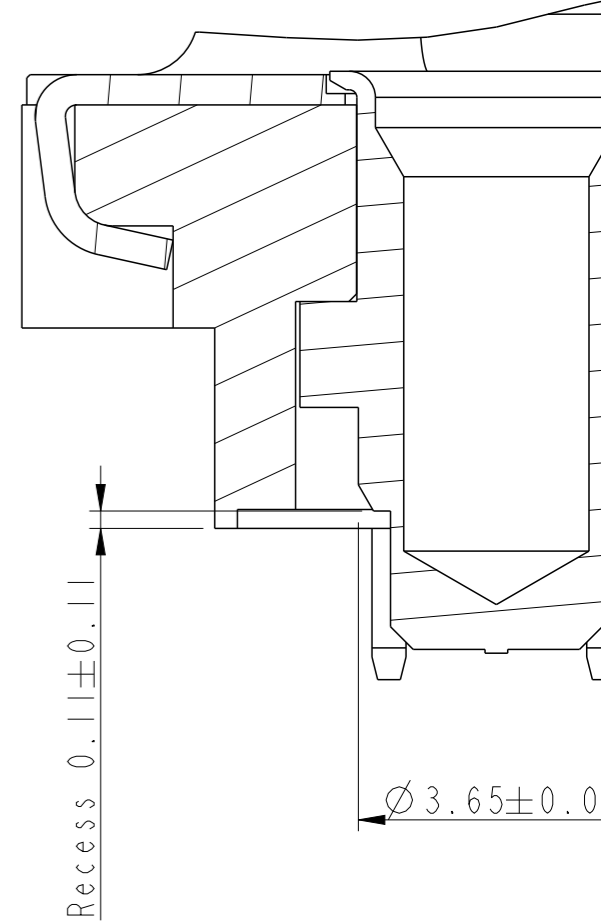
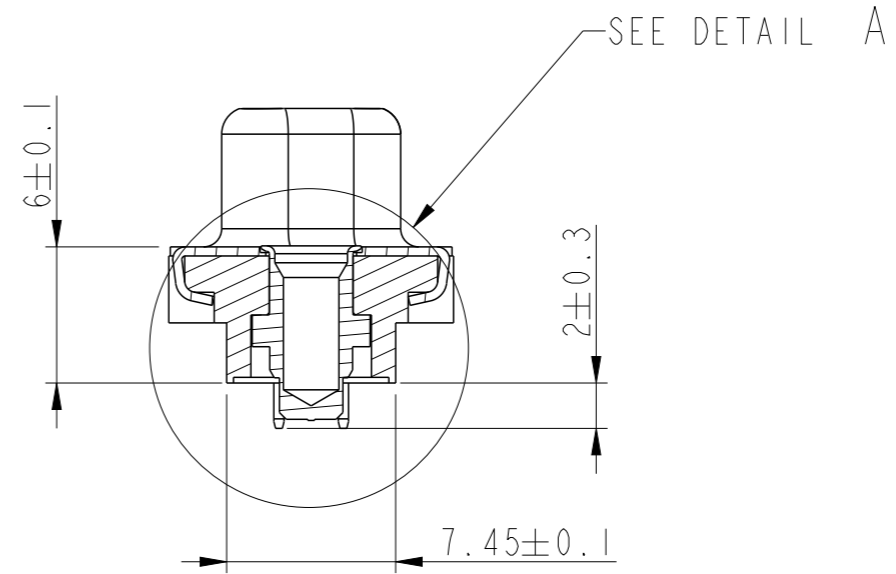
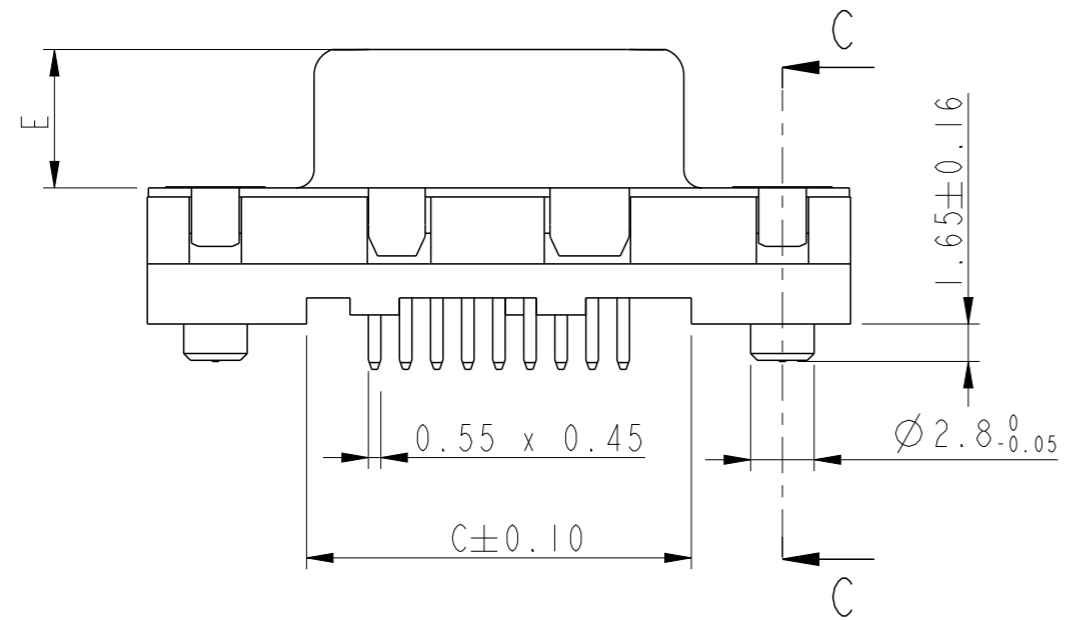
Packaging Specification

See GS-14-1061

www.fciconnect.com		surface <input checked="" type="checkbox"/> ISO 1302	tolerance std ISO 406 ISO 1101	projection	mm
TOLERANCES UNLESS OTHERWISE SPECIFIED					
Dr	P. CRON	02/02/06	ANGULAR	0.X ±0.3	size A3
Eng	H. LEGALLIC	02/02/06	LINEAR	0.XX ±0.1	Scale 1:1
Chr	NIRMAL G	2010-10-14	0° ±2°	0.XXX ±0.05	ECN 110-0197
Appr	SUDHIR V	2010-10-14	Product family	-	Spec ref -
FCi		SUB DELTA D PIP FEMALE H=2		dwg no C01-8646-0879	Rev. H
straight for tray		SEE TABLE		CUSTOMER	sheet 1 of 3
catalog no					

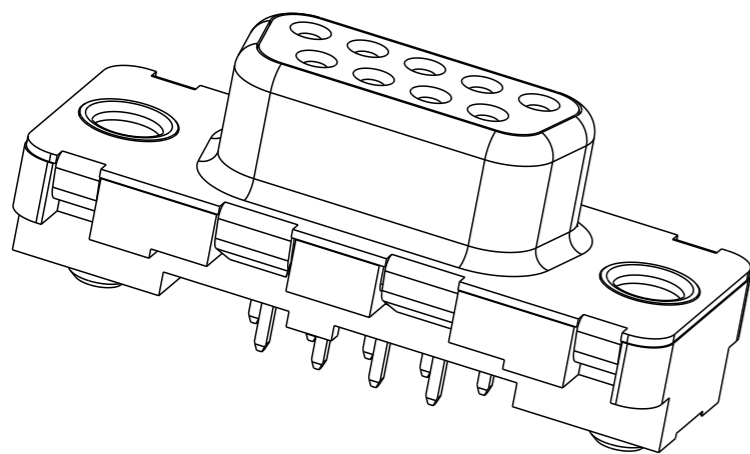
rev	ecn no	dr	date
H	110-0197	NG	2010-10-14
-	-	-	-
-	-	-	-
D	LS06.0220	PCR	2006/12/21
E	LS07-0007	PCR	2007/01/11
F	LS07-0050	HLE	2007/02/03
G	110-0120	NG	2010-05-27

SECTION C-C

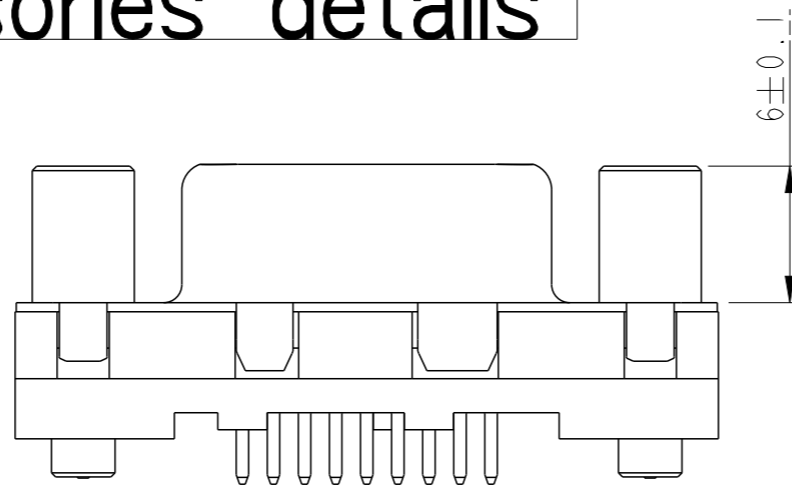


SHELL	P/M LEAD FR
09	D09S24A6xx
15	D15S24A6xx
25	D25S24A6xx
37	D37S24A6xx

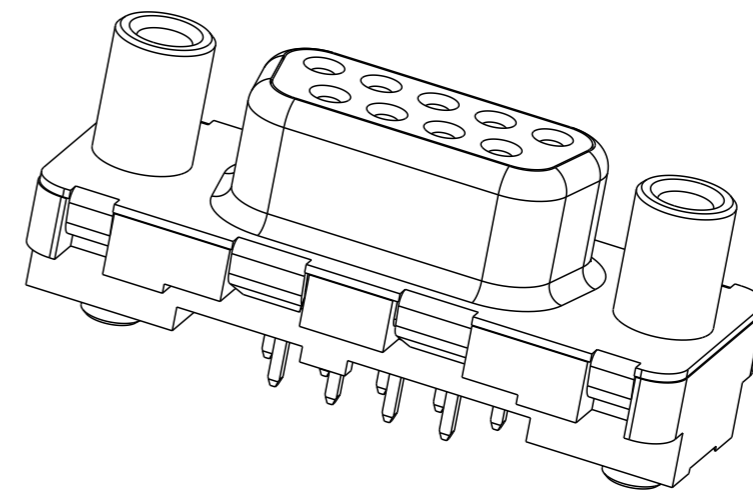
Accessories details



TYPE RX / RL



TYPE RV



Copyright FCI.



1

2

3

4

A

B

C

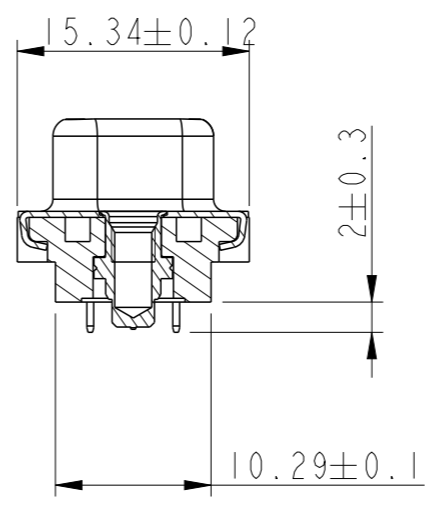
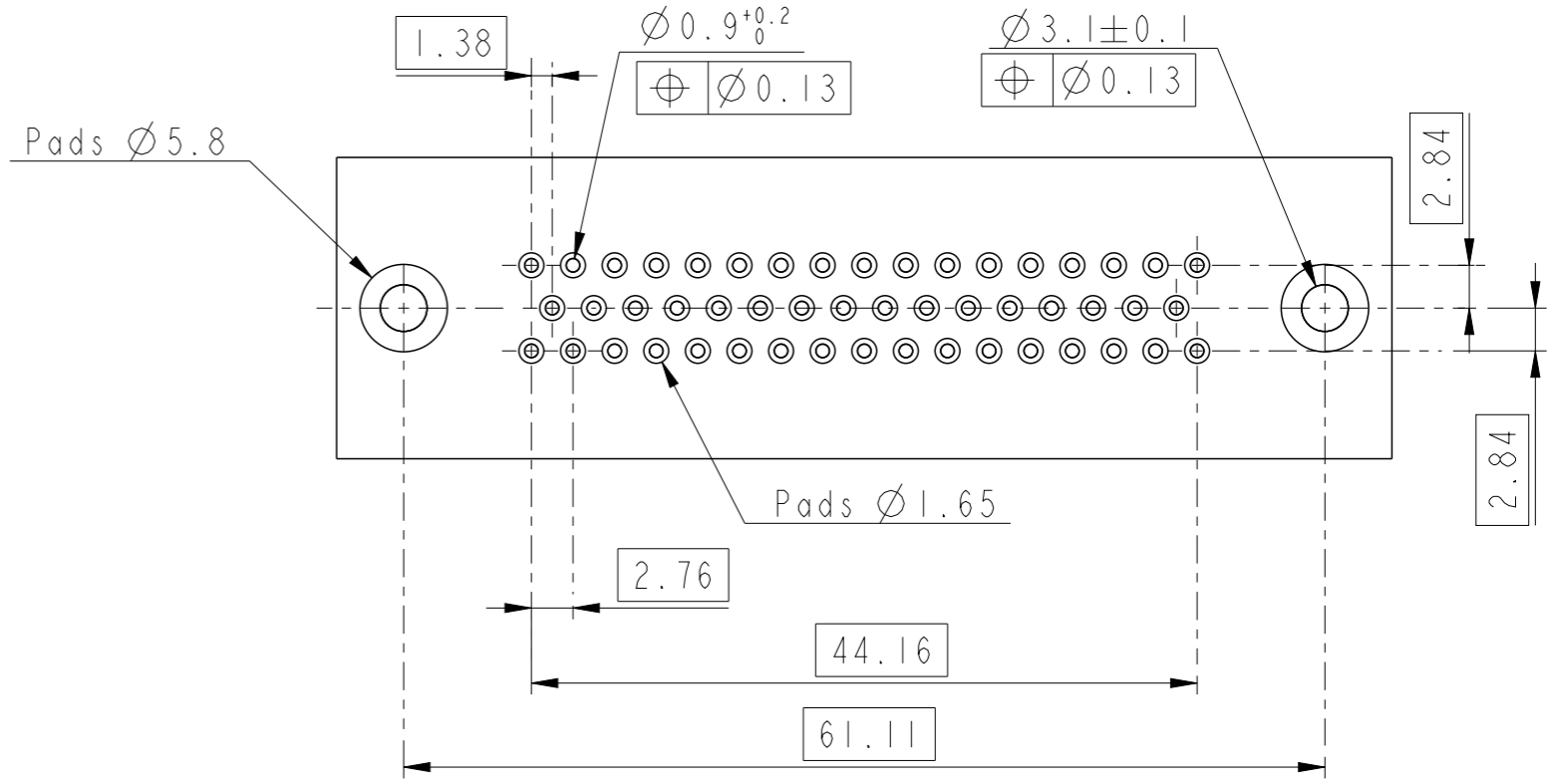
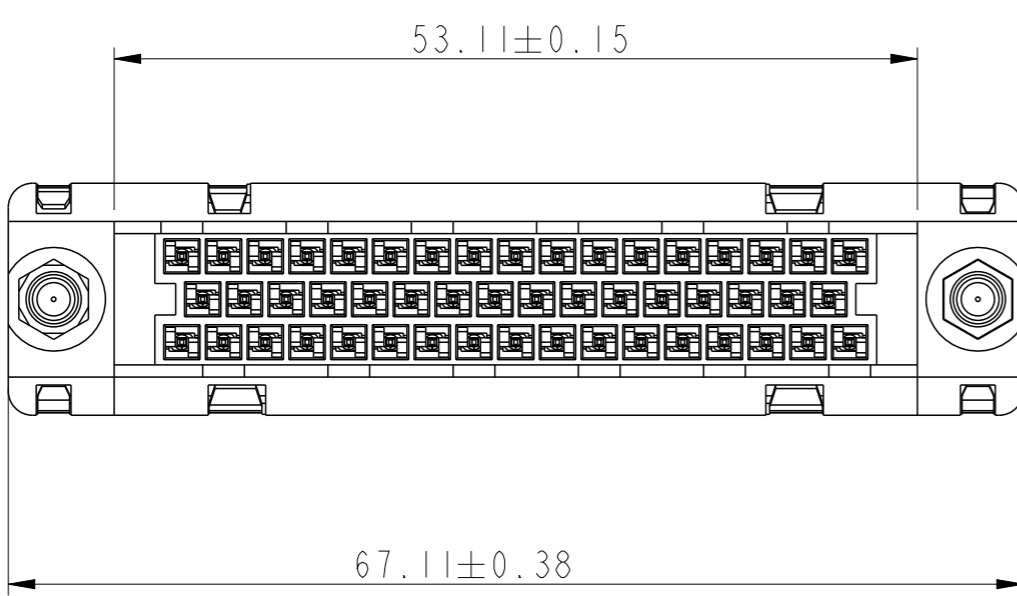
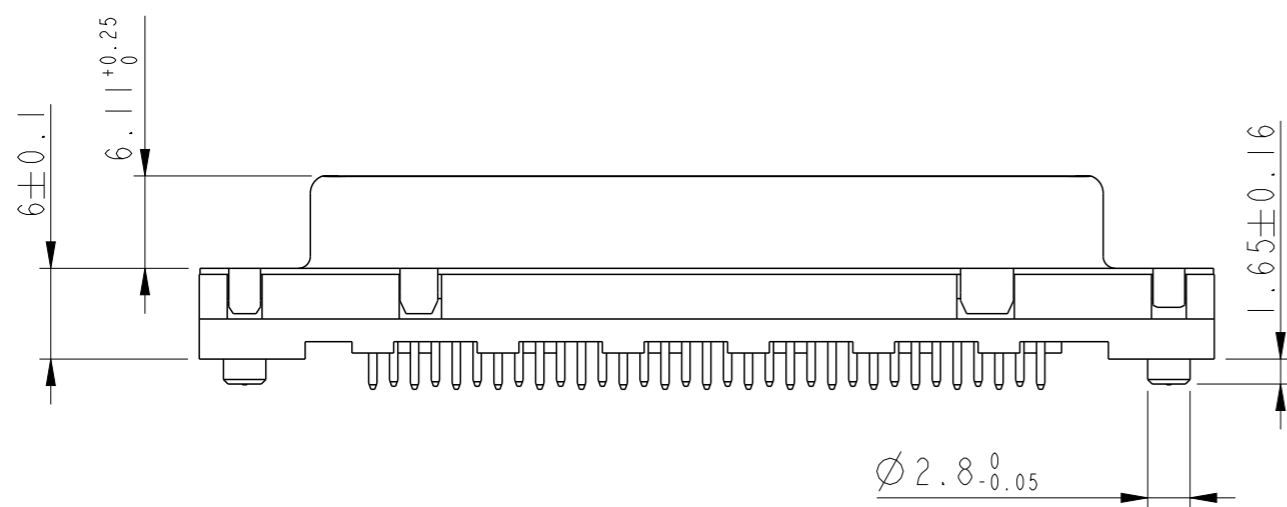
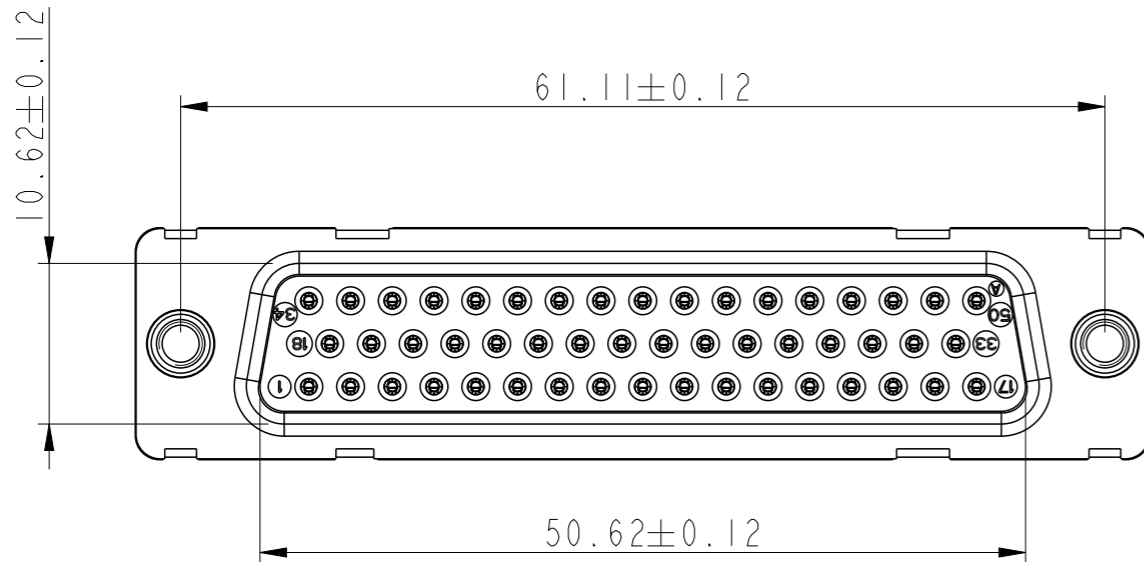
D

A

B

C

D



P/N LEAD FREE
D50S24A6xx09LF

SECTION A-A

FOR xx SEE SHEET 1

www.fciconnect.com		surface - ✓ ISO 1302	tolerance std ISO 406 ISO 1101	projection ⊕-⊖	mm ↔
TOLERANCES UNLESS OTHERWISE SPECIFIED					
Dr	P. CRON	02/02/06	ANGULAR	0.X ±0.3	size A3
Eng	H. LEGALLIC	02/02/06	LINEAR	0.XX ±0.1	Scale 1:1
Chr	NIRMAL G	2010-10-14	0° ±2°	0.XXX ±0.05	ECN 110-0197
Appr	SUDHIR V	2010-10-14	Product family	-	Spec ref -
SUB DELTA D PIP FEMALE H=2 straight for tray		catalog no	SEE TABLE	customer	sheet 3 of 3
		dwg no	C01-8646-0879	Rev.	H



Copyright FCI.

X-ON Electronics

Largest Supplier of Electrical and Electronic Components

Click to view similar products for [D-Sub Micro-D Connectors](#) category:

Click to view products by [FCT Electronics](#) manufacturer:

Other Similar products are found below :

[M243082311F](#) [M2430834F](#) [M24308/4-6F](#) [65-1920-15](#) [M83513/01-HN](#) [M83513/03-A10N](#) [M83513/03-B14C](#) [M83513/03-D09C](#) [M83513/03-D11N](#) [M83513/03-G02N](#) [M83513/03-G05N](#) [M83513/03-G08C](#) [M83513/03-G09N](#) [M83513/03-G12N](#) [M83513/03-H13N](#) [M83513/04-E15N](#) [M83513/04-G04C](#) [M83513/10-E01NP](#) [M83513/13-B01NP](#) [M83513/13-C01NN](#) [M83513/16-A01CP](#) [M83513/22-D01NP](#) [M83513/25-B01NP](#) [6R2004A30F015](#) [6R4006A28A120](#) [703006A13F060](#) [704002A03F200](#) [705001A13F120](#) [7-1532020-5](#) [748567-1-P](#) [MDB1-31SH003](#) [MDM-15PBS-L58](#) [MDM-15PCBRM7T](#) [MDM-15PH003B-A174](#) [75-068624-59S](#) [MDM-15PH034B](#) [MDM-15SH001L](#) [MDM-15SH004B](#) [MDM-21PH003K](#) [MDM-25PH003B-A174](#) [MDM-25PHW01F-A174](#) [MDM-37PH006L-A174](#) [MDM-37PH048M5-A174](#) [MDM-37SCBRP-A174](#) [MDM-51PBS-L56](#) [MDM-51PSF](#) [MDM-51SH003M7](#) [MDM-51SSM7-A174](#) [MDM-9PBSP-L58](#) [MDM-9PH003M7](#)