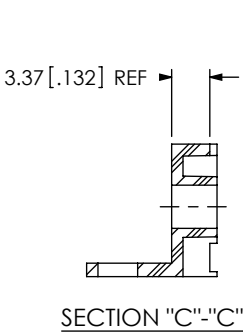
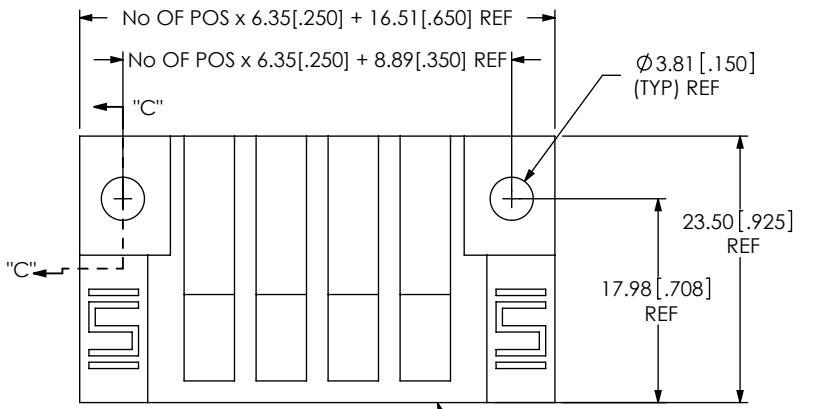


DO NOT SCALE FROM THIS PRINT

DESIGNED & DIMENSIONED IN MILLIMETERS [INCHES]

PET-XX-XX-X-RA-XX



No OF POSITIONS
 -02, -04, -06, -08
LEAD STYLE
 -01: FOR 1.57[.062] THICK PCB (USE SUB-T-1M34-01-X)
 -02: FOR 3.18[.125] THICK PCB (USE SUB-T-1M34-02-X)
OPTION *
 -SD: SCREW DOWN (SEE FIG. 1, SHT 1)
 -LC: LOCKING CLIP (USE LC-11-TM) (SEE FIG. 2, SHT 2)
RIGHT ANGLE
PLATING SPECIFICATION
 -S: SELECTIVE GOLD/MATTE TIN TAIL
 -T: MATTE TIN
 -L: LIGHT SELECTIVE GOLD/MATTE TIN TAIL
 * - BLANK ONLY FOR EXISTING CUSTOMERS

TABLE 1

STYLE	"A"	SUB-T-1M34-XX-X
-01	2.35[.093]	SUB-T-1M34-01-X
-02	3.95[.156]	SUB-T-1M34-02-X

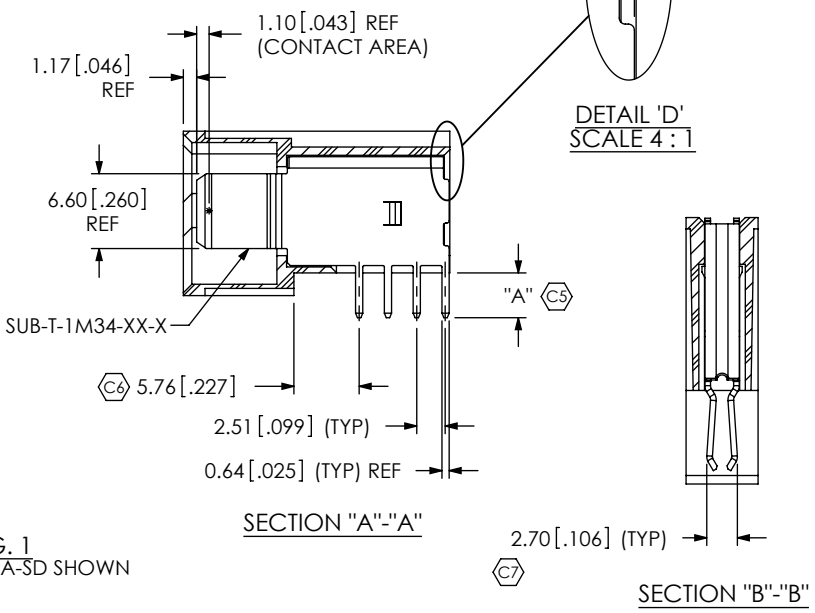
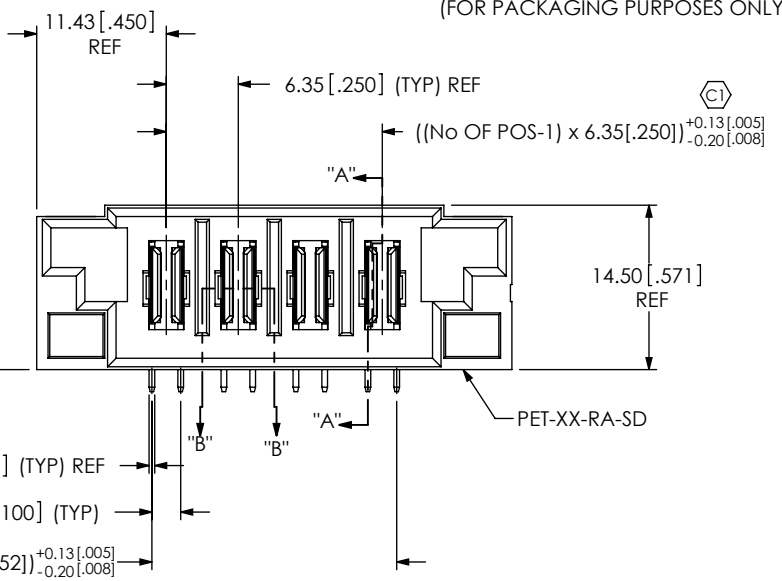
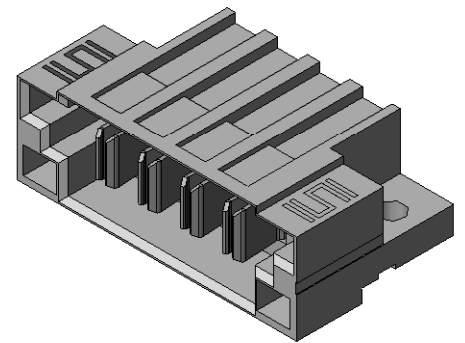


FIG. 1 PET-04-02-X-RA-SD SHOWN

TABLE 2

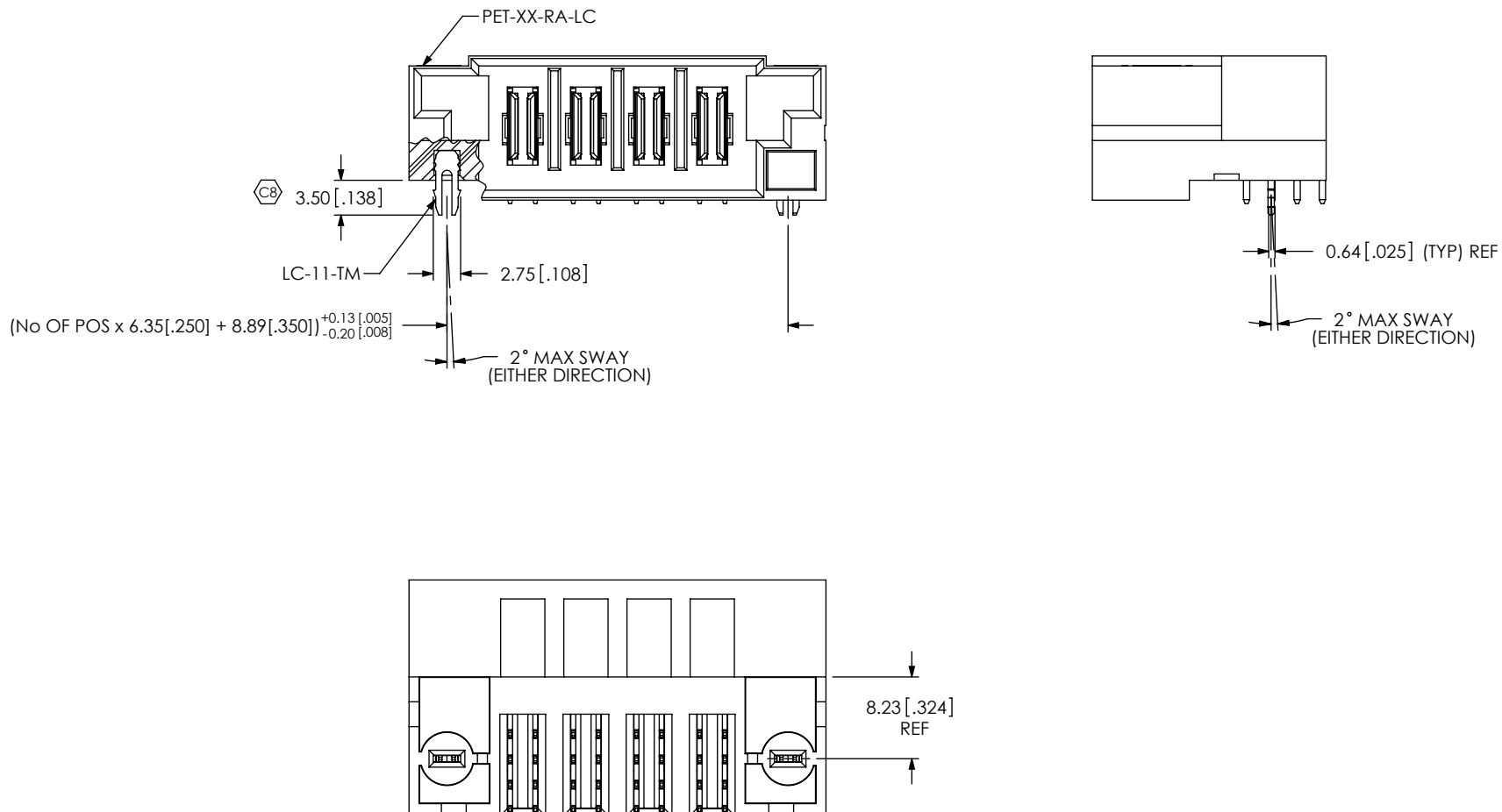
PART NUMBER	MAX
PET-02-XX-X-RA-XX	0.15[.006]
PET-04-XX-X-RA-XX	0.15[.006]
PET-06-XX-X-RA-XX	0.20[.008]
PET-08-XX-X-RA-XX	0.20[.008]



- NOTES:
- Ⓢ REPRESENTS A CRITICAL DIMENSION.
 - BURR ALLOWANCE: 0.038[.0015] MAX.
 - MINIMUM PUSHOUT FORCE: 4.45N[1 LB].
 - PARTS TO BE PACKAGED IN TRAYS.

UNLESS OTHERWISE SPECIFIED, DIMENSIONS ARE IN MILLIMETERS. TOLERANCES ARE: DECIMALS ANGLES .X: ±0.3 [0.1] .XX: ±0.13 [0.05] .XXX: ±0.051 [0.020]	PROPRIETARY NOTE THIS DOCUMENT CONTAINS INFORMATION CONFIDENTIAL AND PROPRIETARY TO SAMTEC, INC. AND SHALL NOT BE REPRODUCED OR TRANSFERRED TO OTHER DOCUMENTS OR DISCLOSED TO OTHERS OR USED FOR ANY PURPOSE OTHER THAN THAT WHICH IT WAS OBTAINED WITHOUT THE EXPRESSED WRITTEN CONSENT OF SAMTEC, INC.		
		520 PARK EAST BLVD, NEW ALBANY, IN 47150 PHONE: 812-944-6733 FAX: 812-948-5047 e-Mail: info@SAMTEC.com code: 55322	
MATERIAL: DO NOT SCALE DRAWING SHEET SCALE: 1:5:1 INSULATOR: LCP, COLOR: BLACK CONTACT: COPPER ALLOY		DESCRIPTION: RIGHT ANGLE POWER TERMINAL	
DWG. NO. PET-XX-XX-X-RA-XX		BY: CHAD F 3/28/2005 SHEET 1 OF 2	

FIG. 2
 PET-04-02-X-RA-LC SHOWN
 (SAME AS FIG. 1, UNLESS OTHERWISE STATED)



<p>PROPRIETARY NOTE</p> <p>THIS DOCUMENT CONTAINS INFORMATION CONFIDENTIAL AND PROPRIETARY TO SAMTEC, INC. AND SHALL NOT BE REPRODUCED OR TRANSFERRED TO OTHER DOCUMENTS OR DISCLOSED TO OTHERS OR USED FOR ANY PURPOSE OTHER THAN THAT WHICH IT WAS OBTAINED WITHOUT THE EXPRESSED WRITTEN CONSENT OF SAMTEC, INC.</p> <p>DO NOT SCALE DRAWING</p> <p>SHEET SCALE: 1.5:1</p>		
	<p>520 PARK EAST BLVD, NEW ALBANY, IN 47150 PHONE: 812-944-6733 FAX: 812-948-5047 e-Mail: info@SAMTEC.com code: 55322</p>	
	<p>DESCRIPTION: RIGHT ANGLE POWER TERMINAL</p>	
	<p>DWG. NO. PET-XX-XX-X-RA-XX</p>	
<p>BY: CHAD F 3/28/2005</p>		<p>SHEET 2 OF 2</p>

X-ON Electronics

Largest Supplier of Electrical and Electronic Components

Click to view similar products for [Power to the Board](#) category:

Click to view products by [Samtec](#) manufacturer:

Other Similar products are found below :

[10131318-08512GRLF](#) [6450171-4](#) [6450552-7](#) [6600323-8](#) [6643429-1](#) [6646040-2](#) [6651939-1](#) [6766604-1](#) [120959-1](#) [1393557-2](#) [1393532-2](#)
[1393532-3](#) [1393532-4](#) [1393557-1](#) [1600812-5](#) [1-6450861-2](#) [1645595-1](#) [1743490-1](#) [1744132-7](#) [1761122-1](#) [1766169-1](#) [1766250-1](#) [18362](#)
[1892109-1](#) [1-967627-6](#) [2226808-1](#) [2-6450860-5](#) [2-6450860-6](#) [2-6450870-0](#) [93003-0502](#) [953552-1](#) [1-6450161-4](#) [1-6450850-6](#) [1645526-2](#) [1-](#)
[6600130-0](#) [1743419-1](#) [1766150-1](#) [2005243-2](#) [211110-1](#) [2-6600130-2](#) [TE34-12-16P-F0](#) [51700-10201602AALF](#) [5-6450830-6](#) [5646956-4](#)
[36662-0005](#) [40585-3000](#) [4-6450830-9](#) [4-6600333-3](#) [51142-0214](#) [10125416-4050LF](#)