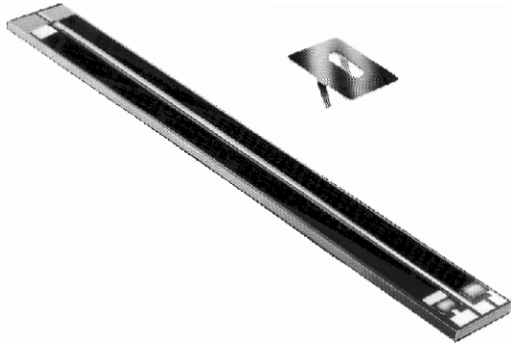


## Conductive Plastic Motion Transducer Elements (KIT), up to 1000 mm



The LMF is a reduced bulk, precision motion transducer, designed for easy integration into equipment.

### FEATURES

- Measurement range 25 mm to 1000 mm
- High accuracy  $\pm 1\%$  down to  $\pm 0.025\%$
- Good repeatability
- Simple and flexible mounting
- Essentially infinite resolution  
Made in two separate parts:
  - the sensing element
  - the wiper
 Special designs available on request
- Material categorization: For definitions of compliance please see [www.vishay.com/doc?99912](http://www.vishay.com/doc?99912)



**RoHS**  
COMPLIANT

QUICK REFERENCE DATA	
Sensor type	LINEAR, conductive plastic
Output type	Solder pads
Market appliance	Industrial
Dimensions	L x 15 mm x 1.6 mm (with L = TET + 18 mm)

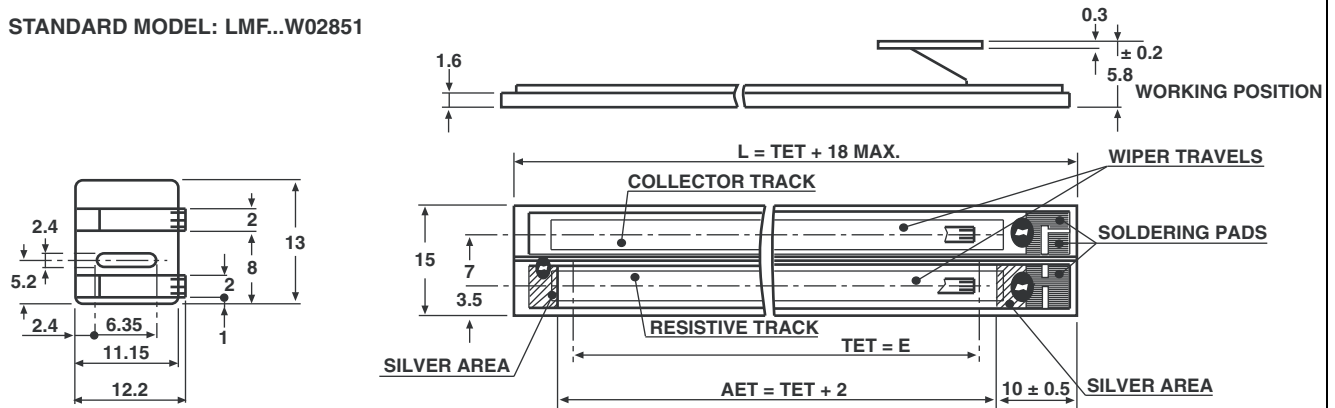
ELECTRICAL SPECIFICATIONS	
Theoretical electrical angle (TEA = E)	From 25 mm to 1000 mm in increments of 25 mm
Independent linearity (over TET)	$\leq \pm 1\%$ ; $\leq \pm 0.1\%$
On request	$\leq \pm 0.05\%$ for $E \geq 100$ mm $\leq \pm 0.025\%$ for $E \geq 200$ mm
Actual electrical travel (AET)	AET = TET + 2 mm
Ohmic value	From 400 $\Omega$ /cm to 2 k $\Omega$ /cm
Resistance tolerance at 20 °C	$\pm 20\%$
Repeatability	$\leq 0.01\%$
Maximum power rating	0.05 W/cm at 40 °C      0 W at 85 °C
Wiper current	Recommended: a few $\mu$ A - 1 mA max. (continuous)
Load resistance	Minimum $10^3 \times R_T$
Insulation resistance	$\geq 1000$ M $\Omega$ , 500 V <sub>DC</sub>
Dielectric strength	$\geq 750$ V <sub>RMS</sub> , 50 Hz

MECHANICAL SPECIFICATIONS	
Support of element	Fiberglass epoxy
On request	Plastic moulding
Wiper (non insulated)	Precious metal multifinger
On request	Insulated
Terminals	Soldering pads
On request	By wires
Fixing	Glued: Double face Isotac
On request	Screwed: Holes in the support

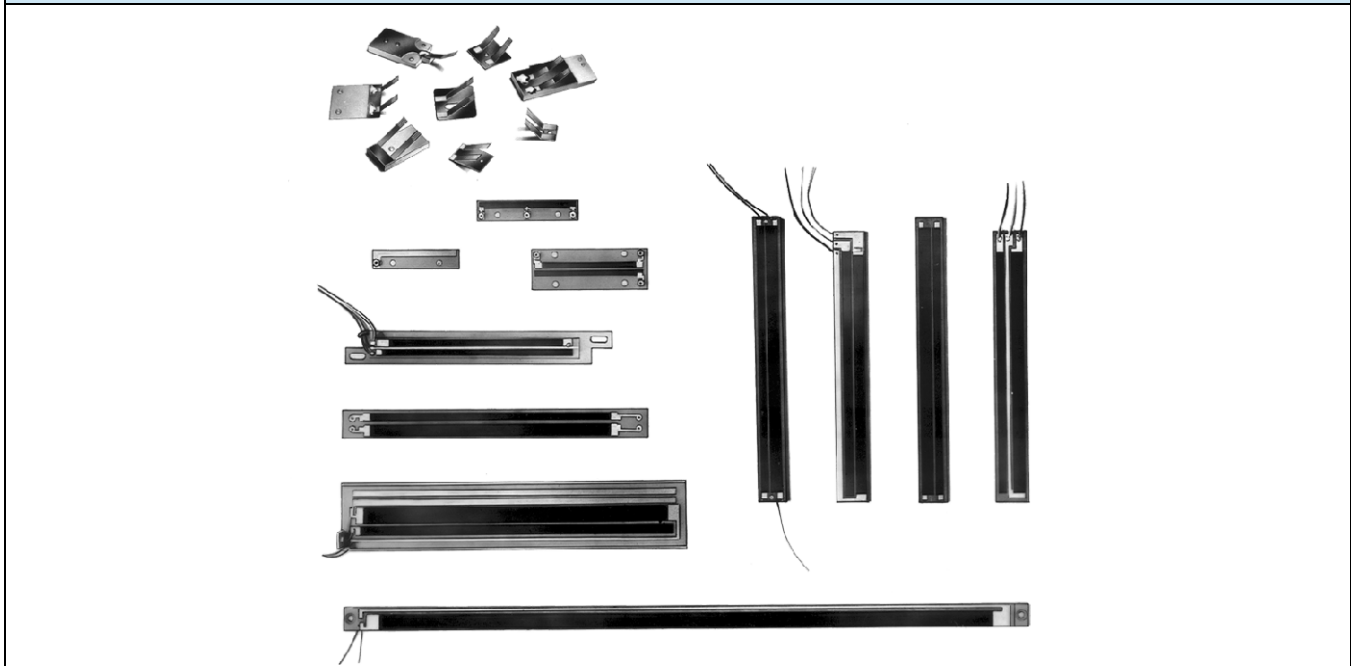
PERFORMANCE	
Operating life	25 million cycles typical/1 Hz/T° = 20 °C $\pm$ 5 °C/80 % TET
Temperature range	- 55 °C to + 125 °C

**DIMENSIONS** in millimeters, general tolerance  $\pm 0.2$  mm

STANDARD MODEL: LMF...W02851



**EXAMPLES OF SPECIAL DESIGNS**



**ORDERING INFORMATION/DESCRIPTION**

KIT SERIES	LM MODEL	F CONDUCTOR	3 THEORETICAL ELECTRICAL TRAVEL	D LINEARITY	103 OHMIC VALUE	W... MODIFICATIONS	e. LEAD FINISH
		F: Plastic S: Serigraphy	Times 25 mm	A: $\pm 1\%$ D: $\pm 0.1\%$ E: $\pm 0.05\%$ F: $\pm 0.025\%$	First 2 digits are significant numbers 3rd digit indicates number of zeros	Special feature code number	

**SAP PART NUMBERING GUIDELINES**

LMF MODEL	3 TET	D LINEARITY	103 OHMIC VALUE	W.... SPECIAL FEATURES
-----------	-------	-------------	-----------------	------------------------



## Disclaimer

ALL PRODUCT, PRODUCT SPECIFICATIONS AND DATA ARE SUBJECT TO CHANGE WITHOUT NOTICE TO IMPROVE RELIABILITY, FUNCTION OR DESIGN OR OTHERWISE.

Vishay Intertechnology, Inc., its affiliates, agents, and employees, and all persons acting on its or their behalf (collectively, "Vishay"), disclaim any and all liability for any errors, inaccuracies or incompleteness contained in any datasheet or in any other disclosure relating to any product.

Vishay makes no warranty, representation or guarantee regarding the suitability of the products for any particular purpose or the continuing production of any product. To the maximum extent permitted by applicable law, Vishay disclaims (i) any and all liability arising out of the application or use of any product, (ii) any and all liability, including without limitation special, consequential or incidental damages, and (iii) any and all implied warranties, including warranties of fitness for particular purpose, non-infringement and merchantability.

Statements regarding the suitability of products for certain types of applications are based on Vishay's knowledge of typical requirements that are often placed on Vishay products in generic applications. Such statements are not binding statements about the suitability of products for a particular application. It is the customer's responsibility to validate that a particular product with the properties described in the product specification is suitable for use in a particular application. Parameters provided in datasheets and/or specifications may vary in different applications and performance may vary over time. All operating parameters, including typical parameters, must be validated for each customer application by the customer's technical experts. Product specifications do not expand or otherwise modify Vishay's terms and conditions of purchase, including but not limited to the warranty expressed therein.

Except as expressly indicated in writing, Vishay products are not designed for use in medical, life-saving, or life-sustaining applications or for any other application in which the failure of the Vishay product could result in personal injury or death. Customers using or selling Vishay products not expressly indicated for use in such applications do so at their own risk. Please contact authorized Vishay personnel to obtain written terms and conditions regarding products designed for such applications.

No license, express or implied, by estoppel or otherwise, to any intellectual property rights is granted by this document or by any conduct of Vishay. Product names and markings noted herein may be trademarks of their respective owners.

## Material Category Policy

**Vishay Intertechnology, Inc. hereby certifies that all its products that are identified as RoHS-Compliant fulfill the definitions and restrictions defined under Directive 2011/65/EU of The European Parliament and of the Council of June 8, 2011 on the restriction of the use of certain hazardous substances in electrical and electronic equipment (EEE) - recast, unless otherwise specified as non-compliant.**

**Please note that some Vishay documentation may still make reference to RoHS Directive 2002/95/EC. We confirm that all the products identified as being compliant to Directive 2002/95/EC conform to Directive 2011/65/EU.**

**Vishay Intertechnology, Inc. hereby certifies that all its products that are identified as Halogen-Free follow Halogen-Free requirements as per JEDEC JS709A standards. Please note that some Vishay documentation may still make reference to the IEC 61249-2-21 definition. We confirm that all the products identified as being compliant to IEC 61249-2-21 conform to JEDEC JS709A standards.**

## X-ON Electronics

Largest Supplier of Electrical and Electronic Components

*Click to view similar products for [Industrial Hall Effect/Magnetic Sensors](#) category:*

*Click to view products by [Vishay](#) manufacturer:*

Other Similar products are found below :

[GT-13013](#) [GT-13040](#) [GT-14114](#) [ATS682LSHTN-T](#) [SR4P2-C7](#) [GT-13012](#) [GT-14049](#) [GT-14132](#) [GT-18030](#) [103FW12-R3](#) [A1155LLHLT-T](#)  
[SMSA2P30CG](#) [P2D-000](#) [GN 55.2-SC-15-3](#) [GN 55.2-SC-5-3](#) [MZA70175](#) [103FW41-R1](#) [KJR-D100AN-DNA-VE](#) [KJR-D100AN-DNIA-V2](#)  
[SR-10018](#) [115L 14E 502 W06017](#) [ATS128LSETN-T](#) [TLE4906LHALA1](#) [TLE49452LHALA1](#) [BU52013HFV-TR](#) [MRMS591A](#) [103SR14A-1](#)  
[MZT7-03VPS-KR0](#) [MZT7-03VPS-KW0](#) [MZT8-03VPS-KW0](#) [MZT8-28VPS-KP0](#) [A1326LLHLX-T](#) [A1326LLHLT-T](#) [A1156LLHLT-T](#)  
[ACS770LCB-100U-PFF-T](#) [ATS617LSGTN-T](#) [AH49ENTR-G1](#) [SS360PT](#) [SS311PT](#) [GN 55.2-ND-15-3](#) [GN 55.2-ND-18-3](#) [GN 55.2-ND-4-3](#)  
[GN 55.2-ND-8-3](#) [GN 55.2-SC-10-3](#) [GN 55.4-ND-10-7,5-2](#) [GN 55.4-ND-12-9,5-2,5](#) [GN 55.4-ND-26-20,3-5](#) [GN 55.4-ND-7,5-4-1,5](#) [101MG7-](#)  
[BP](#) [A3214LUA-T](#)