

DATE : \_\_\_\_\_

# SPECIFICATION

## of Humidity sensor unit, HU1030NA

Revision	Contents	Date	Originator	Approved
Rev.0	Initial Release	2010. 11	Yongnam Seo	Soo-tae Park

**GE SENSING KOREA**837-2 Hansan-ri, Cheongbuk-myeon, Pyongtaek-shi, Kyunggi-do, 451-833 Korea  
TEL : +82-31-680-0600 FAX : +82-31-683-2038



Model : HU1030NA

REVISION : 00

PAGE 1 / 3

**1. SCOPE**

This specification applies to the Humidity sensor unit HU30series.

**2. PRODUCT NAME AND PART NAME**

Part Name : Humidity sensor unit

Type Name : HU1030NA

**3. MAXIMUM RANGE**

Items	Type name	HU1030NA
Maximum rated voltage		DC 7V
Storage temperature range		0 ~ 50℃
Storage humidity range		20 ~ 90 %RH (Without condensation)

**4. SPECIFICATION**

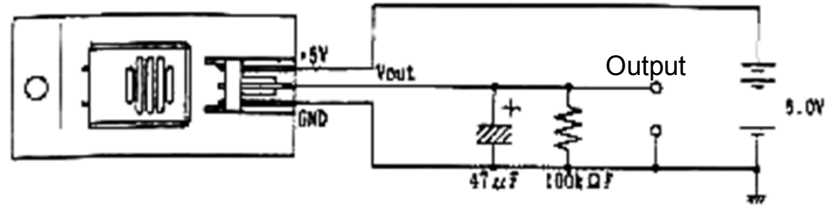
Items	Type name	HU1030NA
Humidity sensor type		Polymer Humidity Sensor HS-30P
Maximum current		≤ 2mA at 5.0V
Output voltage range (DC)		1.0 ~ 3.0V
Output impedance		~ 2.5 kΩ
Accuracy (Humidity calibration)		≤ ± 5%RH at 25℃, 25 ~ 90%RH, at 5.0V ≤ ± 10%RH at 5℃~45℃, 20 ~ 100%RH, at 5.0V ※ Output Voltage(V) = 0.02 × H+1 (H: Relative Humidity %RH)
Operating temperature range		0 ~ 50℃
Operating humidity range		20 ~ 90%RH (Without condensation)
Response time (90%)		≤3 minute

**5. NORMAL OPERATING CONDITION**

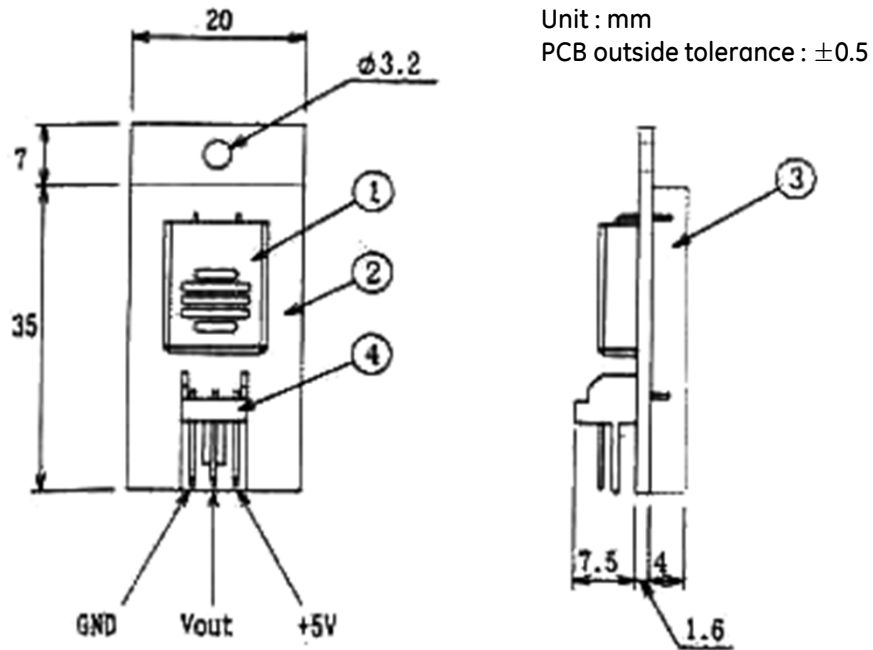
Items	Type name	HU1030NA
Rated voltage		DC5±0.2V
Electrical capacitor		47μF/6.3V Electrical Capacitor (outside attachment)
Discharge resistor		100kΩF/0.25W Metal coated resistor (outside attachment)

Model : HU1030NA	REVISION : 00	PAGE 2 / 3
------------------	---------------	------------

6. CIRCUITRY FOR INSPECTION



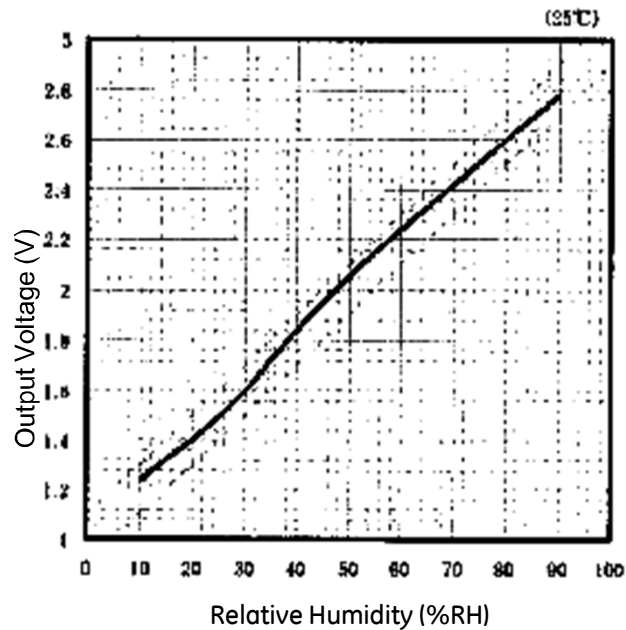
7. APPEARANCE



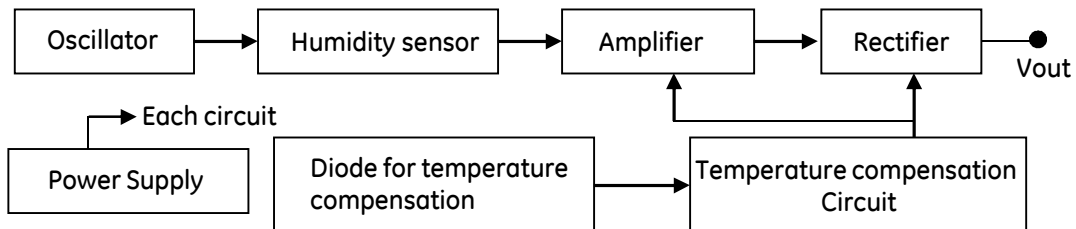
No.	Name	HU1030NA
①	Humidity sensor	HS30P
②	PCB	Material : CEM-3, t=1.6mm
③	Component mounting Area	Mounting Area for each component
④	Connector	AMP 171826-3 2.5mm pitch, 3P

<b>Model : HU1030NA</b>	<b>REVISION : 00</b>	<b>PAGE 3 / 3</b>
-------------------------	----------------------	-------------------

**8. OUTPUT CHARACTERISTICS**



**9. BLOCK DIAGRAM**



**10. NOTES**

- 1) Electrical capacitor and discharge resistor should be connected
- 2) Do not use this product below 0°C
- 3) Do not use this product in organic solvent, corrosive gas and other gases environment.
- 4) IF this product is not used at standard atmosphere pressure, Accuracy cannot be guaranteed.

## X-ON Electronics

Largest Supplier of Electrical and Electronic Components

*Click to view similar products for [Board Mount Humidity Sensors](#) category:*

*Click to view products by [GE Sensing](#) manufacturer:*

Other Similar products are found below :

[HSHCAA114A](#) [SI7020-A10-IM](#) [SI7020-A20-IMR](#) [SI7023-A20-IM1R](#) [SI7021-A20-YM0](#) [SI7021-A20-IMR](#) [SI7013-A10-IM1](#) [SI7021-A20-IM1R](#) [SI7007-A20-IMR](#) [SI7021-A10-IM1](#) [LCSC-20S-B](#) [LCSC-30S-B](#) [LCSC-30S-MD](#) [LCSC-30S-ML](#) [LCSC-30S-HX](#) [LCSC-SHT30S-JCB](#) [LCSC-30S-HE](#) [LCSC-30S-HERS](#) [LCSC-30S-B-550-XDG](#) [TH30S-B](#) [CFSTM-UB3-U](#) [MGS-2-01](#) [HPP845E031R4](#) [HPP845E131R5](#) [MGS-3-01](#) [HTU21D](#) [CC2D35S-SIP](#) [CC2D33S-SIP](#) [CC2D33-SIP](#) [CC2D23S-SIP](#) [CC2D23-SIP](#) [251-10509](#) [HDC1050DMBR](#) [HIH6131-021-001](#) [HIH-4000-004](#) [HIH-4000-002](#) [HIH7120-021-001](#) [HIH6130-021-001](#) [SI2144-A20-GMR](#) [SI5332DC09118-GM1](#) [HIH-4031-001S](#) [SHT35-DIS-F2.5kS](#) [HIH-4020-003](#) [HIH-4031-003S](#) [SHT30-DIS-F2.5kS](#) [HDC2010YPAR](#) [HDC2010YPAT](#) [HIH-4030-003S](#) [HIH-4030-001S](#) [SI7006-A20-IMR](#)