

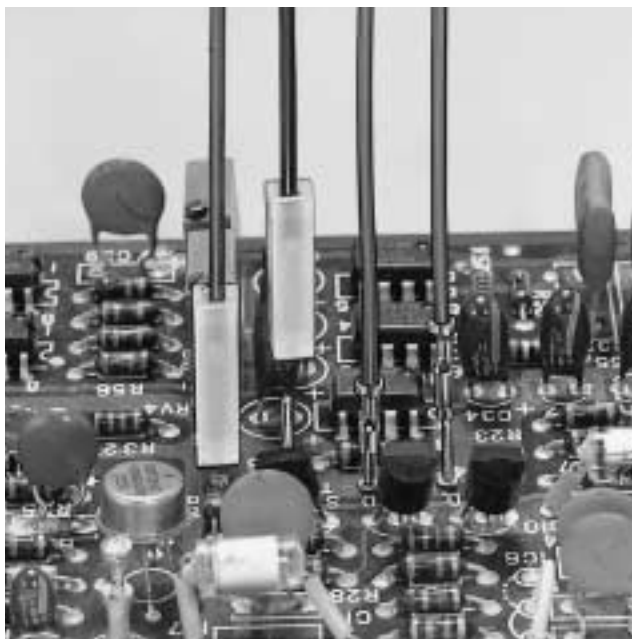
JST

Crimp

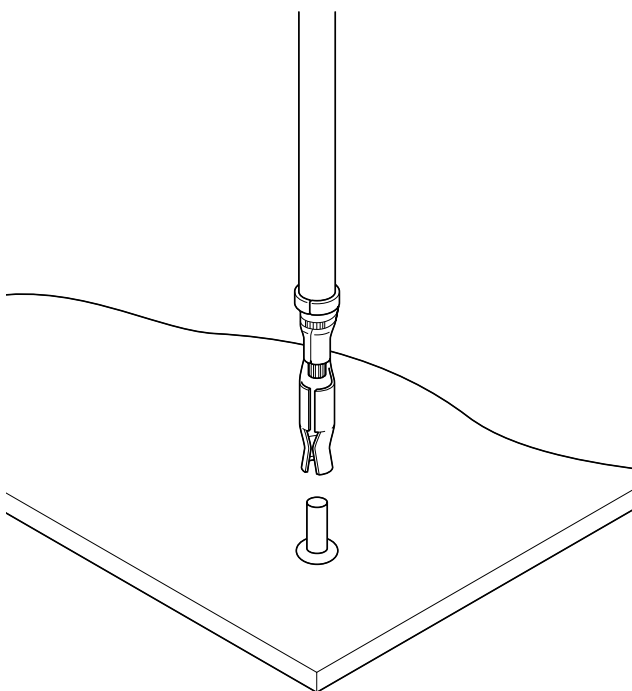
Single-circuit

SMF CONNECTOR

Disconnectable Crimp style connector for 1.0mm(.039") and 1.3mm(.051") diameter pins



This small single-circuit connector connects to 1.0mm (.039") and 1.3mm (.051") diameter pins and requires only minimal space for connection of wires to high-density printed circuit boards. The SMF connector has a funnel shaped lead-in to ease insertion and to ensure a balance with its high retaining force.



Specifications

- Current rating: 5A AC, DC
- Temperature range: -25°C to +85°C
(including temperature rise in applying electrical current)
- Contact resistance: Initial value/10m max.
After environmental testing/15m max.
- Insulation resistance: 1,000M min.
- Withstanding voltage: 500V AC/minute
- Applicable wire: AWG #26 to #20
- Applicable PC board thickness: 1.6mm(.063")
- * Contact JST for details.

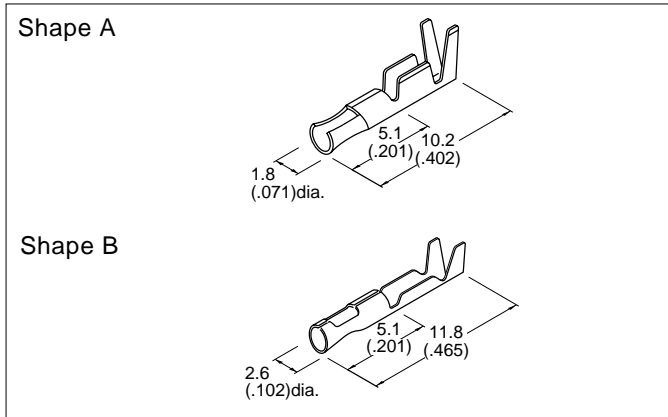
Standards

 Recognized E60389

 Certified LR20812

SMF CONNECTOR

Contact



Model No.	Applicable wire			Shape	Applicable pin	Q'ty / reel
	mm ²	AWG #	Insulation O.D.mm(in.)			
SMF-01T-1.0	0.13 to 0.5	26 to 20	1.3 to 2.7 (.51 to .106)	A	RT-01T-1.0B	5,000
SMF-01T-1.3				B	RT-01T-1.3B	4,000

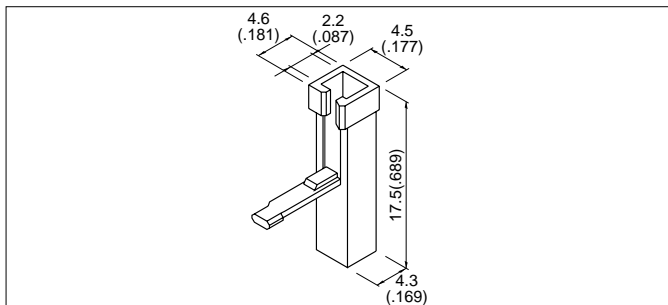
Material and Finish

Brass, tin-plated

Note:

Contact JST if you require shielded wires or other special wires, or if two leads must be crimped in one contact.

Housing

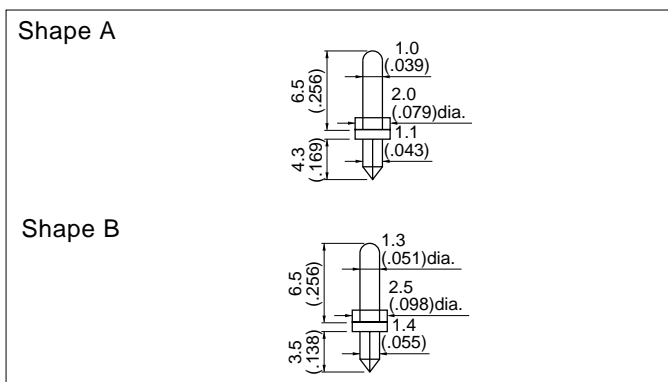


Model No.	Circuit	Insulation O.D.mm(in.)	Applicable contact	Q'ty / bag
1P-SMF	1	1.3 to 1.7(.051 to .067)	SMF-01T-1.0	1,000

Material

Nylon 66, UL94V-2, natural (white)

Pin



Model No.	Shape	Applicable PC board		Q'ty / box
		Thickness mm(in.)	Hole diameter mm(in.)	
RT-01T-1.0B	A	1.6(.063)	1.0 ± 0.05(.039 ± .002)	20,000
RT-01T-1.3B	B	1.6(.063)	1.25 ± 0.05(.049 ± .002)	15,000

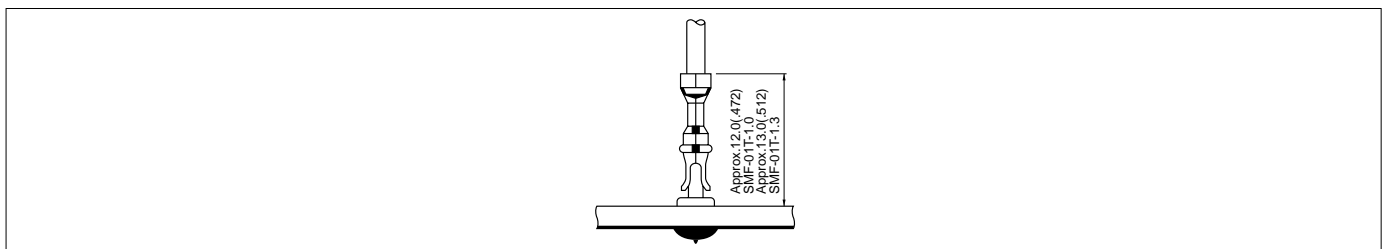
Material and Finish

Brass, copper-undercoated.

Note:

Hole dimensions may differ according to the kind of PC board and piercing method.

Assembly layout



Applicator for the semi-automatic press AP-K2N

Contact	Crimp applicator MKS-L		Compact crimp applicator MKS-LS		Strip-crimp applicator MKS-SC
	with safety cover	without safety cover	with safety cover	without safety cover	with safety cover
SMF-01T-1.0	APLMK SMF01-10	APLNC SMF01-10	-	-	-
SMF-01T-1.3	APLMK SMF01-13	APLNC SMF01-13	-	-	-

X-ON Electronics

Largest Supplier of Electrical and Electronic Components

Click to view similar products for [FFC & FPC Connectors](#) category:

Click to view products by [JST manufacturer](#):

Other Similar products are found below :

[HFW11R-1STE1H1LF](#) [FH29B-100S-0.2SHW\(99\)](#) [FA5S008HP1](#) [FH29B-120S-0.2SHW\(99\)](#) [FH29B-80S-0.2SHW\(99\)](#) [FHS-16](#) [FPH-2022G](#)
[52610-1075](#) [52610-1275](#) [52610-1934](#) [XF3M\(1\)-1415-1B-R100](#) [501864-3091-TR225](#) [0525594033](#) [086210010340800](#) [086222026001800](#)
[52271-2869-CUT-TAPE](#) [62674-201121DLF](#) [62684-36210E9ALF](#) [52610-1675](#) [52746-1671-TR250](#) [10051922-2810EHLF](#) [6-520415-9](#)
[BD021-09A-A1-0350-0200-0550-LD](#) [SFV6R-1STE9HLF](#) [XF3M-2915-1B-R100](#) [1658549-1](#) [62674-221121ALF](#) [46214008010800](#)
[046298003000883](#) [151660622](#) [842-816-2630-035](#) [AYF530665TA](#) [AYF351525](#) [046296011930846+](#) [AYF352325A](#) [046254020000800+](#)
[FH19C-13S-0.5SH\(99\)](#) [FH39J-51S-0.3SHW\(99\)](#) [AYF355125A](#) [AYF530365TA](#) [FH29B-44S-0.2SHW\(99\)](#) [SFW5R-2STAE9LF](#) [AYF351125A](#)
[AYF350725A](#) [62684-502100AHLF](#) [FH39-61S-0.3SHW\(99\)](#) [AYF414035A](#) [10064555-172520HLF](#) [AYF212335A](#) [504754-2500](#)