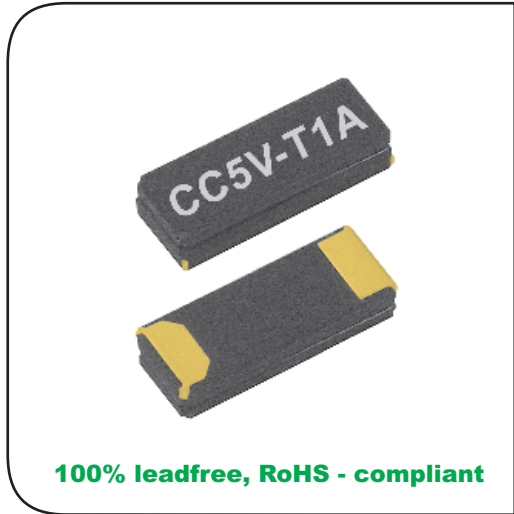
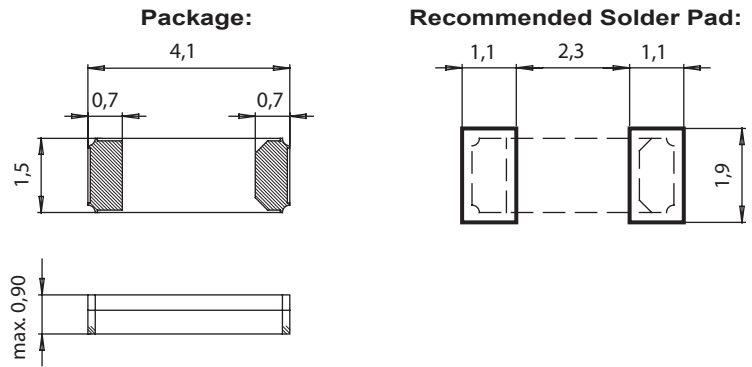


# CC5V-T1A

## Tuning Fork Crystal 32.768 kHz



### DIMENSIONS



All dimensions in mm typical

**Miniature SMT ceramic package**  
**Package height 0.90 mm**  
**SMD-package in Tape and Reel**  
**Ind. and Ext. temperature ranges**  
**High stability**  
**Low aging**  
**Low power consumption**  
**High shock and vibration resistance**

### DESCRIPTION:

This SMD ceramic package has been specially designed for miniature industrial, telecom and medical applications.

The crystals are supplied in special trays (200 crystals per tray).

For pick-and-place equipment, the parts are available in 12 mm tape:

- 7" (178 mm) reel with 1'000 crystals
- 7" (178 mm) reel with 3'000 crystals
- 13" (330 mm) reel with 14'000 crystals

### ELECTRICAL CHARACTERISTICS AT 25°C:

| Nominal Frequency           | <sup>1)</sup> F <sub>L</sub> | 32.768   | kHz |
|-----------------------------|------------------------------|--|-----|
| Load capacitance            | <sup>2)</sup> C <sub>L</sub> | 7.0 / 9.0 / 12.5   | pF  |
| Frequency tolerance         | <sup>3)</sup> ΔF/F           | +/-20  | ppm |
|                             |                              | +/-100   | ppm |
| Series resistance typ./max. | R <sub>S</sub>               | 50 / 70  | kΩ  |
| Motional capacitance typ.   | C <sub>1</sub>               | 2.8  | fF  |
| Static capacitance typ.     | C <sub>0</sub>               | 1.2  | pF  |
| Drive level max.            | P                            | 1.0  | μW  |
| Insulation resistance min.  | R <sub>i</sub>               | 500  | MΩ  |
| Aging first year max.       | ΔF/F                         | +/-3   | ppm |
| Turnover temperature        | T <sub>0</sub>               | 25 +/-5  | °C  |
| Frequency vs. temperature   | ΔF/F <sub>0</sub>            | -0.035 ppm/°C <sup>2</sup> (T - T <sub>0</sub> ) <sup>2</sup> +/-10% | ppm |

1) Other frequencies on request.

2) Other load capacitances on request.

3) Tighter and wider frequency tolerances on request.

**STANDARD FREQUENCIES:**

|                              |
|------------------------------|
| <b>Frequency<br/>kHz</b>     |
| 32.768                       |
| Other frequencies on request |

**ENVIRONMENTAL  
CHARACTERISTICS:**

|                                |      | <b>Conditions</b>      | <b>Max. Dev.</b> |
|--------------------------------|------|------------------------|------------------|
| Storage temp. range            |      | -55 to +125°C          |                  |
| TA Operating temperature range |      | -40 to +85°C           |                  |
| TB Extended oper. temp. range  |      | -40 to +125°C          |                  |
| Shock resistance               | ΔF/F | 5000 g, 0.3 ms, ½ sine | +/-5 ppm         |
| Vibration resistance           | ΔF/F | 20 g / 10–2000 Hz      | +/-5 ppm         |

**TERMINATIONS AND  
PROCESSING:**

| <b>Type</b> | <b>Termination</b>                 | <b>Processing</b>                     |
|-------------|------------------------------------|---------------------------------------|
| CC5V-T1A    | For SMD mounting<br>Au plated pads | Reflow soldering<br>260°C / 20 s max. |

**PRODUCT DESCRIPTION AND  
ORDERING INFORMATION:**

|   |                                       |               |                 |           |           |
|---|---------------------------------------|---------------|-----------------|-----------|-----------|
| <b>CC5V-T1A</b>   | <b>32.768kHz</b>                      | <b>12.5pF</b> | <b>+/-20ppm</b> | <b>TA</b> | <b>QC</b> |
| <u>Frequency F<sub>L</sub></u>  | _____                                 |               |                 |           |           |
| <u>C<sub>L</sub> Load Capacitance</u>                                       | _____                                 |               |                 |           |           |
| 7.0 pF  |                                       |               |                 |           |           |
| 9.0 pF  |                                       |               |                 |           |           |
| <b>12.5 pF</b>  |                                       |               |                 |           |           |
| <u>Frequency tolerance</u>  | _____                                 |               |                 |           |           |
| +/- 20 ppm  |                                       |               |                 |           |           |
| +/- 100 ppm   |                                       |               |                 |           |           |
|   | <u>Temperature Range</u>              |               |                 |           | _____     |
|   | TA = -40 to 85°C (Standard)           |               |                 |           |           |
|   | TB = -40 to +125°C                    |               |                 |           |           |
| <b>Optional:</b><br>if not defined,<br>,Standard' will apply                | <u>Qualification</u>                  |               |                 |           | _____     |
|   | QC = Commercial (Standard)            |               |                 |           |           |
|   | QM = Medical                          |               |                 |           |           |
| A unique part number will be generated for each product specification, i.e: |                                       |               |                 |           |           |
| 20xxxx-MG01   | 1'000 pcs (in 12mm tape on 7" reel)   |               |                 |           |           |
| 20xxxx-MG03   | 3'000 pcs (in 12mm tape on 7" reel)   |               |                 |           |           |
| 20xxxx-PG14   | 14'000 pcs (in 12mm tape on 13" reel) |               |                 |           |           |
| Please contact us.  |                                       |               |                 |           |           |

All specifications subject to change without notice.



Micro Crystal AG  
Mühlestrasse 14  
CH-2540 Grenchen  
Switzerland

Tel. +41 32 655 82 82  
Fax +41 32 655 82 83  
sales@microcrystal.com  
www.microcrystal.com

## X-ON Electronics

Largest Supplier of Electrical and Electronic Components

*Click to view similar products for [micro crystal manufacturer](#):*

Other Similar products are found below :

[RV-8523-C3-EVALUATION-BOARD](#) [RV-3028-C7 ON BOARD 32.768kHz TA QC](#) [RV-3049-C2-EVALUATION-BOARD-OPTION-B](#) [RV-3029-C2-EVALUATION-BOARD-OPTION-B](#) [RV-8803-C7-EVALUATION-BOARD](#) [OV-7604-C7-EVALUATION-BOARD](#) [RV-8263-C7-EVALUATION-BOARD](#) [CM7V-T1A-32.768kHz-9pF-20PPM-TC-QC](#) [RV-2251-C3-EVALUATION-BOARD](#) [RV-3029-C3-32.768k-OPTION-B-TB-QA](#) [RV-3029-C3-TB-QA-OPT.B](#) [CC4V-T1A-32.768kHz-9pF-20PPM-TA-QC](#) [RV-2123-C2-TA-QC-020](#) [CC4V-T1A 32.768KHZ +-20PPM 9PF](#) [MS1V-T1K-32.768kHz-7pF-20PPM-TA-QC-Au](#) [CC7V-T1A-32.768k-12.5pF-20PPM-TA-QA](#) [CC4V-T1A 32.768KHZ 12.5PF +-20PPM](#) [CM7V-T1A-32.768k-6pF-20PPM-TB-QA](#) [RV-3029-C2-TB-QA-OPT.A](#) [OM-0100-C8-100.00kHz-20PPM-TA-QC](#) [CM7V-T1A-32.768k-9pF-20PPM-TA-QA](#) [RV-8803-C7-32.768k-3PPM-TA-QA](#) [CM8V-T1A-32.768kHz-7pF-20PPM-TB-QC](#) [RV-3049-C3-TB-QA-OPT.A](#) [CC5V-T1A 32.768KHZ +-20PPM 9PF](#) [RV-8564-C3-TA-QC-020](#) [MS1V-T1K 32.768KHZ +-20PPM 10PF](#) [CM7V-T1A-32.768kHz-12.5pF-100PPM-TC-QC](#) [RV-3029-C3-32.768k-OPTION-A-TB-QA](#) [CC7V-T1A-32.768k-9pF-20PPM-TC-QA](#) [CM7V-T1A-32.768k-9pF-20PPM-TC-QA](#) [CC7V-T1A-32.768kHz-7pF-20PPM-TB-QC](#) [CM7V-T1A-100.000kHz-9pF-100PPM-TA-QC](#) [RV-4162-C7-TA-QC-020](#) [CC7V-T1A-32.768k-9pF-20PPM-TA-QA](#) [RV-3029-C2-32.768k-OPTION-A-TB-QA](#) [RV-3049-C3-32.768kHz-OPTION-B-TA-QC](#) [RV-8564-C2-32.768kHz-20PPM-TA-QC](#) [CC7V-T1A-32.768kHz-7pF-10PPM-TA-QC](#) [CM7V-T1A-32.768k-9pF-20PPM-TB-QA](#) [OM-7605-C8-20PPM-TA-QA](#) [CC7V-T1A-32.768k-12.5pF-20PPM-TB-QA](#) [CC7V-T1A-32.768kHz-12.5pF-10PPM-TA-QC](#) [OV-7604-C7](#) [RV-3149-C3 32.768kHz OPTION B TA QC](#) [RV-3049-C3-32.768k-OPTION-B-TB-QA](#) [CC4V-T1A-32.768kHz-7pF-20PPM-TA-QC](#) [CM9V-T1A-32.768kHz-7pF-100PPM-TA-QC](#) [CM7V-T1A-32.768k-7pF-100PPM-TB-QA](#) [CM7V-T1A-0.3-32.768kHz-9pF-20PPM-TA-QC](#)