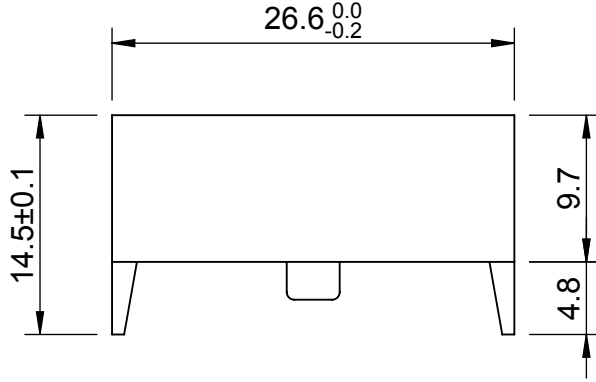
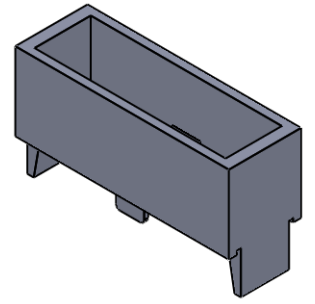
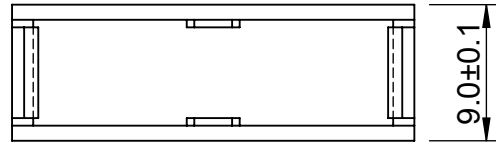


REV	DESCRIPTION	BY	DATE	CHANGE NO.
A	REDRAWN IN SOLIDWORKS; FIRST ISSUE	JVM	21/04/2016	---



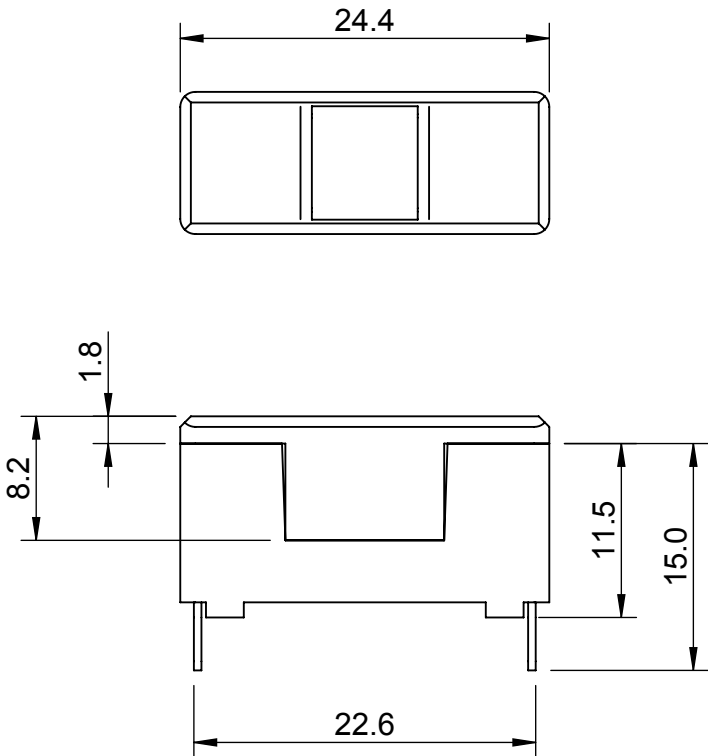
NOTE:  
 MATERIAL : ARCOPLEX KOSTIL AF1200  
 COLOR: TRANSPARENT.  
 FOR USE WITH : HTC-10M  
                   HTC-15M  
                   HTC-15MS



MODEL VERSION: 00  MODEL SOURCE FILE: TS-20-10-HTC150M	UNLESS OTHERWISE SPECIFIED, ALL DIMENSIONS ARE IN MILLIMETERS.  TOLERANCES UNLESS OTHERWISE SPECIFIED: GENERAL ± 0.4mm ANGULAR ± 1°	TITLE <b>FUSE BLOCK COVER HTC-150M</b>				 <i>Powering Business Worldwide</i>	
	UNCONTROLLED COPY	DRAWN BY: <b>JVM</b>	DATE: <b>21/04/2016</b>	SCALE: <b>NTS</b>	ANGLE: <b>THIRD</b>		
	THIS DRAWING IS CONFIDENTIAL AND THE COPYRIGHT OF EATON AND MUST NOT BE COPIED OR PASSED ON TO A THIRD PARTY WITHOUT WRITTEN CONSENT	MATERIAL:  <b>SEE NOTE</b>	FINISH:  <b>NONE</b>		EATON Burton-on-the-Wolds, Leics, LE12 5TH Tel +44 1509 882 600		
DWG NO: <b>TS-20-10-HTC150M</b>					REV: <b>A</b>	SHEET: <b>1 OF 1</b>	

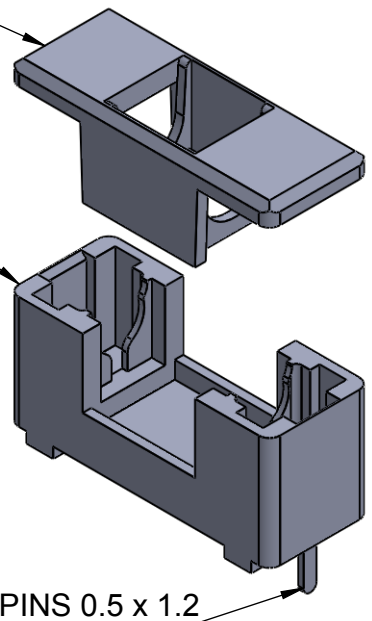
REV	DESCRIPTION	BY	DATE	CHANGE NO.
A	REDRAWN IN SOLIDWORKS FIRST ISSUE	JVM	21/04/2016	---

FOR INFORMATION ONLY.  
FOR DETAILED DIMENSIONS SEE  
INDIVIDUAL INFORMATION SHEETS.

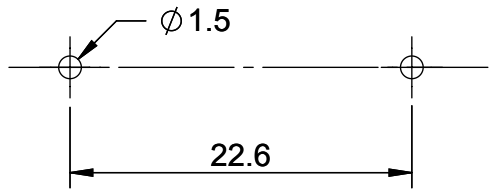


FUSE CARRIER  
HTC-160M

FUSE HOLDER  
HTC-78M




PIN FOOTPRINT



HTC-100M

PINS 0.5 x 1.2

MODEL VERSION: 00 TS-20-10-HTC-100M	<small>UNLESS OTHERWISE SPECIFIED, ALL DIMENSIONS ARE IN MILLIMETERS.</small>		TITLE <b>FUSEHOLDER / FUSE CARRIER SET FOR 20x5 FUSES.</b>				 <i>Powering Business Worldwide</i>	
	TOLERANCES UNLESS OTHERWISE SPECIFIED: GENERAL ± 0.4mm ANGULAR ± 1°		DRAWN BY: <b>JVM</b>	DATE: <b>21/04/2016</b>	SCALE: <b>NTS</b>	ANGLE: <b>THIRD</b>		
	UNCONTROLLED COPY		MATERIAL: <b>VARIOUS</b>		FINISH: <b>NONE</b>		EATON Burton-on-the-Wolds, Leics, LE12 5TH Tel +44 1509 882 600	
	THIS DRAWING IS CONFIDENTIAL AND THE COPYRIGHT OF EATON AND MUST NOT BE COPIED OR PASSED ON TO A THIRD PARTY WITHOUT WRITTEN CONSENT		DWG NO: <b>TS-20-10-HTC-100M</b>		REV: <b>A</b>	SHEET: <b>1 OF 1</b>		

## X-ON Electronics

Largest Supplier of Electrical and Electronic Components

*Click to view similar products for [eaton](#) manufacturer:*

Other Similar products are found below :

[BK1-S506-500-R](#) [BK1-S506-6-3-R](#) [BK1-S506-2-R](#) [BK-MDL-3-R](#) [MPI4040R4-1R5-R](#) [89096-015](#) [8946K153](#) [8961K155](#) [M22-DL-W-X0](#)  
[M22-L-R/R](#) [M22S-ST-GB12](#) [630NHG3B](#) [63ET](#) [6422](#) [6580](#) [CTX20-16-52LP-R](#) [CWL530FI](#) [CXM/CO/GP/R/BB](#) [6HD36](#) [6NZ01](#) [714125](#)  
[MBO-2](#) [ESR5-NO-41-24VAC-DC](#) [7314K36](#) [F02A-1-1/2A](#) [F02A-1-1/2AS](#) [F02A-1AS](#) [F02A-2AS](#) [F02A-3/4A](#) [F03A250V12A](#) [MCR-4](#)  
[MDA-2-8/10-R](#) [MDA-30A](#) [MDA-V-1/16](#) [F60C500V10AS](#) [F60C500V15AS](#) [7563K84](#) [MDQ-3/16](#) [MDQ-7/10](#) [MDV-1-1/2](#) [MDV-3/8](#) [MDV-](#)  
[4](#) [MDV-6/10](#) [FAZ-C2](#) [MIC-2](#) [MIC-30](#) [80910030](#) [FHL-18-W2-1](#) [8138K20W7V52](#) [8175K12L121C50](#)