



WOLF ATEX LED HEADTORCHES

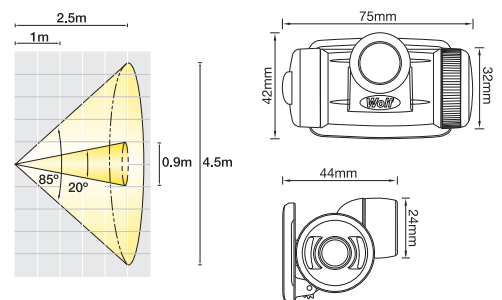


- ATEX Directive compliant
- IECEx Scheme certified
- Explosive gas, vapour and mist certified
- Models for use in Zone 1 and Zone 0 gas atmospheres
- T3/T4 temperature class
- High power LED light source
- Lightweight, ergonomic design
- Single handed switching
- Hands free operation
- IP66 water and dust tight
- Adjustable, removable headband
- Supplied with helmet clips for hard hat use
- Tilt adjustment for light direction
- HT-650 Headtorch supplied with inert silicone rubber strap



Wolf ATEX LED Headtorch HT-400

High Power LED spot beam (approx 20°) Peak luminous intensity at 1m **381 lux**, at 2.5m **52 lux**
Extra wide angle fringe beam (approx 85°) Peak luminous intensity at 1m **25 lux**, at 2.5m **6 lux**



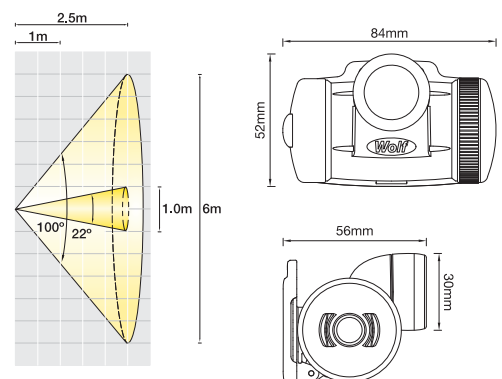
HT-400



HT-650

Wolf ATEX LED Headtorch HT-650

High Power LED spot beam (approx 22°) Peak luminous intensity at 1m **493 lux**, at 2.5m **67 lux**
Extra wide angle fringe beam (approx 100°) Peak luminous intensity at 1m **32 lux**, at 2.5m **8 lux**



The Wolf ATEX LED Headtorch range offers the perfect answer for applications where hands free lighting is essential, particularly where access is difficult, requiring climbing or crawling.

The HT-400 and HT-650 Headtorches have been Certified by Baseefa for use in explosive atmospheres. They are CE marked in compliance with the 94/9/EC (ATEX Equipment) Directive, for use in hazardous area activities within the EU. In addition, they are IECEx Scheme certified for use in other countries throughout the world. The approval code allows the HT-400 to be used in Zones 1 & 2 Hazardous Areas with the HT-650 Certified for use in Zone 0 also. This approval code also covers all group II (industrial) gas apparatus groups, for potentially explosive gases, vapours and mists up to T4 temperature class, and group I M2 mining applications.

The HT-400 Headtorch is a mini, lightweight headtorch weighing only 90 grams including batteries, whilst the larger HT-650 model weighs 180 grams. They are both constructed from robust, highly durable, high impact thermoplastic materials which are chemical resistant and electrostatic non hazardous, and are fitted with a shatterproof polycarbonate lens. The headtorches have a tilt adjustment mechanism to allow the user to angle the light, and utilise bespoke optics for a broad spot beam, suitable for close up hands free inspection and maintenance tasks.

Wolf ATEX LED Headtorches have a long life, 'fitted for life' high power LED light source. The HT-400 has up to 50 lumens of light output with an optimum light duration of approximately 6 hours from a set of three AAA alkaline cells. The HT-650 has a more powerful light output of up to 130 lumens with an optimum

light duration of approximately 14 hours from a set of three AA alkaline cells. The use of primary cells makes these products a more economical solution for personal lighting requirements in many applications arising in Hazardous Area confined spaces. The ATEX LED Headtorch range has been designed for single handed switching and is water and dust tight to a minimum of IP66.

The HT-400 and HT-650 are supplied fitted with an adjustable removable fabric head band allowing the headtorch to be comfortably worn directly on the head for extended periods. A set of 4 helmet clips is supplied with the HT-400 and HT-650 to allow the headtorch to be securely attached to a hardhat or safety helmet. The HT-650 is also supplied with an easy clean inert silicone rubber strap which allows the headtorch to grip to hard hats and safety helmets.

Wolf ATEX Headtorch Range			
Technical Specification			
Product Reference		HT-400	HT-650
Product Description		Mini ATEX LED Headtorch, Zone 1	ATEX LED Headtorch, Zone 0
Code	Industrial	II 2 G Ex ib IIC T4 Gb IP66	II 1 G Ex ia IIC T4/T3 Ga IP66
	Mining	I M2 Ex ib I Mb IP66	I M1 Ex ia I Ma IP66
Type of protection		'ib' Intrinsic Safety	'ia' Intrinsic Safety
Area of classification (gases)		Zones 1 and 2, Gas groups IIA, IIB, IIC	Zones 0, 1 and 2, Gas groups IIA, IIB, IIC
Temp. classification (gases)		T4	T4/T3
Ambient temperature		-20°C to +40°C	
Certificate		Baseefa10ATEX0067 IECEx BAS 10.0023	
Enclosure		High impact thermoplastic, chemical resistant, electrostatic non-hazardous	
Lens		Shatterproof polycarbonate	
Beam type		Broad spot with wide angle fringe light	
Light Source	Type	High power LED	
	Output	Up to 50 lm	Up to 130 lm
	Life	25,000+ hours (fitted for life)	
Power Source	Pt. no.	3 x LT-401 (LR03 Cells)	3 x HT-210 (LR6 Cells)
	Type	LR03 primary cells, to IEC 60086, Alkaline AAA	LR6 primary cells, to IEC 60086, Alkaline AA
	Volts	3 x 1.5v	3 x 1.5v
Light duration		Up to 6 hours	Up to 14 hours
Ingress protection		IP66	IP66
Weight (incl cells)		0.090Kg	0.180Kg

These specifications are subject to change without notice.

All information has been gathered under laboratory conditions, the user must regard the values given as approximate

WOLF SAFETY LAMP COMPANY

Saxon Road Works, Sheffield S8 0YA, England

Tel: +44 114 255 1051 Fax: +44 114 255 7988

E-mail: info@wolf-safety.co.uk Website: www.wolf-safety.co.uk



Wolf Safety Lamp Company

X-ON Electronics

Largest Supplier of Electrical and Electronic Components

Click to view similar products for [wolf](#) manufacturer:

Other Similar products are found below :

[M-20](#)