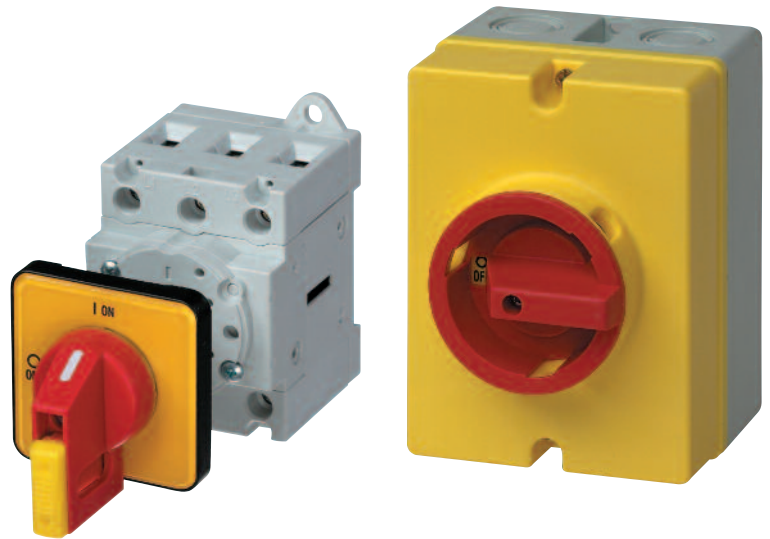


Isolators 69 Series



- 3 and 4 pole
- On load 20A - 80A
- Red/yellow or black handles
- 3 padlock positions
- IP65
- Enclosed, DIN rail, base or panel mount versions
- Lightweight ext shafts 100-400mm
- Side mounted auxiliary contacts
- UL approval

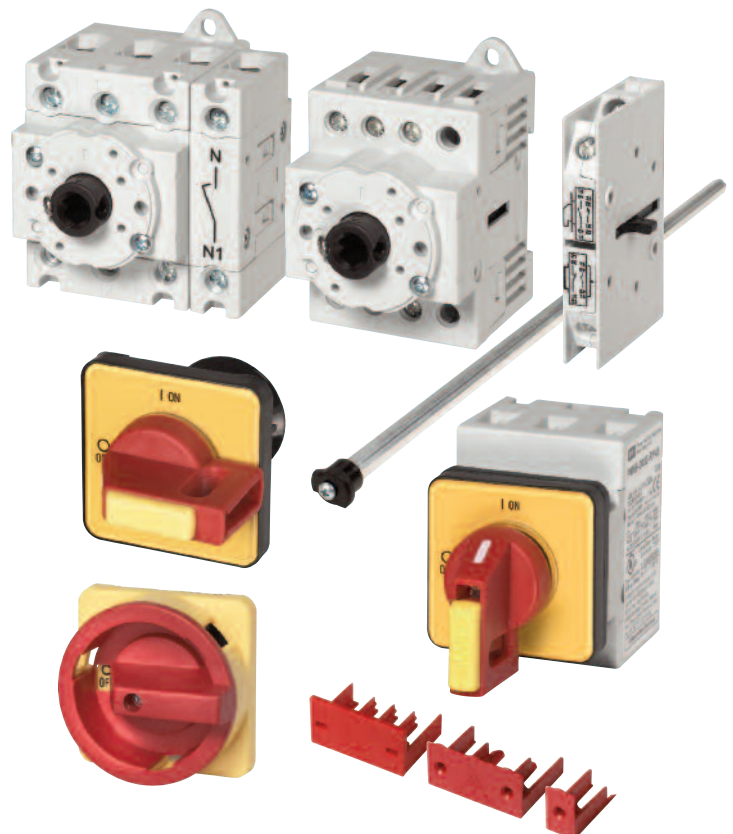


Options and ordering codes

PM69		-	30		20		RY64	
IP65 enclosed	PE69		3 pole	30	Rating @ 400V		RY48	Direct red/yellow 48mm handle
Base mount door interlock	LB69		4 pole	40	AC21/Amps	AC23/kW	RY64	Direct red/yellow 64mm handle
Front panel mount	PM69				20	5.5	B48	Direct black 48mm handle
Direct handle base mounted	DM69				25	7.5	B64	Direct black 64mm handle
					32	11		Enclosed/door interlocked vertical
					40	15		
					63	18.5		
					80	22		

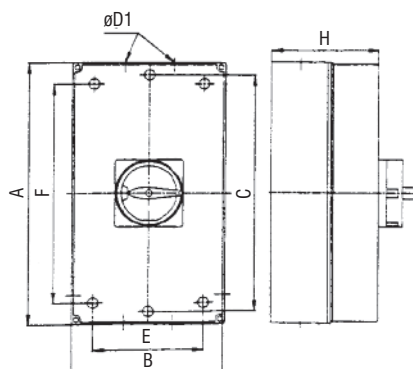
Accessories

Description	Part ref
Red/yellow handle 64 x 64mm	H69-0001
Black handle 64 x 64mm	H69-0002
Red/yellow handle 48 x 48mm	H69-0003
Black handle 48 x 48mm	H69-0004
Door handle mounting tool	J7409
Extension shaft – 100mm	E69-0001
Extension shaft – 200mm	E69-0002
Extension shaft – 300mm	E69-0003
Extension shaft – 400mm	E69-0004
Auxiliary contacts 1 n/o + 1 n/c	A69-0001
Auxiliary contacts 2 n/o	A69-0002
Solid neutral block SN69-0001	
Add on neutral switching pole 20-40A	SP69-0001
Add on neutral switching pole 63-80A	SP69-0002
Yellow plate – main switch 64mm	EP69-0001
Yellow plate – main switch 48mm	EP69-0002
Auxiliary contacts 1 n/o + 1 n/c	A69-0001
Auxiliary contacts 2 n/o only	A69-0002
Terminal shroud - 40A	TS69-0001
Terminal shroud - 63, 80A	TS69-0002



Dimensions

Switch Rating	A	B	D1	E	F	H
20A to 40A	130	98	2xM20/25	75	100	77
63A and 80A	200	120	M40.5/ 32.5 + 16.5	95	165	86



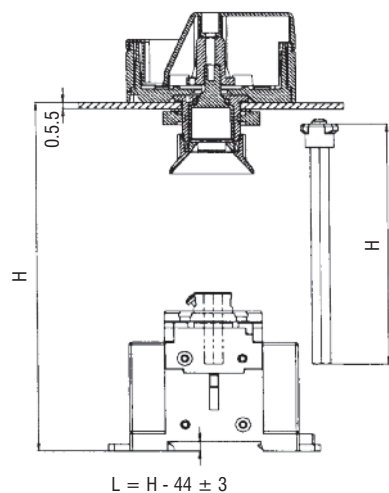
Specification

PE/LB/PM/DM ...		69-3020 69-4020	69-3025 69-4025	69-3032 69-4032	69-3040 69-4040	69-3063 69-4063	69-3080 69-4080
Rated insulation voltage	Ui	690	690	690	690	690	6
Rated thermal current	I _{th}	20A	25A	32A	40A	63A	80A
Ratings @ 415V							
AC21	A	20	25	32	40	63	80
AC22	A	20	25	32	40	63	80
AC23	Kw	5.5	7.5	11	15	18.5	22
Making capacity @ 415V	A _{eff}	120	150	220	300	370	44
Breaking capacity @ 415V	A _{eff}	110	135	200	250	330	380
Electrical life @ rated load							
Mechanical life	x10 ³	100	100	100	100	100	100
Maximum cable size	mm ²	10	10	10	10	25	25
Weight	g	0.46	0.46	0.46	0.46	0.46	0.46

Dimensions

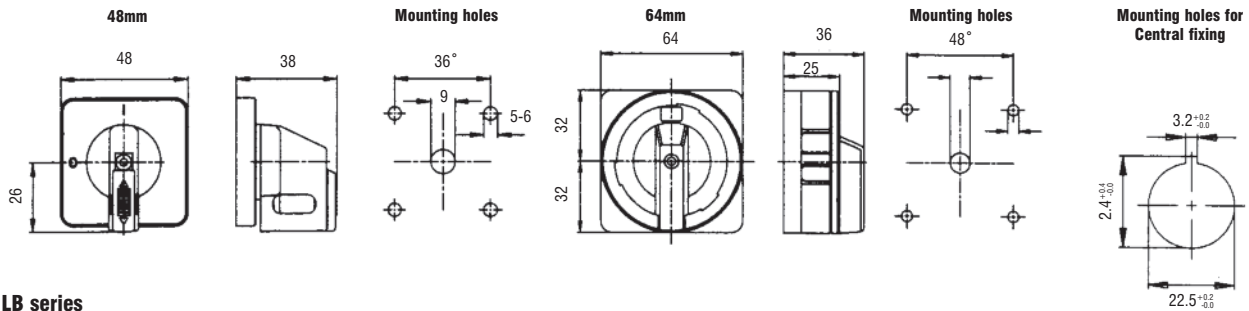
LB Series

H = Base plate to door, L = shaft length

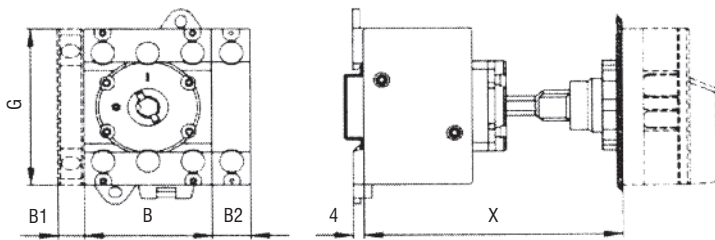


Dimensions *continued*

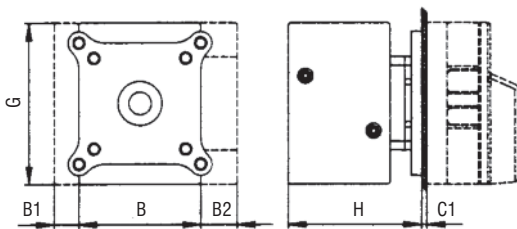
Door interlock levellers 48mm



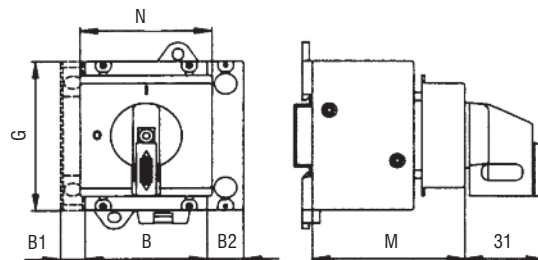
LB series



PM series



DM series



Type	3-pole B	4-pole B	Auxiliary contacts B1	4-pole PE B2	C1	H	M	N
20A to 80A	48	62.5	10	14.5	1-5	54	60	52

X-ON Electronics

Largest Supplier of Electrical and Electronic Components

Click to view similar products for imo manufacturer:

Other Similar products are found below :

[20.155MV/12-E](#) [MC14N-S-10110AC](#) [MB09-S-10=24](#) [DPS-1-030-24](#) [SRF-1C-SL-12VDC](#) [MB09-S-1024](#) [LDC18RRS](#) [SFSYE0111](#)
[21.1500M/6-E](#) [20.3304M/2-E](#) [21.910M/5-E](#) [20.95MA/2-E](#) [21.95MHF/2-E](#) [PE69-4032](#) [DPS-1-060-24](#) [CS20A-A2](#) [CS20A-U1](#) [VFC02](#)
[MSSTC11DA06](#) [20.95MHF/3-E](#) [B3T10](#) [XKL-040-21](#) [20.3304M/4-E](#) [SRDH-1A-SL-24VDC](#) [20.2500M/5-E](#) [21.155MH/12](#) [SRRHN-2CN-](#)
[SL-12VDC](#) [QYE21XXF24DC](#) [20.920M/5-E](#) [MC10N-S-10110AC](#) [21.1550MF/8-E](#) [20.910M/6-E](#) [20.95MH/3-E](#) [21.95MV/3](#) [MA05-S-](#)
[01230AC](#) [SRRHN-2CN-SL-5VDC](#) [LB69-4040](#) [20.3001M/6](#) [21.1500M/3-E](#) [21.95MHF/6-E](#) [20.95MV/2-E](#) [20.155MV/4-E](#) [20.950M/2-E](#)
[MT5 1-50-FAR](#) [BS3P3REDO](#) [MB12-S-10=24](#) [MA05-S-1024DC](#) [20.155MVF/8-E](#) [20.3302M/4-E](#) [20.910M/3-E](#)