

Ledex® Size 125 Pull Tubular Solenoids — 1-1/4" Dia. x 2-1/4"

Part Number: 174419-0XX

All products are RoHS Compliant

LINEAR Tubular

Coil AWG Number
(from performance chart below)

Performance

Maximum Duty Cycle	100%	50%	25%	10%
Maximum ON Time (sec) when pulsed continuously ¹	∞	390	60	18
Maximum ON Time (sec) for single pulse ²	∞	510	160	45
Watts (@ 20°C)	13	26	52	130
Ampere Turns (@ 20°C)	1500	2121	3000	4743

Coil Data

awg (0XX) ³	Resistance (@20°C)	# Turns ⁴	VDC (Nom)	VDC (Nom)	VDC (Nom)	VDC (Nom)
23	3.52	780	6.8	9.6	13.6	22.0
24	6.04	1056	8.6	12.2	17.2	27.0
25	8.47	1176	10.9	15.4	22.0	34.0
26	14.10	1540	13.8	19.5	28.0	44.0
27	22.50	1970	17.3	24.0	35.0	55.0
28	36.10	2484	22.0	31.0	44.0	69.0
29	55.10	3060	27.0	38.0	54.0	86.0
30	88.10	3805	35.0	49.0	70.0	110.0
31	147.00	5044	44.0	62.0	88.0	139.0
32	214.00	5992	54.0	76.0	107.0	170.0
33	354.00	7744	69.0	98.0	138.0	218.0

- ¹ Continuously pulsed at stated watts and duty cycle
- ² Single pulse at stated watts (with coil at ambient room temperature 20°C)
- ³ Other coil awg sizes available — please consult factory
- ⁴ Reference number of turns

Specifications

Dielectric Strength	1000 VRMS
Recommended Minimum Heat Sink	Maximum watts dissipated by solenoid are based on an unrestricted flow of air at 20°C, with solenoid mounted on the equivalent of an aluminum plate measuring 5" square by 1/8" thick
Coil Resistance	±5% tolerance
Holding Force	9 lbs (40.0 N) @ 20°C
Weight	10.41 oz (295 g)
Plunger Weight	1.87 oz (53.2 g)

How to Order

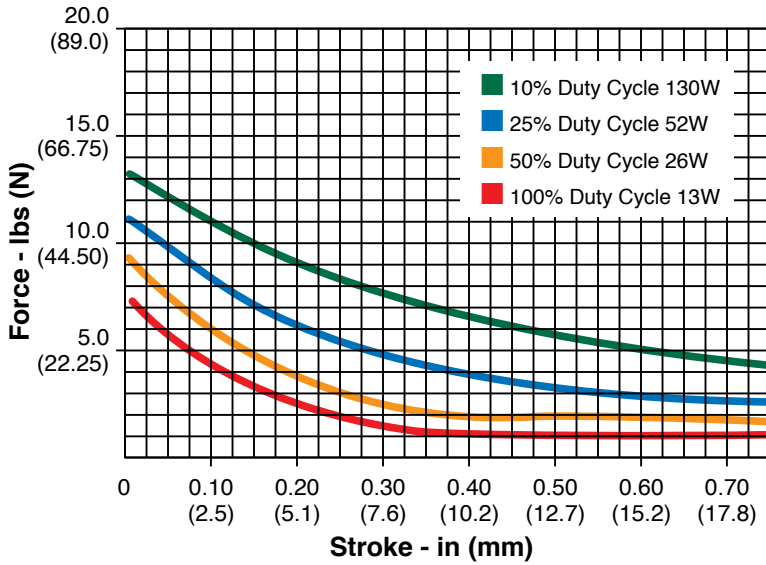
Add the coil awg number (0XX) to the part number (for example: to order a 25% duty cycle unit rated at 35 VDC, specify 174419-027).

Please see www.ledex.com for our list of stock products available through our North American distributors.

All specifications subject to change without notice.

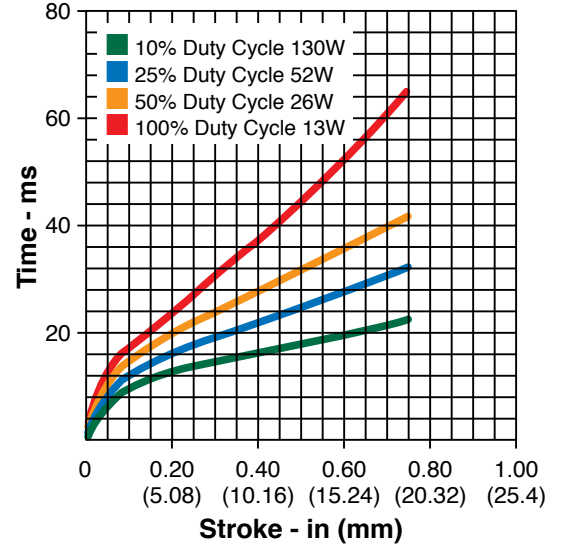
Ledex® Size 125 Pull Tubular Solenoids — 1-1/4" Dia. x 2-1/4"

Typical Force @ 20°C



Force values for reference only.

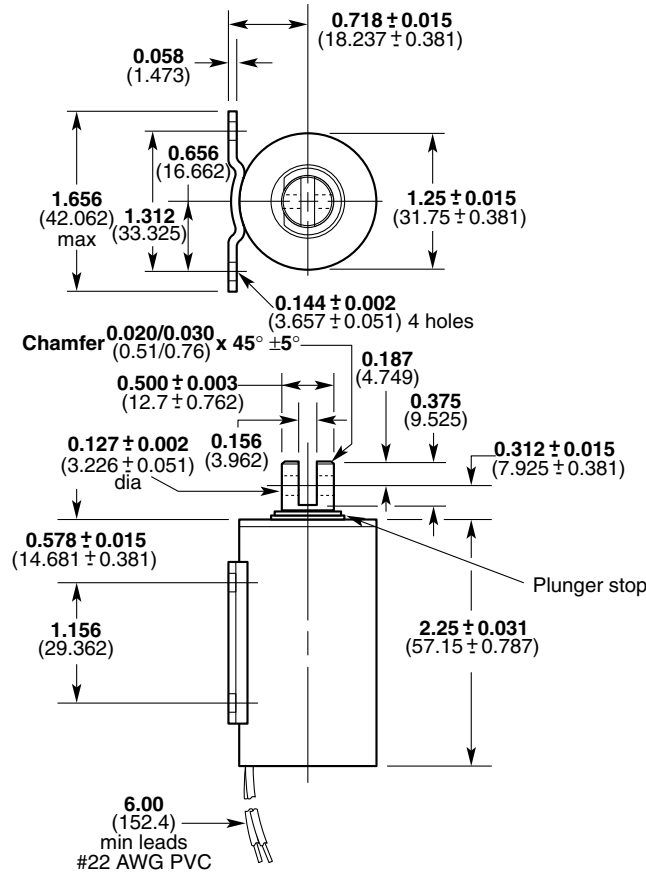
Typical Speed @ No Load, 20°C



Dimensions

Inches (mm)

All solenoids are illustrated in energized state



X-ON Electronics

Largest Supplier of Electrical and Electronic Components

Click to view similar products for [ledex manufacturer](#):

Other Similar products are found below :

[174419-029](#) [174419-026](#) [2536-F-34](#) [129409-028](#) [195206-224](#) [174534-035](#) [129415-029](#) [195201-234](#) [195191-031](#) [190834-029](#) [195204-233](#)
[129415-026](#) [H-2268-031](#) [123422-028](#) [195200-234](#) [129450-029](#) [174419-023](#) [B14HD-254-B-4](#) [282342-028](#) [2006-F-34](#) [195201-237](#) [B14HD-](#)
[L-254-B-4](#) [195224-231](#) [1250-A-1](#) [2537-F-34](#) [195202-237](#) [195207-231](#) [195206-225](#) [129450-026](#) [1000-M-1](#) [2255-F-34](#) [2256-F-34](#) [174432-](#)
[024](#) [3500-M-1](#) [2005-F-34](#) [152097-230](#) [3000-M-1](#) [154660-227](#) [173921-023](#) [123421-036](#) [195224-229](#) [H-2414-029](#) [195205-230](#) [123423-030](#)
[195225-229](#) [195223-233](#) [195203-234](#) [B11HD-253-B-3](#) [195202-231](#) [123421-033](#)