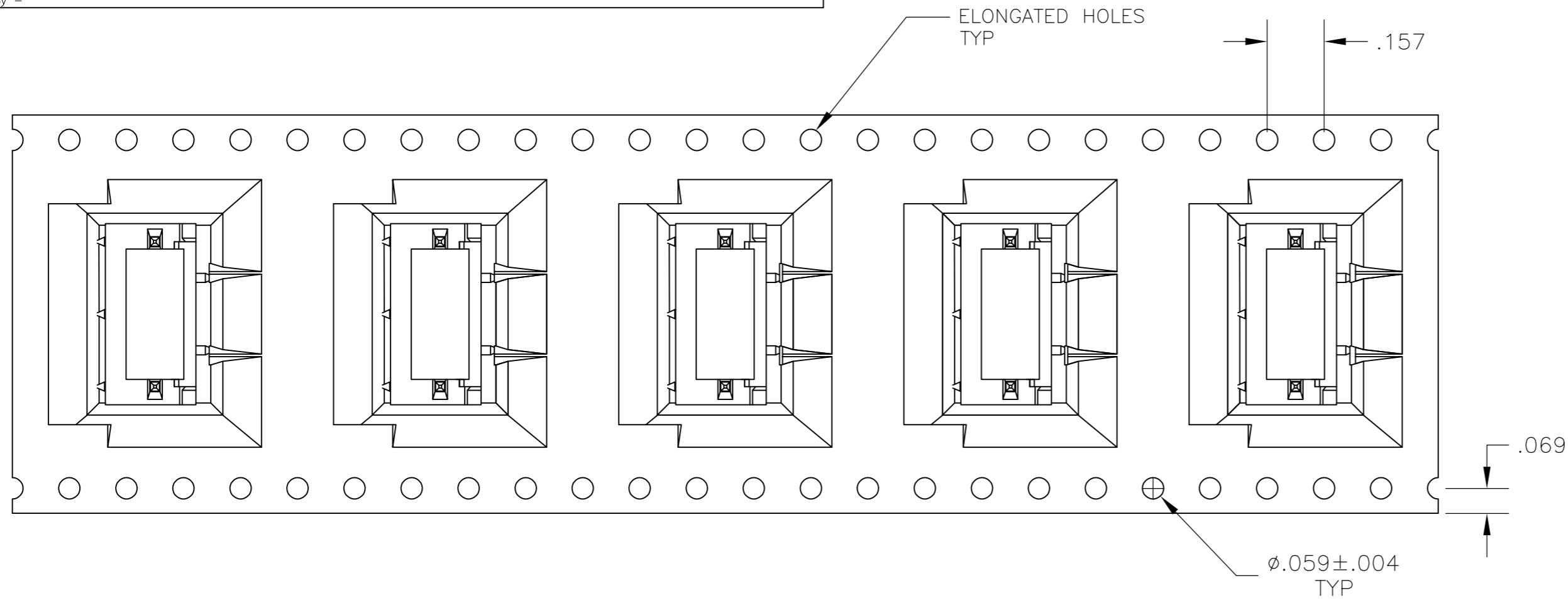
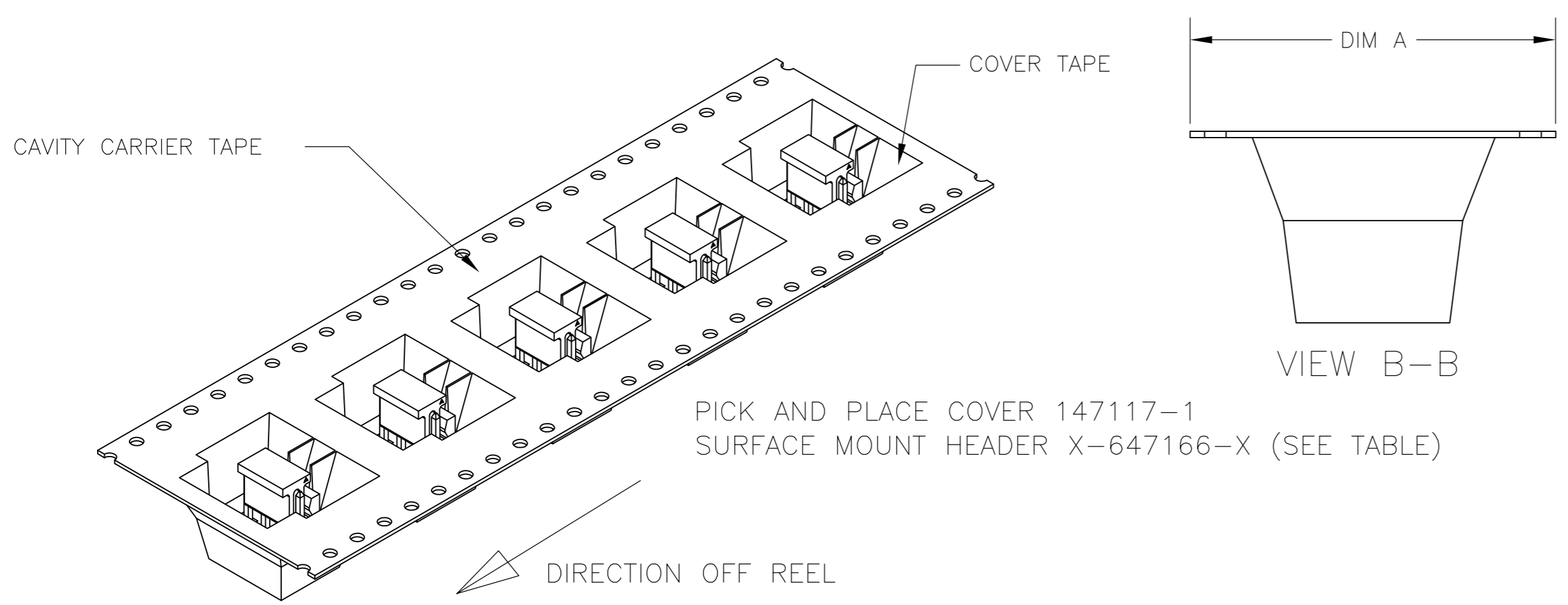
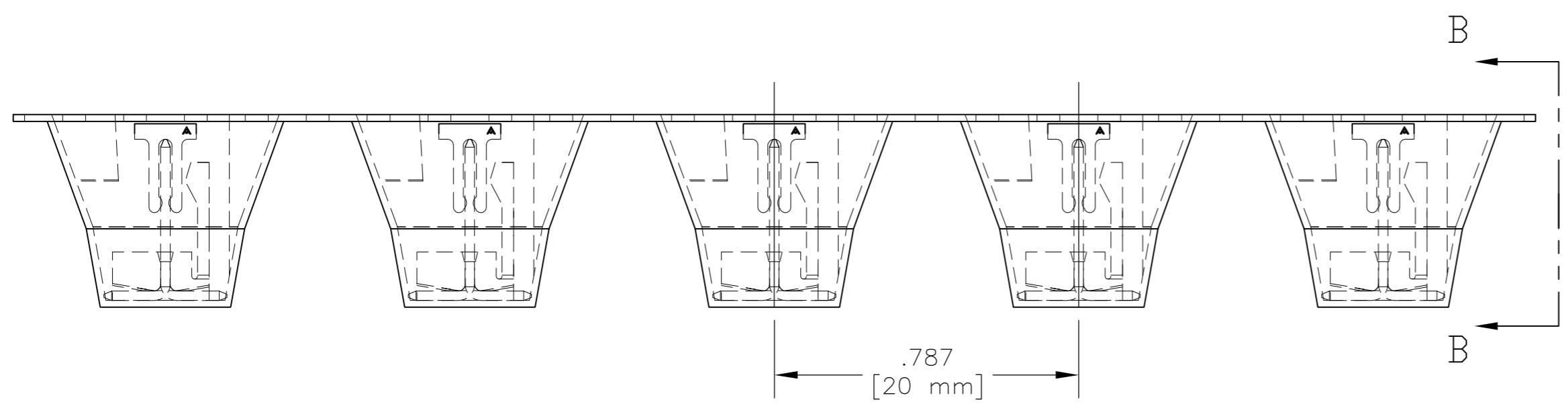


THIS DRAWING IS UNPUBLISHED. RELEASED FOR PUBLICATION  
 © COPYRIGHT - By - ALL RIGHTS RESERVED.

LOC		DIST		REVISIONS			
P	LTR	DESCRIPTION		DATE	DWN	APVD	
AF	-	A2	REVISED PER ECO-12-014998	24OCT12	KH	SM	



- 1 MATERIAL:  
HOUSING- NYLON, UL94V-0, BLACK  
CONTACT- COPPER ALLOY  
CAVITY CARRIER TAPE- BLACK CONDUCTIVE PLOYCARBONATE
- 2 FINISH:  
CONTACT - TIN PLATE
- 3 POST TO WITHSTAND 13 NEWTONS [ 3 LBS ] MIN AXIAL FORCE IN THIS DIRECTION WITHOUT DISLODGING, BEFORE SOLDERING.
- 4 POSTS SOLDERTAILS MUST COMPLY WITH TE SOLDERABILITY SPEC 109-11-2.
- 5 MEASURED AT [-A-]
- 6 APPLIES WHEN HEADER IS HELD STRAIGHT
- 7 COORDINATE DIM APPLIES FROM CENTER OF ACTUAL FEATURE.
- 8 DIMENSION APPLY TO THE COMPONENT SIDE OF BOARD
- 9 MAX TEMP EXPOSURE DURING REFLOW SOLDERING MAY NOT EXCEED 280°C [ 536°F].
- 10 HEADERS ARE SUPPLIED ON A 330.2mm [13] DIAMETER REEL WITH 225 PARTS PER REEL. THE CAVITY CARRIER TAPE HOLDS 1 PART PER POCKET, ORIENTED AS SHOWN.
- 11 TE LOGO, UL AND CSA TRADEMARKS MARKED AT THIS LOACTION



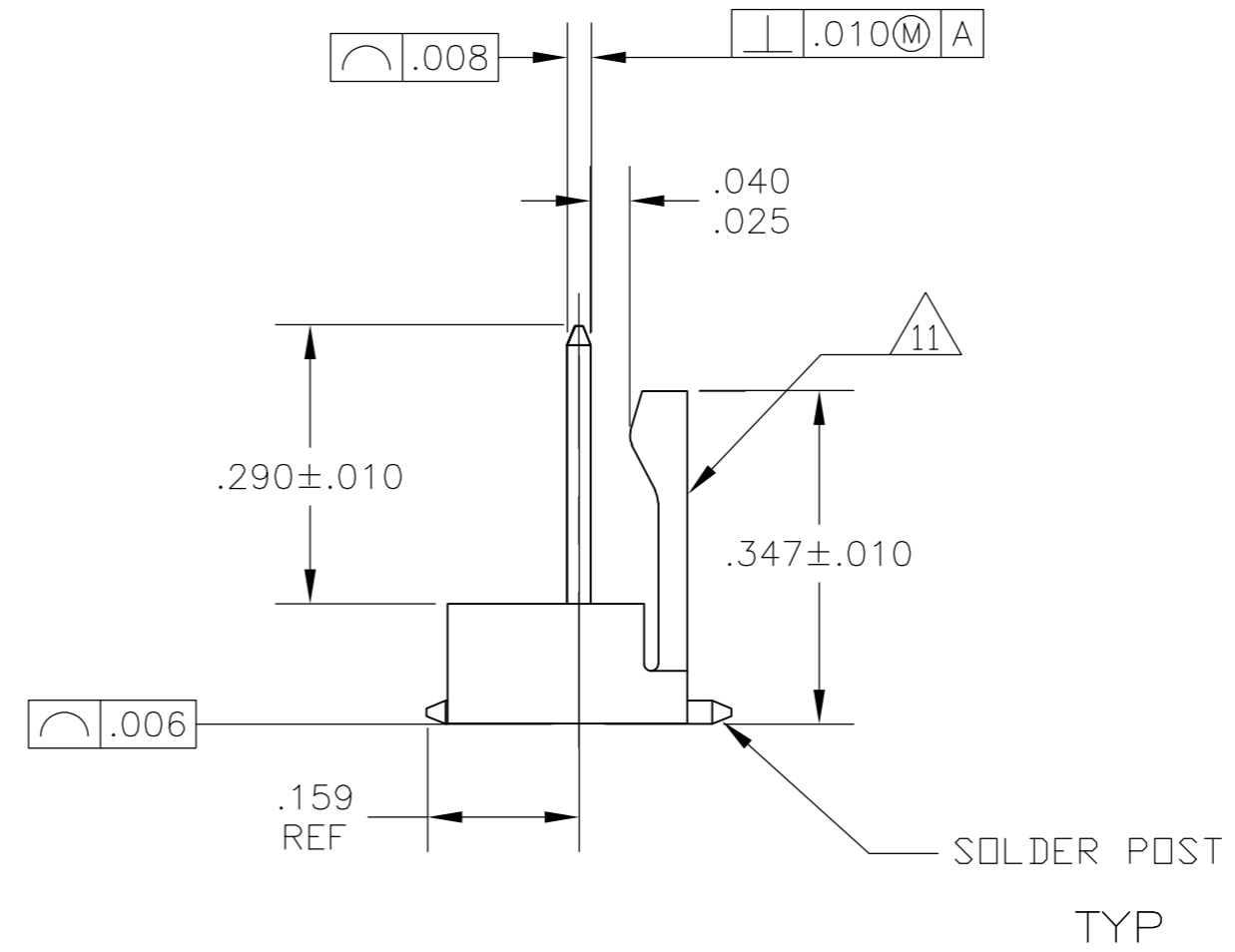
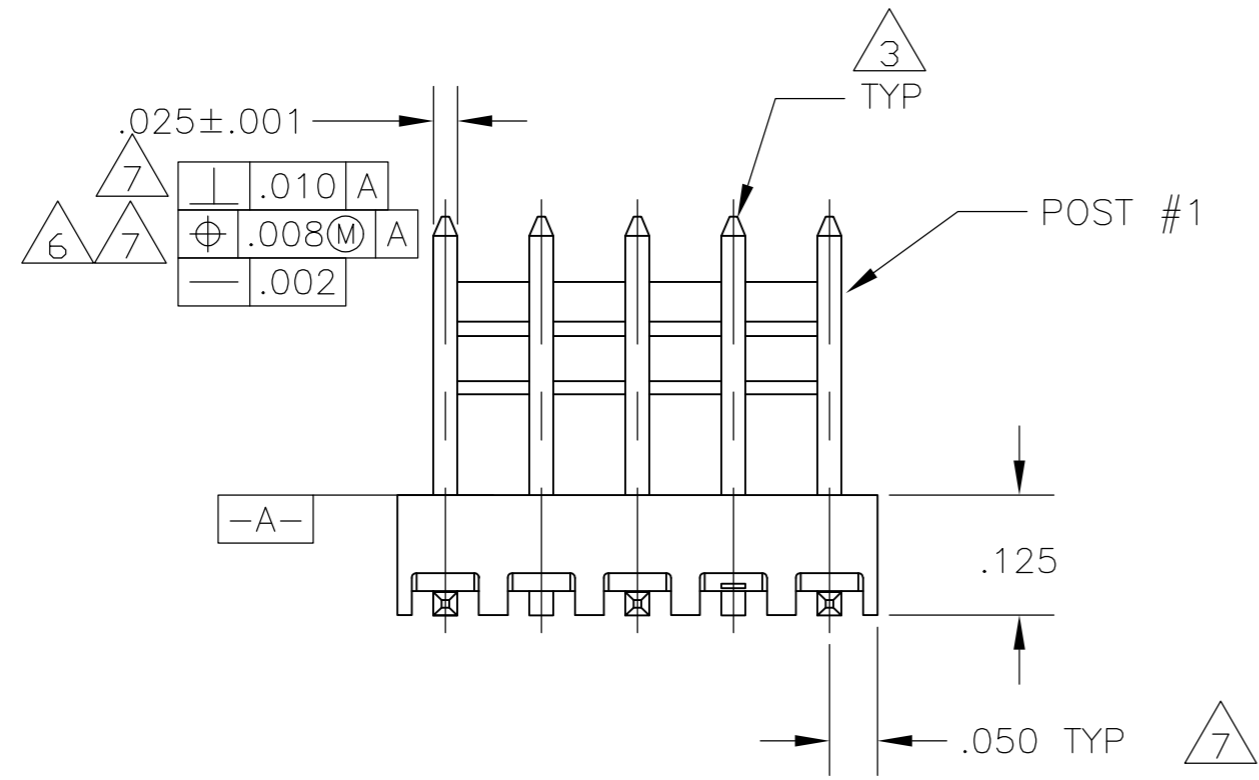
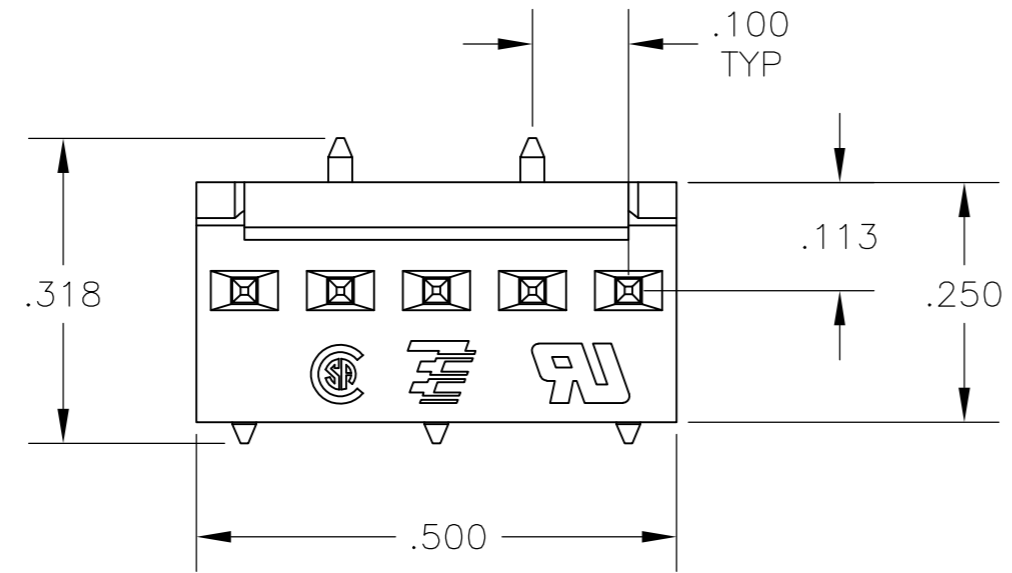
PICK AND PLACE COVER 147117-1  
 SURFACE MOUNT HEADER X-647166-X (SEE TABLE)

1.73 [44mm]	1 REQ'D	1 REQ'D	12	1-1744382-2
1.26 [32mm]	1 REQ'D	1 REQ'D	8	1744382-8
1.26 [32mm]	1 REQ'D	1 REQ'D	7	1744382-7
1.26 [32mm]	1 REQ'D	1 REQ'D	6	1744382-6
1.26 [32mm]	1 REQ'D	1 REQ'D	5	1744382-5
1.26 [32mm]	1 REQ'D	1 REQ'D	4	1744382-4
DIM A	PICK AND PLACE COVER	HEADER ASSEMBLY	NO. OF POSITIONS	PART NO

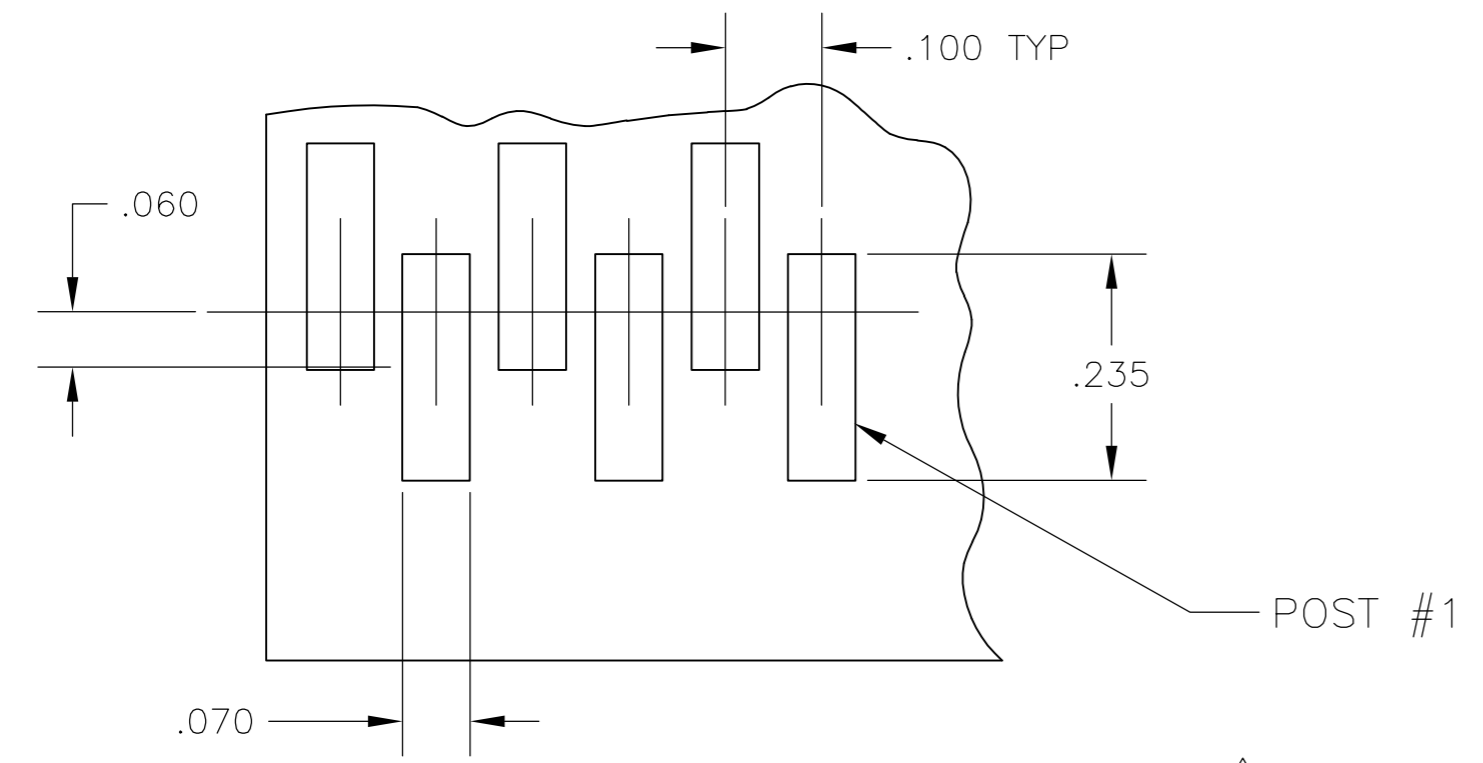
THIS DRAWING IS A CONTROLLED DOCUMENT.		DWN jr ruth 30MAR11	<b>TE</b> TE Connectivity	
DIMENSIONS: INCHES		CHK SAM MACE 30MAR11		
TOLERANCES UNLESS OTHERWISE SPECIFIED:		APVD SAM MACE 30MAR11	NAME MTA-100 HEADER ASSY, SURFACE MOUNT, FRICTION LOCK, .025 SQ. POST, TIN PLATED, TAPE LOADED W/CAP	
0 PLC ± -	1 PLC ± -	PRODUCT SPEC	SIZE A2	CAGE CODE 00779
2 PLC ± -	3 PLC ± .005	APPLICATION SPEC	DRAWING NO C=1744382	RESTRICTED TO -
4 PLC ± -	ANGLES ± 1°	WEIGHT -	SCALE 3:1	SHEET 1 of 3
MATERIAL -	FINISH -	CUSTOMER DRAWING	REV A2	

THIS DRAWING IS UNPUBLISHED. RELEASED FOR PUBLICATION  
 © COPYRIGHT - By - ALL RIGHTS RESERVED.

LOC		DIST		REVISIONS			
P	LTR	DESCRIPTION	DATE	DWN	APVD		
-	-	SEE SHEET 1	-	-	-	-	-



MTA-100 HEADER SHOWN



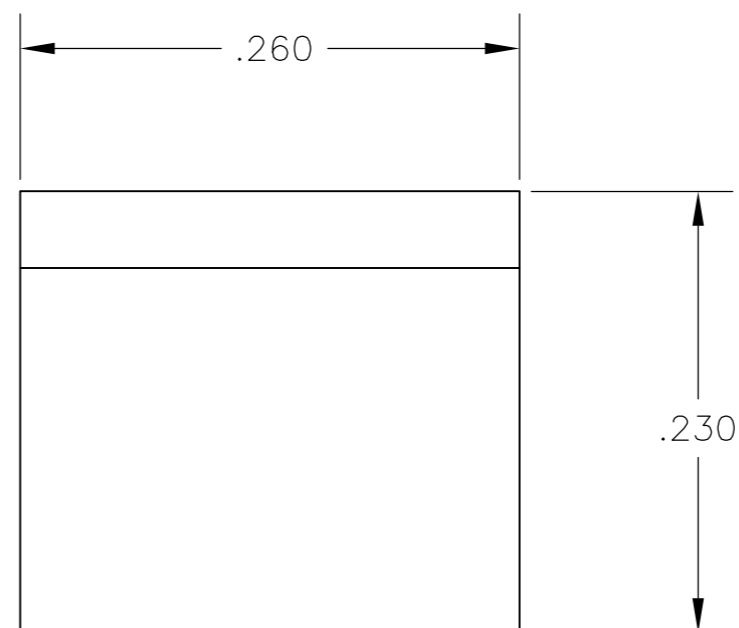
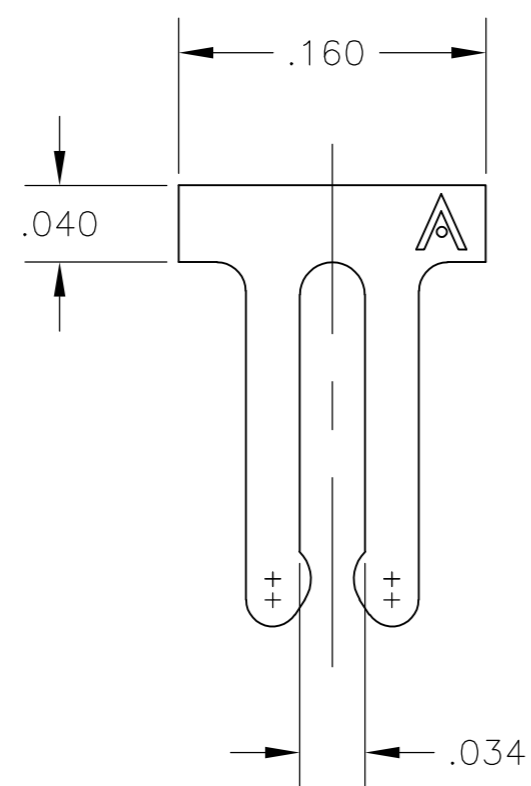
RECOMMENDED P.C. BOARD LAYOUT FOR USE WITH .010 THICK STENCIL

DIM L	NO. OF POSITIONS	PART NO
1.200 [30.48mm]	12	1-1744382-2
.800 [20.32mm]	8	1744382-8
.700 [17.78mm]	7	1744382-7
.600 [15.24mm]	6	1744382-6
.500 [12.70mm]	5	1744382-5
.400 [10.16mm]	4	1744382-4

THIS DRAWING IS A CONTROLLED DOCUMENT.		DWN jr ruth 30MAR11	TE Connectivity	
DIMENSIONS: INCHES		CHK SAM MACE 30MAR11	NAME MTA-100 HEADER ASSY, SURFACE MOUNT, FRICTION LOCK, .025 SQ. POST, TIN PLATED, TAPE LOADED W/CAP	
TOLERANCES UNLESS OTHERWISE SPECIFIED: 0 PLC ± - 1 PLC ± - 2 PLC ± - 3 PLC ± .005 4 PLC ± - ANGLES ± 1°		APVD SAM MACE 30MAR11	DRAWING NO A2 00779 C=1744382	
MATERIAL -		FINISH -	WEIGHT -	RESTRICTED TO -
CUSTOMER DRAWING		SCALE 3:1	SHEET 2 of 3	REV A2

THIS DRAWING IS UNPUBLISHED. RELEASED FOR PUBLICATION  
 © COPYRIGHT - By - ALL RIGHTS RESERVED.

LOC	DIST	REVISIONS					
AF	-	P	LTR	DESCRIPTION	DATE	DWN	APVD
		-	-	SEE SHEET 1	-	-	-



CAP FOR HEADER

THIS DRAWING IS A CONTROLLED DOCUMENT.		DWN	jr ruth	30MAR11	
DIMENSIONS: INCHES		CHK	SAM MACE	30MAR11	
TOLERANCES UNLESS OTHERWISE SPECIFIED:		APVD	SAM MACE	30MAR11	
0 PLC ± - 1 PLC ± - 2 PLC ± - 3 PLC ± .005 4 PLC ± - ANGLES ± 1°		PRODUCT SPEC	NAME		
MATERIAL		APPLICATION SPEC		MTA-100 HEADER ASSY, SURFACE MOUNT, FRICTION LOCK, .025 SQ. POST, TIN PLATED, TAPE LOADED W/CAP	
FINISH		WEIGHT	A2 00779 C=1744382		RESTRICTED TO
-		CUSTOMER DRAWING		SCALE 3:1	SHEET 3 of 3
				REV A2	

## X-ON Electronics

Largest Supplier of Electrical and Electronic Components

*Click to view similar products for te connectivity manufacturer:*

Other Similar products are found below :

[570416-000](#) [CLTEQ-M81CE-SSRELAY-4-20V](#) [D38999/24FJ4AN](#) [358838-000](#) [4-1195131-0](#) [650069-000](#) [SMD100-2](#) [CB-1022B-78](#)  
[RM707012](#) [RP410012](#) [MMS42](#) [1-640426-8](#) [2EDL4CM](#) [DTS20W19-11PD-3028-LC](#) [RM202615](#) [NC6-P104-06](#) [MSPS103B](#) [DTS26F21-41AE](#) [DTS26F21-41PE-LC](#) [DTS26F21-11SE-3028-LC](#) [1932144-1](#) [293545-4](#) [LVR125S](#) [MS27466T25F4PB](#) [CKB-38-78010](#)  
[1206SFF150F/63-2](#) [D38999/20JB35HA](#) [D38999/24WJ20PA](#) [1754138-1](#) [TE1500A2R2J](#) [DTS24F25-29PC-3028-LC](#) [D38999/24WG11HA](#)  
[D38999/24WG11HN](#) [MS27467T21F11H](#) [DJT16E21-11HA](#) [1206SFH150F/24-2](#) [DTS24F19-11SC-3028-LC](#) [DTS24F21-41HN-LC](#)  
[DTS24F21-41AN](#) [DTS24F21-41PN-LC](#) [MS27467T21F35J](#) [MS27467T21F11J](#) [MS27467T21F16H-LC](#) [MS27467T21F35H](#)  
[MS27467T21F41H-LC](#) [DJT16E21-11PA-LC](#) [DJT16E21-11HA-LC](#) [DJT16E21-11AA](#) [MS27467T21B11JA](#) [DJT16E21-11JA](#)