



Hoffman

GL66 SERIES STAINLESS STEEL ENCLOSURES

FOR INDOOR AND OUTDOOR APPLICATIONS

DESIGN WITH CONFIDENCE



A SUPERIOR CORROSION PROTECTION SOLUTION

GL66 Series stainless steel enclosures are designed for indoor or outdoor applications that require corrosion protection against chemicals and water. GL66 enclosures feature streamlined styling with a stroked finish and 3mm double bit quarter-turn latches for secure closure. For diverse applications, enclosures are available in hinged and screw cover models. GL66 enclosures also offer flexible internal mounting options, ranging from variable depth back panels to DIN-rail mounting provisions.

Applications include:

- Food and beverage production
- Offshore and all saline environments
- Waste and water treatment
- Packaging
- Pharmaceutical processing
- Outdoor environments and corrosive applications

c  us  **Type 4, 4X, 12**

Hoffman



GL66 SERIES STAINLESS STEEL SCREW COVER WALL-MOUNT ENCLOSURES



Aesthetic styling and an attractive, stroked finish make GL66STE enclosures an excellent choice when style and functionality are important.

GL66STE enclosures have an outward formed body flange to prevent contaminants from entering the enclosure and are available in two cover styles: hinged solid door and solid screw cover.

INDUSTRY STANDARDS

Mounting brackets required to meet UL/CSA external mounting requirements.

UL 508A Listed; Type 4, 4X, 12; File No. E61997
cUL Listed per CSA C22.2 No 94; Type 4,4X,12;
File No. E61997

NEMA/EEMAC Type 4, 4X, 12
CSA File No. 42186: Type 4, 4X, 12
IEC/EN 60529, IP66
IEC/EN 62262, IK10

MODIFICATION AND CUSTOMIZATION

Hoffman excels at modifying and customizing products to your specifications.

Contact your local Hoffman sales office or distributor for complete information.

ACCESSORIES

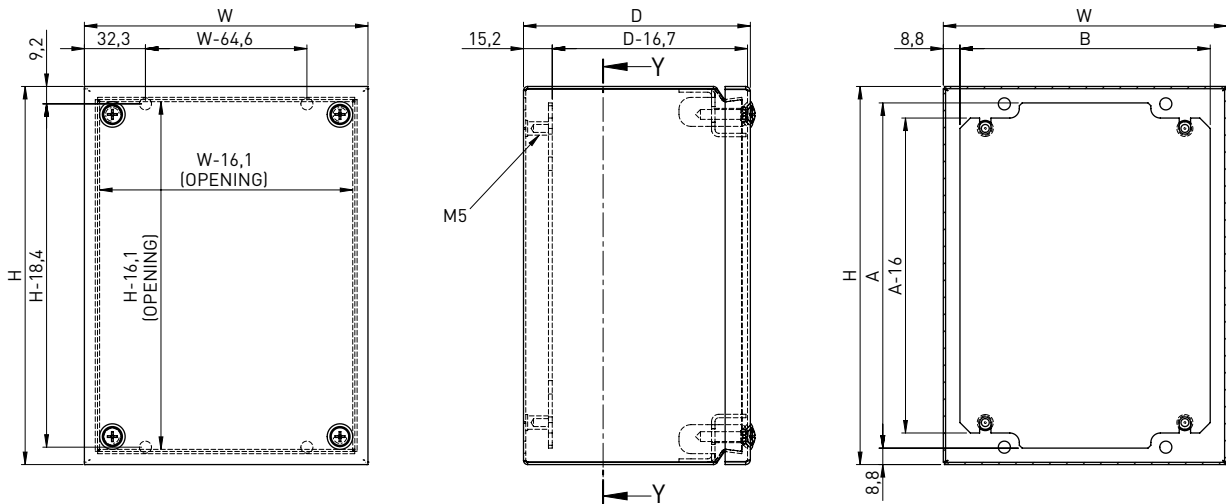
- DIN Rail Mounting Brackets symmetrical for height and width
- Mounting Panels 2,0 mm galvanized steel
- Mounting Bracket Kit

SPECIFICATIONS

- Stainless steel wall-mount GL66, IP66, UL/NEMA Type 4X enclosure
- Stainless steel type 304 or type 316L in standard
- Material thickness: 1,5 mm covers and 1,2 mm bodies
- Mounting panels or DIN rail must be ordered separately
- Seams continuously welded and ground smooth
- External formed body flange trough
- Fastening holes in back of body for direct mounting or optional external mounting brackets
- Seamless foam-in-place gasket
- M6 bonding provision on cover, M6 ground stud in body
- Cover and body have 320 grain brushed finish
- Furnished hardware kit includes panel mounting screws, grounding hardware and sealing washers for wall-mounting holes
- Captivated Type 316 stainless steel cover screws with sealing bushings made of a durable composite material
- Integral compression stops maintain optimal gasket compression
- Mounting plate is not included and should be ordered separately
- Installation instructions

STANDARD PRODUCT

Item number	Description	H [mm]	W [mm]	D [mm]	Material	Conductive mounting panel
MSC15015080SSE	Wallmount StSt304 IP66 Screw cov	150	150	80	304	MSC150P150GE
MSC150150120SSE	Wallmount StSt304 IP66 Screw cov	150	150	120	304	MSC150P150GE
MSC15030080SSE	Wallmount StSt304 IP66 Screw cov	150	300	80	304	MSC300P150GE
MSC200150120SSE	Wallmount StSt304 IP66 Screw cov	200	150	120	304	MSC200P150GE
MSC20020080SSE	Wallmount StSt304 IP66 Screw cov	200	200	80	304	MSC200P200GE
MSC200200120SSE	Wallmount StSt304 IP66 Screw cov	200	200	120	304	MSC200P200GE
MSC20030080SSE	Wallmount StSt304 IP66 Screw cov	200	300	80	304	MSC300P200GE
MSC200300120SSE	Wallmount StSt304 IP66 Screw cov	200	300	120	304	MSC300P200GE
MSC20040080SSE	Wallmount StSt304 IP66 Screw cov	200	400	80	304	MSC400P200GE
MSC200400120SSE	Wallmount StSt304 IP66 Screw cov	200	400	120	304	MSC400P200GE
MSC250200150SSE	Wallmount StSt304 IP66 Screw cov	250	200	150	304	MSC250P200GE
MSC300300120SSE	Wallmount StSt304 IP66 Screw cov	300	300	120	304	MSC300P300GE
MSC300400120SSE	Wallmount StSt304 IP66 Screw cov	300	400	120	304	MSC400P300GE
MSC150150120SS6E	Wallmount StSt316L IP66 Screw cov	150	150	120	316L	MSC150P150GE
MSC200150120SS6E	Wallmount StSt316L IP66 Screw cov	200	150	120	316L	MSC200P150GE
MSC200300120SS6E	Wallmount StSt316L IP66 Screw cov	200	300	120	316L	MSC300P200GE
MSC250200150SS6E	Wallmount StSt316L IP66 Screw cov	250	200	150	316L	MSC250P200GE
MSC300300120SS6E	Wallmount StSt316L IP66 Screw cov	300	300	120	316L	MSC300P300GE



Specific size drawings available on request.

NOTES:

- Panel screws are M5-0,8 pan head
- Rear mounting holes will accommodate M6-1,0 or ¼-20UNC mounting screws (supplied by customer)
- Panels are 2,0mm conductive steel

ACCESSORIES

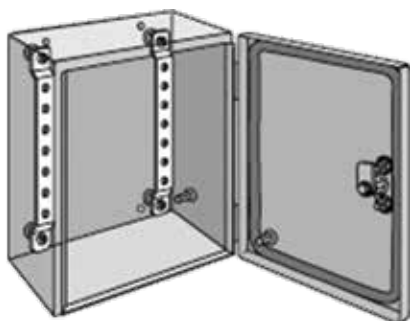
MOUNTING PLATE

Mounting plate is not included and should be ordered separately

Item number	Description	A	B
MSC150P150GE	MPL for GL66 SC size 150x150 mm	132,5	132,5
MSC200P150GE	MPL for GL66 SC size 200x150 mm	182,5	132,5
MSC200P200GE	MPL for GL66 SC size 200x200 mm	182,5	182,5
MSC250P200GE	MPL for GL66 SC size 250x200 mm	232,5	182,5
MSC300P150GE	MPL for GL66 SC size 300x150 mm	282,5	132,5
MSC300P200GE	MPL for GL66 SC size 300x200 mm	282,5	182,5
MSC300P300GE	MPL for GL66 SC size 300x300 mm	282,5	282,5
MSC400P200GE	MPL for GL66 SC size 400x200 mm	382,5	182,5
MSC400P300GE	MPL for GL66 SC size 400x300 mm	382,5	282,5

Please purchase the panels separately

DIN RAIL MOUNTING KIT



Item no.	Description	H or W of enclosure [mm]
LMK15E	DIN moun.brackets for GL66 SC	150
LMK20E	DIN moun.brackets for GL66 SC	200
LMK25E	DIN moun.brackets for GL66 SC	250
LMK30E	DIN moun.brackets for GL66 SC	300
LMK40E	DIN moun.brackets for GL66 SC	400

Use as a mounting framework to install DIN rails or a panel. Bracket is offset for additional space in front of or behind mounted equipment. Mounting hardware included.

WALL-MOUNTING BRACKETS



Item no.	Description
LMFKSS	SS304 w.m. brackets for GL66 SC

Kit is field-installable. Hardware included.
Four brackets per kit

GL66 SERIES STAINLESS STEEL HINGED COVER WALL-MOUNT ENCLOSURES



Manufactured in Type 304 and 316L stainless steel, these enclosures are ideal for indoor or outdoor applications which require corrosion protection from chemicals and water.

The enclosures contain an external body flange to prevent contaminants from entering the enclosure; a strong door with removable hinges; a conductive panel ordered separately and quarter-turn latch with 3 mm double-bit insert for a secure closure.

INDUSTRY STANDARDS

Mounting brackets required to meet UL/CSA external mounting requirements.

UL 508A Listed; Type 4, 4X, 12; File No. E61997
cUL Listed per CSA C22.2 No 94; Type 4, 4X, 12;
File No.E61997

NEMA/EEMAC Type 4, 4X, 12, 13
CSA File No. 42186: Type 4, 4X, 12
IEC/EN 60529, IP66
IEC/EN 62262, IK10

Ideally fits to the needs of markets:

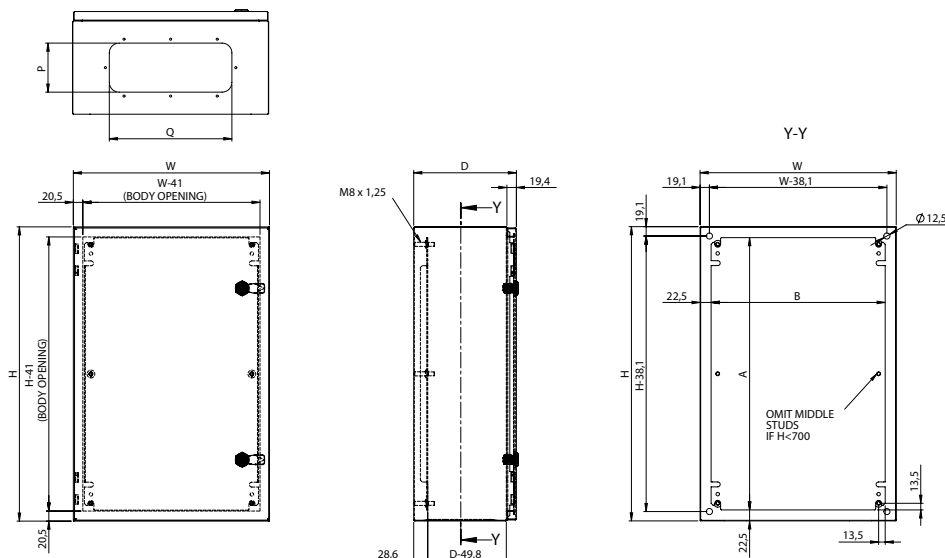
- Food and beverage production
- Offshore and all saline environments
- Waste and water treatment
- Packaging
- Pharmaceutical processing
- Outdoor environments and corrosive applications

SPECIFICATIONS

- Stainless steel wall-mount GL66, IP66, UL/NEMA Type 4X enclosure
- Stainless steel type 304 or type 316L in standard
- Material thickness: 1,5 and 2,0mm doors; 1,2 and 1,5mm body
- Versions with or without gland plate
- Minimum-width body flange provides maximum body opening
- External formed 90 degree body flange
- Door opens 210 degrees
- Mounting holes in back of body for direct mounting or for optional external mounting brackets
- Type 316 stainless steel hinge pins
- Doors are easily removed by pulling clip-style hinge pins
- Quarter-turn latches furnished with 3mm double-bit insert
- Seamless foam-in-place gasket
- Self-grounding latch system with double seal
- Grounding stud on the body
- Bonding provision on the door
- Left hinged doors
- Brushed finish 320 grain
- Furnished hardware kit includes panel mounting screws, gasketed gland plates and hardware, grounding hardware and sealing washers for wall-mounting holes
- Mounting plate is not included and should be ordered separately
- Installation instructions

STANDARD PRODUCT, STAINLESS STEEL 304

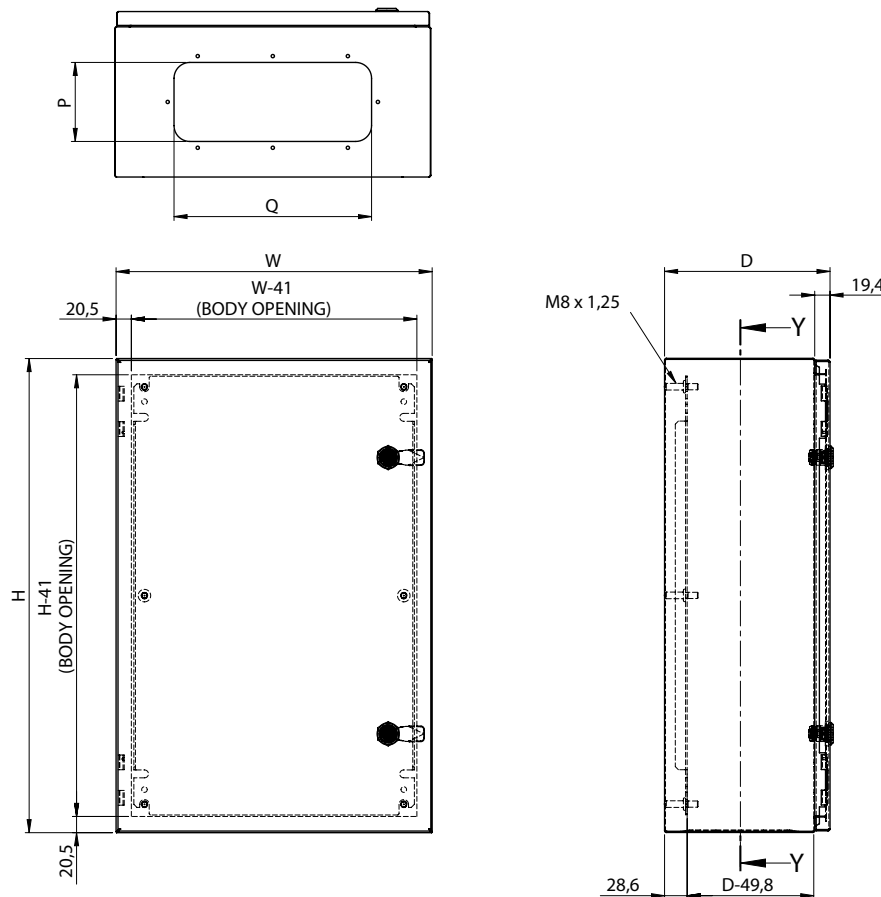
Item number	Description	H [mm]	W [mm]	D [mm]	Q [mm]	P [mm]	Material	Gland Plate	Conductive Mounting Panel
M300200120SSE	Wallmount StSt304 IP66 door	300	200	120	-	-	304	NO	M300P200GE
M300200150SSE	Wallmount StSt304 IP66 door	300	200	150	-	-	304	NO	M300P200GE
M300250150SSE	Wallmount StSt304 IP66 door	300	250	150	-	-	304	NO	M300P250GE
M300250210SSE	Wallmount StSt304 IP66 door	300	250	210	-	-	304	NO	M300P250GE
M300300120SSE	Wallmount StSt304 IP66 door	300	300	120	-	-	304	NO	M300P300GE
M300300210SSE	Wallmount StSt304 IP66 door	300	300	210	-	-	304	NO	M300P300GE
M300300210GSSE	Wallmount StSt304 IP66 door w GP	300	300	210	170	80	304	YES	M300P300GE
M300400120SSE	Wallmount StSt304 IP66 door	300	400	120	-	-	304	NO	M400P300GE
M300400210GSSE	Wallmount StSt304 IP66 door w GP	300	400	210	270	80	304	YES	M400P300GE
M350300210SSE	Wallmount StSt304 IP66 door	350	300	210	-	-	304	NO	M350P300GE
M400300150SSE	Wallmount StSt304L IP66 door	400	300	150	-	-	304	NO	M400P300GE
M400300210GSSE	Wallmount StSt304 IP66 door w GP	400	300	210	170	80	304	YES	M400P300GE
M400400210SSE	Wallmount StSt304 IP66 door	400	400	210	-	-	304	NO	M400P400GE
M400400210GSSE	Wallmount StSt304 IP66 door w GP	400	400	210	270	80	304	YES	M400P400GE
M400600210SSE	Wallmount StSt304 IP66 door	400	600	210	-	-	304	NO	M600P400GE
M500400210SSE	Wallmount StSt304 IP66 door	500	400	210	-	-	304	NO	M500P400GE
M500400210GSSE	Wallmount StSt304 IP66 door w GP	500	400	210	270	80	304	YES	M500P400GE
M500500210GSSE	Wallmount StSt304 IP66 door w GP	500	500	210	370	80	304	YES	M500P500GE
M500500300GSSE	Wallmount StSt304 IP66 door w GP	500	500	300	370	170	304	YES	M500P500GE
M600400210SSE	Wallmount StSt304 IP66 door	600	400	210	-	-	304	NO	M600P400GE
M600400210GSSE	Wallmount StSt304 IP66 door w GP	600	400	210	270	80	304	YES	M600P400GE
M600400350GSSE	Wallmount StSt304 IP66 door w GP	600	400	350	270	170	304	YES	M600P400GE
M600600210SSE	Wallmount StSt304 IP66 door	600	600	210	-	-	304	NO	M600P600GE
M600600210GSSE	Wallmount StSt304 IP66 door w GP	600	600	210	450	80	304	YES	M600P600GE
M600600300SSE	Wallmount StSt304 IP66 door	600	600	300	-	-	304	NO	M600P600GE
M600600300GSSE	Wallmount StSt304 IP66 door w GP	600	600	300	450	170	304	YES	M600P600GE
M600600350GSSE	Wallmount StSt304 IP66 door w GP	600	600	350	450	170	304	YES	M600P600GE
M700500250GSSE	Wallmount StSt304 IP66 door w GP	700	500	250	370	120	304	YES	M700P500GE
M800600210SSE	Wallmount StSt304 IP66 door	800	600	210	-	-	304	NO	M800P600GE
M800600210GSSE	Wallmount StSt304 IP66 door w GP	800	600	210	450	80	304	YES	M800P600GE
M800600250GSSE	Wallmount StSt304 IP66 door w GP	800	600	250	450	120	304	YES	M800P600GE
M800600300SSE	Wallmount StSt304 IP66 door	800	600	300	-	-	304	NO	M800P600GE
M800600300GSSE	Wallmount StSt304 IP66 door w GP	800	600	300	450	170	304	YES	M800P600GE
M800600350GSSE	Wallmount StSt304 IP66 door w GP	800	600	350	450	170	304	YES	M800P600GE
M800800210GSSE	Wallmount StSt304 IP66 door w GP	800	800	210	450	80	304	YES	M800P800GE
M800800300GSSE	Wallmount StSt304 IP66 door w GP	800	800	300	450	170	304	YES	M800P800GE
M1000800300SSE	Wallmount StSt304 IP66 door	1000	800	300	-	-	304	NO	M1000P800GE
M1000800300GSSE	Wallmount StSt304 IP66 door w GP	1000	800	300	450	170	304	YES	M1000P800GE
M1200800300GSSE	Wallmount StSt304 IP66 door w GP	1200	800	300	450	170	304	YES	M1200P800GE



Specific size drawings available on request.

STANDARD PRODUCT, STAINLESS STEEL 316L

Item number	Description	H [mm]	W [mm]	D [mm]	Q [mm]	P [mm]	Material	Gland Plate	Conductive Mounting Panel
M300200150SS6E	Wallmount StSt316L IP66 door	300	200	150	-	-	316L	NO	M300P200GE
M400300150SS6E	Wallmount StSt316L IP66 door	400	300	150	-	-	316L	NO	M400P300GE
M400300210GSS6E	Wallmount StSt316L IP66 door w GP	400	300	210	170	80	316L	YES	M400P300GE
M400400210SS6E	Wallmount StSt316L IP66 door	400	400	210	-	-	316L	NO	M400P400GE
M400400210GSS6E	Wallmount StSt316L IP66 door w GP	400	400	210	270	80	316L	YES	M400P400GE
M400600210SS6E	Wallmount StSt316L IP66 door	400	600	210	-	-	316L	NO	M600P400GE
M500400210SS6E	Wallmount StSt316L IP66 door	500	400	210	-	-	316L	NO	M500P400GE
M500400210GSS6E	Wallmount StSt316L IP66 door w GP	500	400	210	270	80	316L	YES	M500P400GE
M500500210GSS6E	Wallmount StSt316L IP66 door w GP	500	500	210	370	80	316L	YES	M500P500GE
M600400210SS6E	Wallmount StSt316L IP66 door	600	400	210	-	-	316L	NO	M600P400GE
M600400210GSS6E	Wallmount StSt316L IP66 door w GP	600	400	210	270	80	316L	YES	M600P400GE
M600600210SS6E	Wallmount StSt316L IP66 door	600	600	210	-	-	316L	NO	M600P600GE
M600600210GSS6E	Wallmount StSt316L IP66 door w GP	600	600	210	450	80	316L	YES	M600P600GE
M600600300SS6E	Wallmount StSt316L IP66 door	600	600	300	-	-	316L	NO	M600P600GE
M600600300GSS6E	Wallmount StSt316L IP66 door w GP	600	600	300	450	170	316L	YES	M600P600GE
M800600210SS6E	Wallmount StSt316L IP66 door	800	600	210	-	-	316L	NO	M800P600GE
M800600210GSS6E	Wallmount StSt316L IP66 door w GP	800	600	210	450	80	316L	YES	M800P600GE
M800600300SS6E	Wallmount StSt316L IP66 door	800	600	300	-	-	316L	NO	M800P600GE
M800600300GSS6E	Wallmount StSt316L IP66 door w GP	800	600	300	450	170	316L	YES	M800P600GE
M800800300GSS6E	Wallmount StSt316L IP66 door w GP	800	800	300	450	170	316L	YES	M800P800GE
M1000800300SS6E	Wallmount StSt316L IP66 door	1000	800	300	-	-	316L	NO	M1000P800GE
M1000800300GSS6E	Wallmount StSt316L IP66 door w GP	1000	800	300	450	170	316L	YES	M1000P800GE
M1200800300GSS6E	Wallmount StSt316L IP66 door w GP	1200	800	300	450	170	316L	YES	M1200P800GE

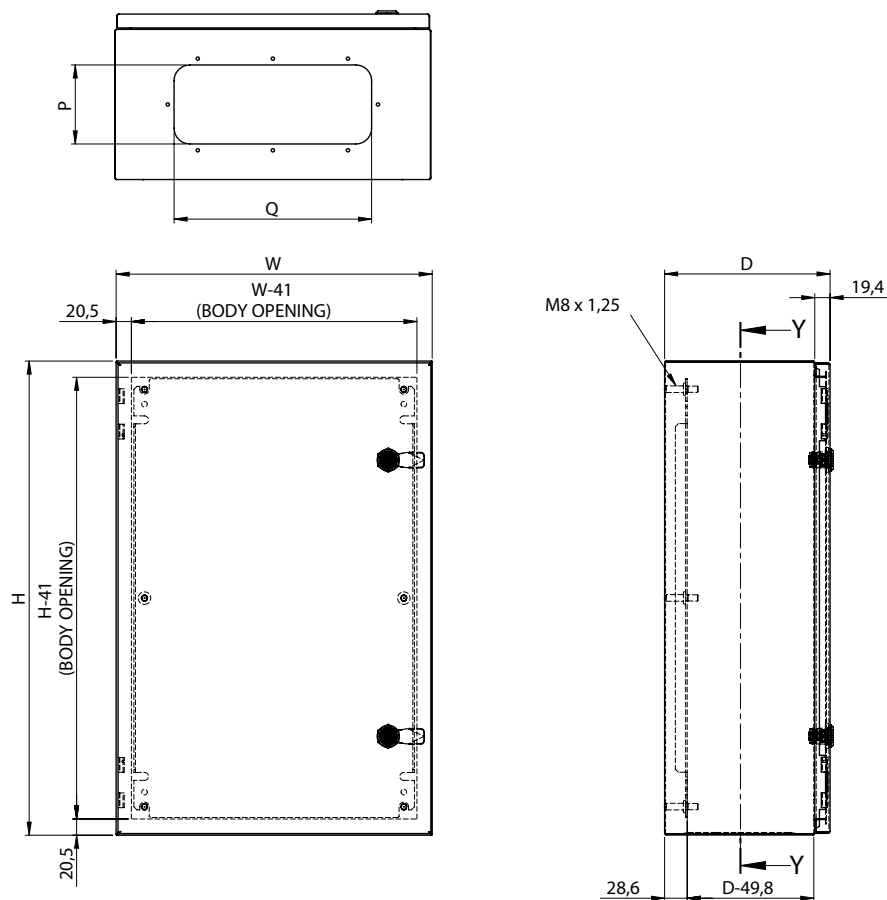


Specific size drawings available on request.

DESIGN YOUR STANDARD

With our option "Design Your Standard" order non standard enclosures suiting to your requirements.

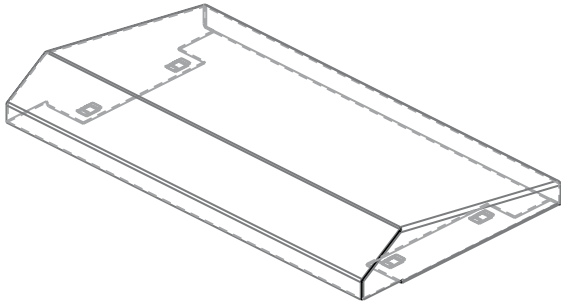
Item number	Description	H [mm]	W [mm]	D [mm]	Q [mm]	P [mm]	Material	Gland Plate	Conductive Mounting Panel
M10001000300SSE	Wallmount StSt304 IP66 door	1000	1000	300	-	-	304	on request	M10001000GE
M10001200300SSE	Wallmount StSt304 IP66 door	1000	1200	300	-	-	304	on request	M12001000GE
M12001000300SSE	Wallmount StSt304 IP66 door	1200	1000	300	-	-	304	on request	M12001000GE
M1200800400SSE	Wallmount StSt304 IP66 door	1200	800	400	-	-	304	on request	M1200800GE
M1400800400SSE	Wallmount StSt304 IP66 door	1400	800	400	-	-	304	on request	M1400800GE
M14001200400SSE	Wallmount StSt304 IP66 door	1400	1200	400	-	-	304	on request	M14001200GE
M10001000300SS6E	Wallmount StSt316L IP66 door	1000	1000	300	-	-	316L	on request	M10001000GE
M10001200300SS6E	Wallmount StSt316L IP66 door	1000	1200	300	-	-	316L	on request	M12001000GE
M12001000300SS6E	Wallmount StSt316L IP66 door	1200	1000	300	-	-	316L	on request	M12001000GE
M1200800400SS6E	Wallmount StSt316L IP66 door	1200	800	400	-	-	316L	on request	M1200800GE
M1400800400SS6E	Wallmount StSt316L IP66 door	1400	800	400	-	-	316L	on request	M1400800GE



Specific size drawings available on request.
Soon available as a standard product

ACCESSORIES

TOP SUN SHIELD



Top sun shield can be mounted at the top of the body after drilling holes in enclosure. Mounting hardware included.

Size WxD [mm]	Item no. SS304	Item no. SS316
150x120	M150120TSS	M150120TSS6
200x120	M200120TSS	M200120TSS6
200x150	M200150TSS	M200150TSS6
250x150	M250150TSS	M250150TSS6
250x210	M250210TSS	M250210TSS6
300x120	M300120TSS	M300120TSS6
300x150	M300150TSS	M300150TSS6
300x210	M300210TSS	M300210TSS6
400x120	M400120TSS	M400120TSS6
400x210	M400210TSS	M400210TSS6
400x350	M400350TSS	M400350TSS6
500x210	M500210TSS	M500210TSS6
500x250	M500250TSS	M500250TSS6
500x300	M500300TSS	M500300TSS6
600x210	M600210TSS	M600210TSS6
600x250	M600250TSS	M600250TSS6
600x300	M600300TSS	M600300TSS6
600x350	M600350TSS	M600350TSS6
800x210	M800210TSS	M800210TSS6

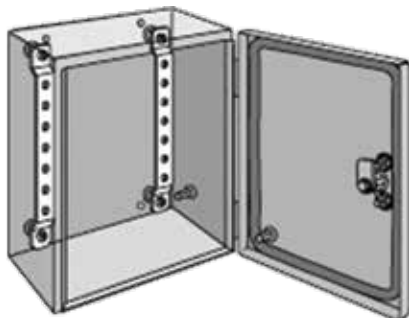
MOUNTING PLATE



Please purchase panels separately. Mounting panels are conductive 2,0mm or 2,5mm (depending from size) steel. Mounted on M8x1,25 collar studs. Mounting hardware delivered with GL66 enclosure hardware kit.

Item number	Description	A	B
M300P150GE	MPL for GL66 HC size 300x150mm	255	105
M300P200GE	MPL for GL66 HC size 300x200mm	255	155
M300P250GE	MPL for GL66 HC size 300x250mm	255	205
M300P300GE	MPL for GL66 HC size 300x300mm	255	255
M350P300GE	MPL for GL66 HC size 350x300mm	305	255
M400P300GE	MPL for GL66 HC size 400x300mm	355	255
M400P400GE	MPL for GL66 HC size 400x400mm	355	355
M500P400GE	MPL for GL66 HC size 500x400mm	455	355
M500P500GE	MPL for GL66 HC size 500x500mm	455	455
M600P400GE	MPL for GL66 HC size 600x400mm	555	355
M600P600GE	MPL for GL66 HC size 600x600mm	555	555
M700P500GE	MPL for GL66 HC size 700x500mm	655	455
M800P600GE	MPL for GL66 HC size 800x600mm	755	555
M800P800GE	MPL for GL66 HC size 800x800mm	755	755
M1000P800GE	MPL for GL66 HC size 1000x800mm	955	755
M1000P1000GE	MPL for GL66 HC size 1000x1000mm	955	955
M1200P800GE	MPL for GL66 HC size 1200x800mm	1155	755
M1200P1000GE	MPL for GL66 HC size 1200x1000mm	1155	955
M1400P800GE	MPL for GL66 HC size 1200x800mm	1355	755
M1400P1000GE	MPL for GL66 HC size 1400x1200mm	1355	1155

DIN RAIL MOUNTING KIT



Item no.	Description	H or W of enclosure [mm]
MMK15E	DIN moun.brackets for GL66 hinged	150
MMK20E	DIN moun.brackets for GL66 hinged	200
MMK25E	DIN moun.brackets for GL66 hinged	250
MMK30E	DIN moun.brackets for GL66 hinged	300
MMK35E	DIN moun.brackets for GL66 hinged	350
MMK40E	DIN moun.brackets for GL66 hinged	400
MMK50E	DIN moun.brackets for GL66 hinged	500
MMK60E	DIN moun.brackets for GL66 hinged	600
MMK70E	DIN moun.brackets for GL66 hinged	700
MMK80E	DIN moun.brackets for GL66 hinged	800
MMK100E	DIN moun.brackets for GL66 hinged	1000
MMK120E	DIN moun.brackets for GL66 hinged	1200

ACCESSORIES

DATA POCKET



Item no.	Description
ADP1	Self adhesive data pocket small
ADP2	Self adhesive data pocket large

Data Pockets provide convenient storage for wiring diagrams, operation manuals and other documentation inside an enclosure. Constructed of high-impact thermoplastic, pockets are dark gray and have cutout areas for easy access and visibility to contents.

DOOR STOP KIT



Item no.	Description
ADSTOPK	Steel door stop kit
ADSTOPKSS6	StSt316 door stop kit

Enclosures must have a "W" dimension of 400 mm or more. Door Stop Kit can be mounted at the top or bottom of the door opening after drilling two small holes in the body of the enclosure and two small holes in the door. The angle of the door is easily adjusted by means of a wingnut, and the stop arm slides neatly out of the way when the door is closed.

WALL-MOUNTING BRACKETS



Item no.	Description
CMFK	Galvanized w.m. brackets for GL66 HC
CMFKSS	SS304 w.m. brackets for GL66 HC

Mounting-Bracket Kits are field-installable. Stainless steel brackets are rated to Type 4X. Set of four brackets can support 220 kg maximum load. All hardware is included. Four brackets per kit.

LOCK INSERTS



Item no.	Description
MKSM7SS	StSt304 square 7 mm
MKSM7SS6	StSt316 square 7 mm
MKT8SS	StSt304 triangle 8 mm
MKT8SS6	StSt316 triangle 8 mm
MKDB5SS	StSt304 double bit 5 mm
MKDB5SS6	StSt316 double bit 5 mm

Lock inserts are field-installable. Stainless steel material and different key locking systems provides maximum protection for your equipment.



FOR MORE INFORMATION AND TO CONTACT US, GO TO: WWW.PENTAIRPROTECT.COM



EUROPE

Straubenhardt, Germany
Tel: +49.7082.794.0

Betschdorf, France
Tel: +33.3.88.90.64.90

Warsaw, Poland
Tel: +48.22.60.70.616

Hemel Hempstead,
Great Britain
Tel: +44.1442.24.04.71

Lainate, Italy
Tel: +39.02.932.714.1

Moscow, Russia
Tel: +7.495.926.18.85

NORTH AMERICA

Minneapolis, MN
Tel: +1.763.421.2240

Radford, VA
Tel: +1.540.639.4440

Mexico, D.F.
Tel: +52.55.5280.1449

Toronto, Canada
Tel: +1.416.289.2770

MIDDLE EAST & INDIA

Dubai, United Arabian Emirates
Tel: +971.4.37.81.700

Istanbul, Turkey
Tel: +90.216.250.7374

Bangalore, India
Tel: +91.80.6715.2001

ASIA

Shanghai, P.R. China
Tel: +86.21.2412.1688

Singapore
Tel: +65.6768.5800

Shin-Yokohama, Japan
Tel: +81.45.476.0271

Langenalber Str. 96-100, D-75334 Straubenhardt

Pentair, Hoffman and Design with Confidence are owned by Pentair or its global affiliates. All other trademarks are the property of their respective owners.

X-ON Electronics

Largest Supplier of Electrical and Electronic Components

Click to view similar products for [hoffman manufacturer](#):

Other Similar products are found below :

[A-1412CHQR](#) [CSD201610](#) [CSD20168SS](#) [CSD20206](#) [CSD20208SS](#) [CSD24168](#) [CSD36248](#) [CSD36308](#) [PCU7](#) [PT126](#) [A1008CHNFSS](#)
[A10106CH](#) [A10106CHFL](#) [A10106PHCW](#) [A1066JFGQRR](#) [A1210CHNF](#) [A1212SC](#) [A1412CHNFSS](#) [A161208LP](#) [A161410CH](#) [A16H12ALP](#)
[A16P14](#) [A16P16G](#) [A18P16AL](#) [A20H16BLP](#) [A20P16](#) [A24H2408SSLP](#) [Q13138PCE](#) [A404CH](#) [A606CHNF](#) [A606NF](#) [A806SC](#) [A845JFGR](#)
[A864CHQRFGW](#) [A90P36F1](#) [HJ1412HWPL2LG](#) [HJ1816HWPL2LG](#) [RHJ1210HWPL2LG](#) [AS125SS](#) [ASE10X10X4](#) [ASE12X12X4](#) [E1PBG](#)
[E2PBG](#) [E3PB](#) [LED24V15](#) [LF230VD](#) [A10106PHC](#) [A10P8SS](#) [A1210CHEMC](#) [A1210CHFL](#)