




| | |
|--------------------|----------------------------|
| DATA SHEET | 5550 6905 |
| SILVYN® FCL | valid from : 27.04.2016 |

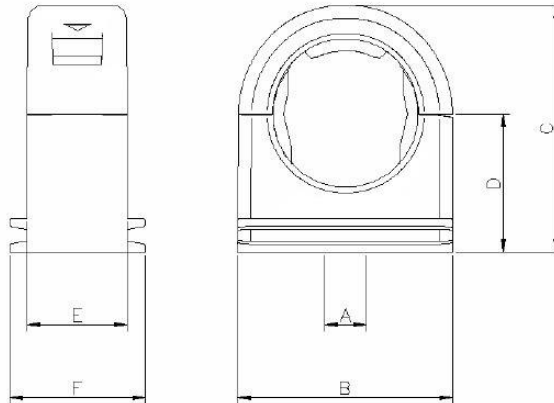
SILVYN® FCL is a one part conduit holder with integrated lid made of polyamide. The conduit holder serve for fixing for flexible coarse and fine pitch conduits and an internal rib secures the conduit from pulling through ensuring a neat installation. Can be removed using a screwdriver if required.



- Material:** PA 66
- Features:** Fast assembly
Anti-vibration
Suitable for fine and coarse conduits
High mechanical strength
High pull off and pull through strength
- Temperature range:** -50°C up to +135°C
- Color:** Grey
Black (UV-Resistant)
- Norm Reference:** 
- Note:** Free of Halogen, Sulphur and Phosphorous

For more information please see our current catalogue.
Please do not hesitate to contact our laboratory if there any questions regarding resistance against aggressive agents and special oil.

| | |
|--------------------|----------------------------|
| DATA SHEET | 5550 6905 |
| SILVYN® FCL | valid from : 27.04.2016 |



Dimension table

| Part No. | Part name | NW | Screw Ø A mm | Wide B mm | High C mm | High D mm | Wide E mm | Wide F mm | Pull off N | Pull through N |
|--------------|------------------|----|--------------------|-----------------|-----------------|-----------------|-----------------|-----------------|---------------|----------------------|
| Grey | | | | | | | | | | |
| 5550 6900 | SILVYN FCL 10 GY | 10 | M5 | 23 | 26 | 15 | 12 | 20 | 450 | 100 |
| 5550 6910 | SILVYN FCL 13 GY | 13 | M5 | 23 | 26 | 15 | 12 | 20 | 450 | 100 |
| 5550 6920 | SILVYN FCL 16 GY | 16 | M5 | 26 | 30 | 17 | 12 | 20 | 500 | 100 |
| 5550 6980 | SILVYN FCL 18 GY | 18 | M6 | 32 | 36 | 20 | 15 | 20 | 600 | 200 |
| 5550 7400 | SILVYN FCL 20 GY | 20 | M6 | 32 | 36 | 20 | 15 | 20 | 600 | 200 |
| 5550 6930 | SILVYN FCL 21 GY | 21 | M6 | 32 | 36 | 20 | 15 | 20 | 600 | 200 |
| 5550 7410 | SILVYN FCL 25 GY | 25 | M6 | 41 | 45 | 24 | 15 | 20 | 700 | 350 |
| 5550 6940 | SILVYN FCL 28 GY | 28 | M6 | 41 | 45 | 24 | 15 | 20 | 700 | 350 |
| 5550 6950 | SILVYN FCL 34 GY | 34 | M6 | 84 | 51 | 27 | 15 | 20 | 800 | 500 |
| 5550 6960 | SILVYN FCL 42 GY | 42 | M6 | 57 | 60 | 31 | 15 | 20 | 1000 | 500 |
| 5550 6970 | SILVYN FCL 54 GY | 54 | M6 | 70 | 72 | 37 | 15 | 20 | 1200 | 500 |
| Black | | | | | | | | | | |
| 5550 6905 | SILVYN FCL 10 BK | 10 | M5 | 23 | 26 | 15 | 12 | 20 | 450 | 100 |
| 5550 6915 | SILVYN FCL 13 BK | 13 | M5 | 23 | 26 | 15 | 12 | 20 | 450 | 100 |
| 5550 6925 | SILVYN FCL 16 BK | 16 | M5 | 26 | 30 | 17 | 12 | 20 | 500 | 100 |
| 5550 6985 | SILVYN FCL 18 BK | 18 | M6 | 32 | 36 | 20 | 15 | 20 | 600 | 200 |
| 5550 7405 | SILVYN FCL 20 BK | 20 | M6 | 32 | 36 | 20 | 15 | 20 | 600 | 200 |
| 5550 6935 | SILVYN FCL 21 BK | 21 | M6 | 32 | 36 | 20 | 15 | 20 | 600 | 200 |
| 5550 7415 | SILVYN FCL 25 BK | 25 | M6 | 41 | 45 | 24 | 15 | 20 | 700 | 350 |
| 5550 6945 | SILVYN FCL 28 BK | 28 | M6 | 41 | 45 | 24 | 15 | 20 | 700 | 350 |
| 5550 6955 | SILVYN FCL 34 BK | 34 | M6 | 84 | 51 | 27 | 15 | 20 | 800 | 500 |
| 5550 6965 | SILVYN FCL 42 BK | 42 | M6 | 57 | 60 | 31 | 15 | 20 | 1000 | 500 |
| 5550 6975 | SILVYN FCL 54 BK | 54 | M6 | 70 | 72 | 37 | 15 | 20 | 1200 | 500 |

X-ON Electronics

Largest Supplier of Electrical and Electronic Components

Click to view similar products for [Conduit Fittings & Accessories](#) category:

Click to view products by [Lapp Kabel](#) manufacturer:

Other Similar products are found below :

[S53.35A](#) [260-416](#) [DM0240-1/2A](#) [817.612.0](#) [55506625](#) [1.511.2001.50](#) [1.533.1601.50](#) [1.533.2001.50](#) [52005810](#) [817.716.0](#) [712.015.0](#) [216-420](#) [2276](#) [2663-P](#) [C2070-P](#) [3582V](#) [2643-P](#) [4975](#) [2644-P](#) [90480](#) [2404-P](#) [1047561](#) [2723-P](#) [55506355](#) [1.513.1101.14](#) [55502461](#) [55502462](#) [55502463](#) [55502464](#) [55502473](#) [166-22214](#) [166-22215](#) [166-24800](#) [166-25801](#) [166-30318](#) [SHR-C1](#) [2037 12-20 LGR](#) [2037 16-24 LGR](#) [HP50SS](#) [55502470](#) [SH PA6 BL ND10](#) [5308 946](#) [295.012.0](#) [2955 M16](#) [2955 M25](#) [2955 M32](#) [2955 M40](#) [297.212.0](#) [297.240.0](#) [298.012.0](#)