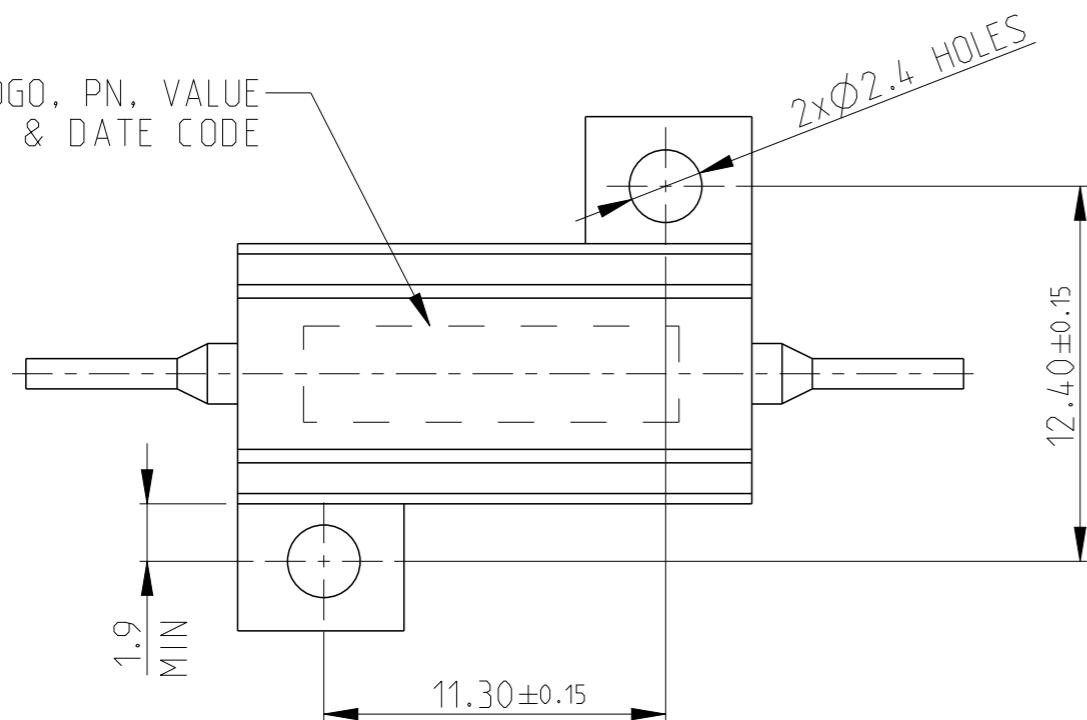


LOC	DIST
E	B

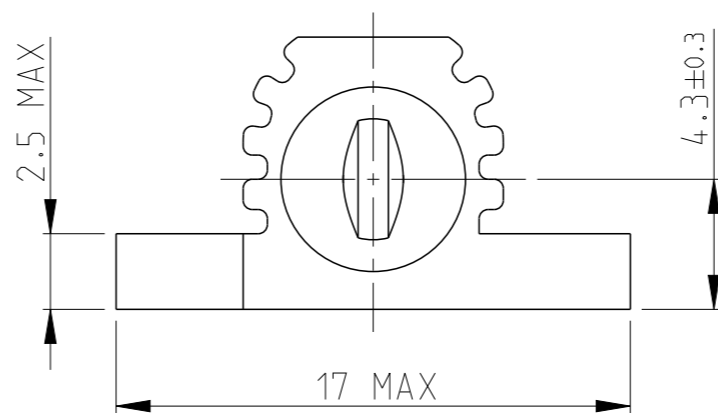
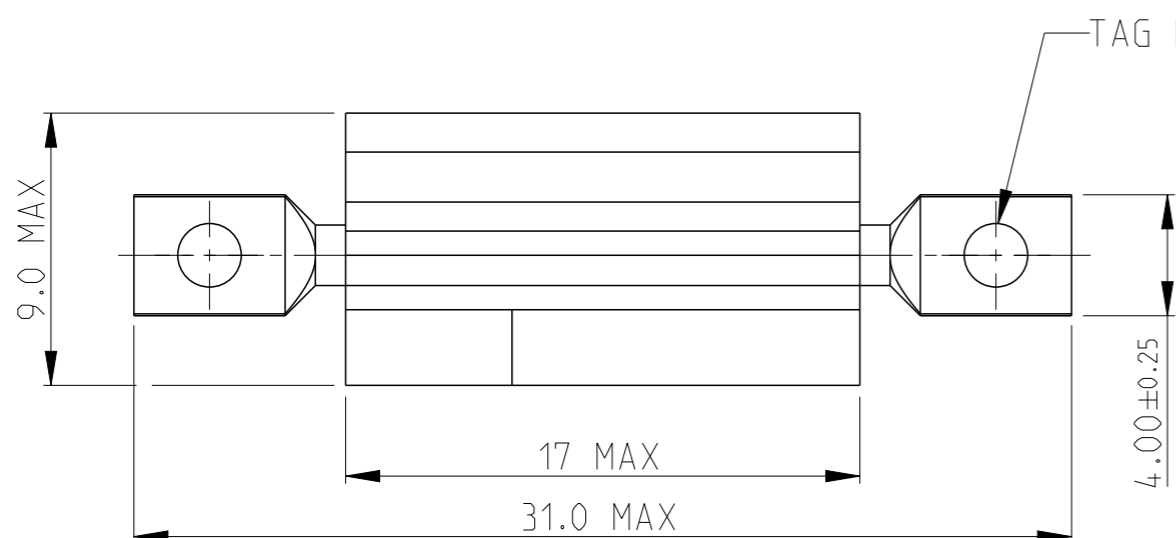
REVISIONS					
P	LTR	DESCRIPTION	DATE	DWN	APVD
B2		Released as per ECR-09-006012	16-MAR-09	SP	JC
B3		ECR-13-007945	14MAY2013	KR	TN

TE LOGO, PN, VALUE  
TOLERANCE & DATE CODE

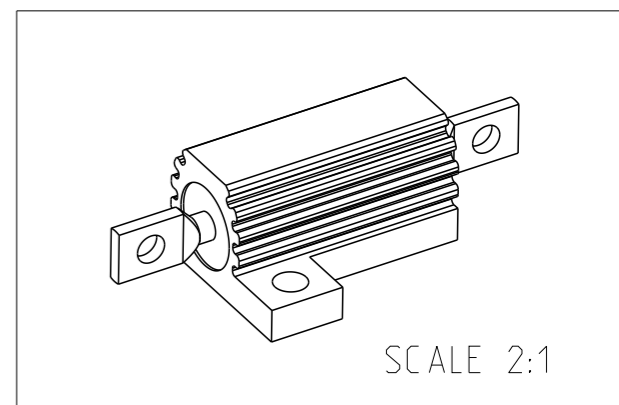



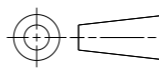
- FOR FURTHER INFORMATION SEE DATA SHEET FOR HS SERIES-ALUMINIUM HOUSED RESISTORS
- FOR A SPECIFIC PN FOR A RESISTANCE VALUE AND TOLERANCE, PLEASE REFER TO DMF
- TECHNICAL SPECIFICATION

DISSIPATION AT 25°C : 10 WATTS MOUNTED ON STD HEATSINK  
 BS OHMIC RANGE : R051 TO 7KS  
 STABILITY : ΔR < =1% PER 1000Hrs  
 ISOLATION VOLTAGE : 1400V DC/AC pk  
 MAX WORKING VOLTAGE : 150V DC/AC rms  
 TEMP COEFFICIENT : > 1R0 50ppm  
 > 100R 25ppm  
 CLIMATIC CATEGORY : 55/200/56



RoHS Compliant



THIS DRAWING IS A CONTROLLED DOCUMENT.		DWN D KENNEDY 07.NOV.05	 TE Connectivity		
DIMENSIONS: mm		CHK J CATCHPOLE 07.NOV.05			
		APVD J CATCHPOLE 07.NOV.05	NAME HSA 5 METAL CLAD RESISTOR		
TOLERANCES UNLESS OTHERWISE SPECIFIED:		PRODUCT SPEC	-		
0 PLC ±0.5		APPLICATION SPEC	-		
1 PLC ±0.2		WEIGHT	-		
2 PLC ±0.1		Customer Drawing	SIZE A3	CAGE CODE 00779	DRAWING NO C=1625963
3 PLC ±		SCALE 4:1	SHEET 1 OF 1		RESTRICTED TO -
4 PLC ±					REV B3
ANGLES ±5°					
FINISH -					

## X-ON Electronics

Largest Supplier of Electrical and Electronic Components

*Click to view similar products for [Wirewound Resistors - Chassis Mount](#) category:*

*Click to view products by [TE Connectivity](#) manufacturer:*

Other Similar products are found below :

[HD300HLR71J](#) [VK100NA-50](#) [40/70MJ2K00BE](#) [L75J1K0E](#) [VK100NA250](#) [L100J150E-MT1](#) [L50J500E-MT1](#) [SL130J100K-12](#)  
[HSC1004R0F](#) [F30J20R](#) [HSC1008R0F](#) [HSX25R22J](#) [L100J40K](#) [CL65J10R](#) [HSW600 47R J](#) [HSW600 1R J](#) [L12NJ20R](#) [75342-400](#) [HSW600](#)  
[22R J](#) [VRH320 1K K](#) [VRH320 100R K](#) [968.15 110M C E](#) [HSW600 4R7 J](#) [40/70MJ230R0HE](#) [1-2176247-6](#) [1-2176248-5](#) [C1500K12R](#)  
[FST02515E50R00KEE3](#) [AG5NFR68E](#) [AG12NFR68E](#) [AG12NFR47E](#) [AG12NFR56E](#) [AG12NFR33E](#) [CL25J39R](#) [AG12NFR22E](#) [850J220E](#)  
[AG12NFR10E](#) [CL225J30K](#) [810F7R7E](#) [LN100J75RE](#) [D50K100-B](#) [L225J6K0E](#) [21025K538-5R0KE](#) [LN80J30R](#) [C300KR75E](#) [D50K25R-B](#)  
[LN80J14R](#) [L50JR60E](#) [L100J400E](#) [LN50J7K5](#)