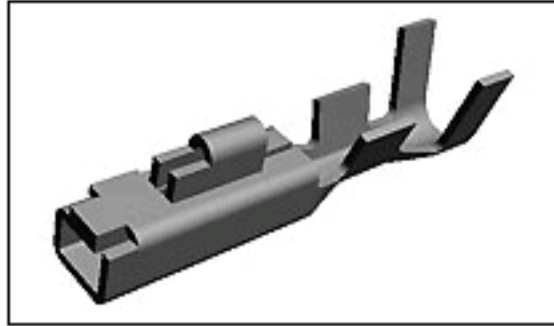




175151-1 Product Details

[Share](#) [Print](#) [Email](#)


175151-1

TE Internal Number: 175151-1

Active

View 3D PDF

3.5, 3.96 & 6.2 Centerline 600 V, 12 A max.

Always EU RoHS/ELV Compliant ([Statement of Compliance](#))

Product Highlights:

- Contact
- Contact Type = Socket
- Copper Alloy Contact Base Material
- Tin Contact Plating, Mating Area, Material
- Packaging Method = Strip

[View all Features](#)

Quick Links

- ▶ [Check Pricing & Availability](#)
- ▶ [Search for Tooling](#)
- ▶ [View Housings \(142\)](#)
- ▶ [Product Feature Selector](#)
- ▶ [Contact Us About This Product](#)

Add to My Part List Request Sample Find Similar Products Buy Product

Documentation & Additional Information

Product Drawings:

- [REC CONTACT AMP UNIVERSAL POWER CONN.](#) (PDF, English)

Catalog Pages/Data Sheets:

- None Available

Product Specifications:

- [AMP Universal Power Connector](#) (PDF, Japanese)

Application Specifications:

- [Crimping of Universal Power Contact](#) (PDF, English)
- [Crimping of Universal Power Contact](#) (TIF, Japanese)

Instruction Sheets:

- [Extraction Tool for UP\(913923-1\)](#) (PDF, English)
- [AMP UNIVERSAL POWER CONNECTOR SERIES](#) (PDF, English)
- [Hand Tool, PN 914181-1, Universal Power Contact \(Was...\)](#) (PDF, English)
- [Hand Tool, PN 914181-1, Universal Power Contact \(Was...\)](#) (TIF, Japanese)

CAD Files: ([CAD Format & Compression Information](#))

- [2D Drawing](#) (DXF, Version E)
- [3D Model](#) (IGES, Version E)
- [3D Model](#) (STEP, Version E)

Additional Information:

- [Product Line Information](#)

Related Products:

- [Tooling](#)
- [Housings \(142\)](#)

[List all Documents](#)

Product Features (Please use the Product Drawing for all design activity)

Product Type Features:

- Product Type = Contact
- Wire Insulation Diameter (mm [in]) = 1.20 - 2.01 [0.047 - 0.079]

Electrical Characteristics:

- Voltage (VAC) = 600
- Current Rating (A) = 12

Body Features:

- Wire Range (mm [AWG]) = 0.12-0.40² [26-22]

Contact Features:

- Contact Type = Socket
- Contact Base Material = Copper Alloy
- Contact Plating, Mating Area, Material = Tin

Housing Features:

- Mating Alignment = Without

Industry Standards:

- [RoHS/ELV Compliance](#) = RoHS compliant, ELV compliant
- [Lead Free Solder Processes](#) = Not relevant for lead free process
- RoHS/ELV Compliance History = Always was RoHS compliant

Conditions for Usage:

- Applies To = Wire/Cable

Packaging Features:

- Packaging Method = Strip

Other:

- Brand = AMP

Corporate Information

- [About TE](#)
- [Investors](#)
- [News Room](#)
- [Supplier Portal](#)
- [Careers](#)

Quick Links

- [Check Distributor Inventory](#)
- [Cross Reference Products](#)
- [Find Documents & Drawings](#)
- [Product Compliance Support Center](#)
- [Site Map](#)

Customer Support

- [Email or Chat With Us](#)
- [Find a Phone Number](#)
- [Search Knowledge Base](#)
- [Manage Your Account](#)

Keep Me Informed

Receive TE News, Events & Technology Updates

Enter your email address



X-ON Electronics

Largest Supplier of Electrical and Electronic Components

Click to view similar products for [Terminals](#) category:

Click to view products by [TE Connectivity](#) manufacturer:

Other Similar products are found below :

[HT-13-10](#) [71M-250-32-NB](#) [01-2065-1-0216](#) [00581P0075](#) [M10-10RX](#) [M10BCK](#) [60205-1](#) [604200-1](#) [60598-1-CUT-TAPE](#) [60617-1-C](#) [60873-1](#) [M14-516R/SK](#) [M14-6RSX](#) [M18-10FLX](#) [M18-8FBX](#) [M18-8R/LX](#) [M18BCK](#) [61314-6-C](#) [61-S](#) [61-SN-A](#) [62149-1](#) [62-NBM-A](#) [63-S](#) [640179-1](#) [640917-2-CUT-TAPE](#) [6501550002](#) [66107-2-C](#) [66107-4-C](#) [696683-1](#) [696834-1](#) [696861-1](#) [696931-1](#) [696999-1](#) [M8-516RK](#) [M86700006](#) [MA250DMFMX-A](#) [701-2007](#) [701-2307](#) [701-7761-03](#) [70F-110-32-PB](#) [718-N-A](#) [71M-187-20-NBL](#) [71M-250-32-NBL](#) [72F-187-20-NBL](#) [72M-250-32-NBL](#) [7310](#) [73F-250-32](#) [73F-250-32-NBL](#) [73F-250-32-NL](#) [F-1M](#)