

# PATLITE

## ■ HSST / 50mm



Manually operated 3-color LED tower kit operates from AC120V; with pushbutton control box and hardware for several mounting configurations. Ideal for call-centers, office communications and similar applications.

**SIZE:** 50mm diameter (tower)

**INPUT VOLTAGE** AC120V

**OPTIONS:**

**FUNCTIONS** Continuous only

**AVAILABLE:**

**MOUNTING OPTIONS:**

- Bracket clamp
- Wall mount
- Cubicle edge mount

**BODY STYLE:** Kit includes:

- 3-LED signal tower with 4 foot cable
- 120VAC power supply with 6 foot cord length
- 3 pushbutton style switch box with mounting screws
- 2 position mounting bracket with 2 adjustment screws
- 3 and 12-inch mounting poles

**BODY COLOR:** Beige

**TIERS:** Available only with 3-tier tower

**MODULE COLORS:**

- Light color: Red / Amber / Green
- Lens color: Clear or white; shows color when activated

**ALARMS (FB STYLE ONLY):** Not available

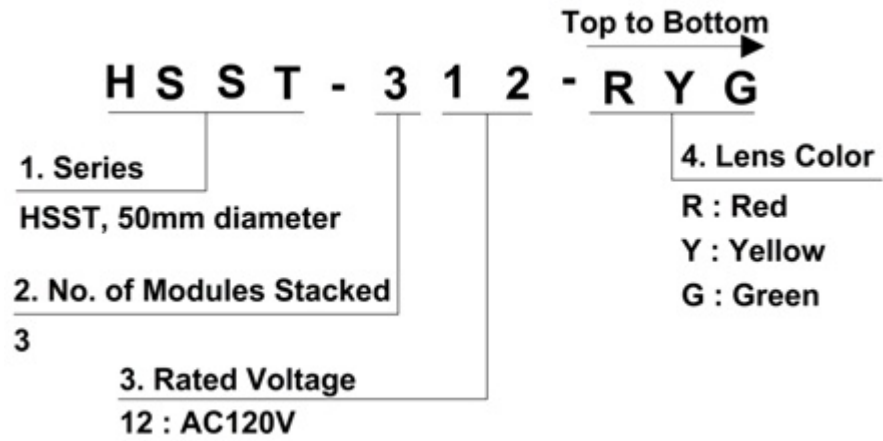
**RATINGS:** Power supply is UL Listed

**PROTECTION:** Not rated

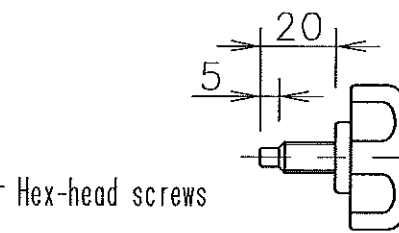
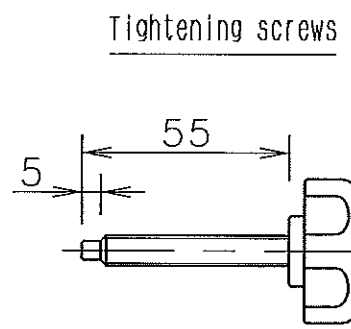
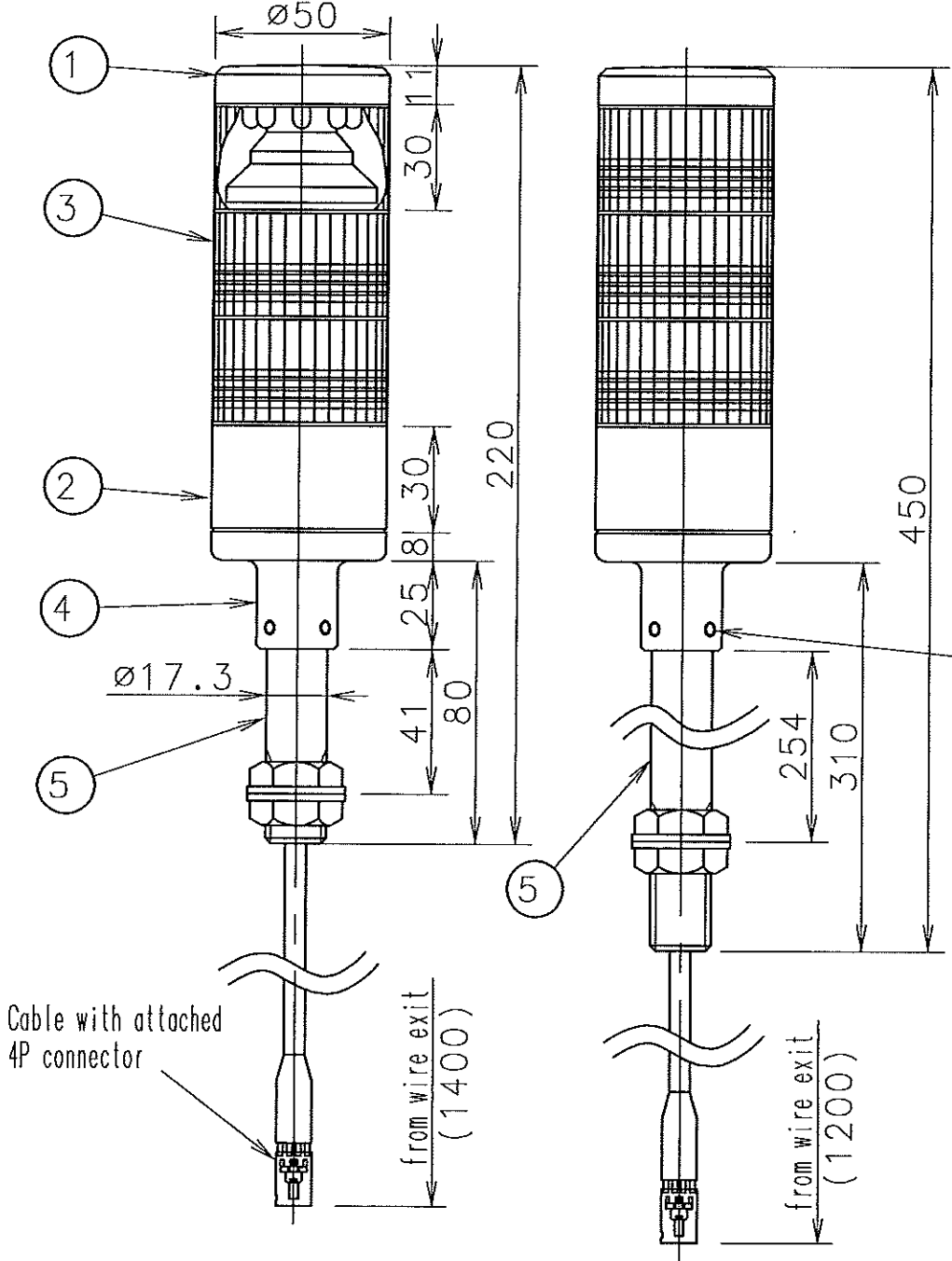
**CONTROL OPTIONS:**

- Detented pushbutton: press once to turn on, press again to turn off
- One pushbutton per color

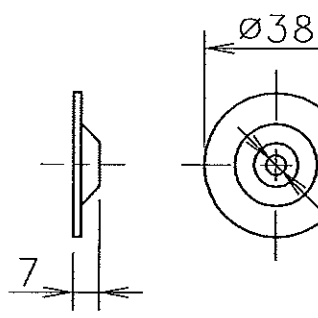
## PART NUMBER GUIDE



重量 WEIGHT  
g

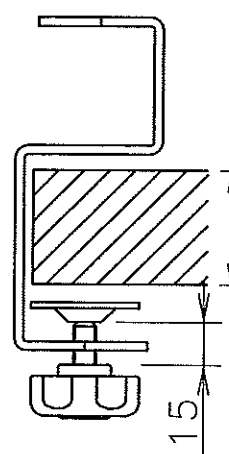


Fitting plate

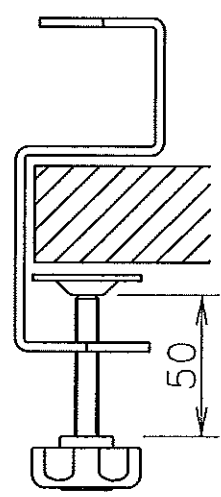


Cable with attached 4P connector

Panel widths



Panel widths  
48mm (1.9 inch)  
58mm (2.25 inch)



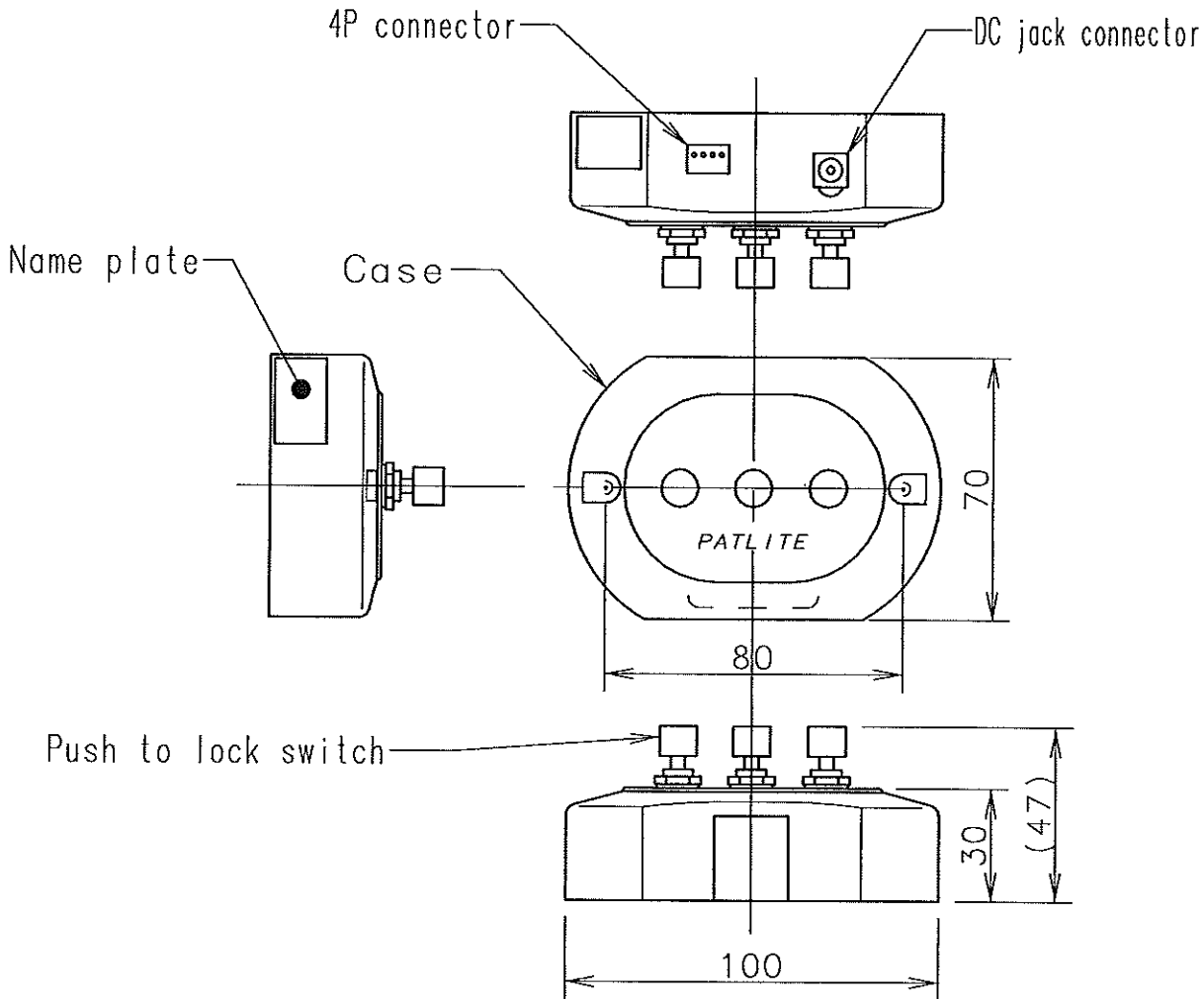
Panel widths  
13mm (0.5 inch)  
58mm (2.25 inch)

配布先	
三田製造	
八尾製造	
製技	
購買	
三田品管	
八尾品管	
技術	
合計	5

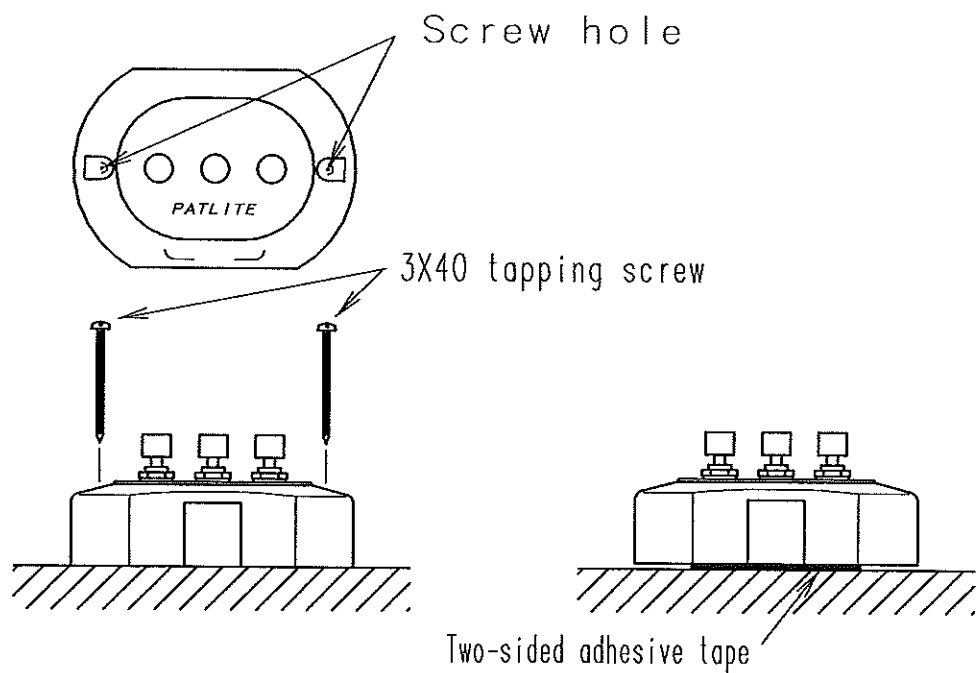


Switch box

重量 WEIGHT  
g




How to install the switch box



配布先	
三田製造	1
八尾製造	
製技	1
購買	1
三田品管	1
八尾品管	1
技術	
合計	5

# SPECIFICATIONS

MODEL	HSST-312			
RATED VOLTAGE	120V AC			
OPERATING VOLTAGE	108~132V DC			
POWER CONSUMPTION	3W (When all 3 lights are on)			
OPERATING TEMP RANGE	-15°C ~ +60°C			
MOUNTING DIRECTION	INDOOR: UPRIGHT ONLY			
INSULATION PROOF	To be measured by an insulation measuring device of 500VDC between the terminals and the chassis. MORE THAN 1MΩ (≥1MΩ)			
VOLTAGE PROOF	Being applied between the terminals and the chassis for 1 minute. 1000V AC 1 MINUTE			
EXTERNAL DIMENSIONS	SEE DRAWIN No. HSST-312-A00B-2/3, 3/3			
MASS	ABOUT 1.2kg			
DRAWING No. : HSST-312-A00B-1/3				
				
<b>PATLITE Corporation</b>		APP. BY	CHK. BY	DRN. BY
		T. Mekochi 21. APR. '99	T. Kawashima 21. APR. '99	M. Komagawa 16. APR. '99

## **X-ON Electronics**

Largest Supplier of Electrical and Electronic Components

*Click to view similar products for [patlite](#) manufacturer:*

Other Similar products are found below :

[LR4-BU](#) [LR5-02PJNW](#) [LR5-102WJBW-Y](#) [LR5-102WJNW-R](#) [LR6-E-B](#) [LR6-302PJNW-RYG](#) [NH-WST](#) [VSST-LR6-502LJBW-RYGBC](#)  
[LR5-02WTNU](#) [VSST-LR6-302LJBW-RYG](#) [VSST-LR6-302LJNW-RYG](#) [MPS-302-RYG](#) [LR5-102WJNW-G](#) [LR6-02LJNW](#) [LR6-302LJNW-](#)  
[RYG](#) [VSST-LR6-502LJNW-RYGBC](#) [LR4-302LJBW-RYG](#) [LR6-02PJNW](#) [LR7-02WTNU](#) [BDV-15JF-K](#) [BSV-24P-W](#) [SZK-001U](#) [SZ-50L](#)  
[LR4-02QJNW](#) [LR4-02WJNW](#) [LR5-E-R](#) [CLA3S-24-CD](#) [LU7-E-B](#)