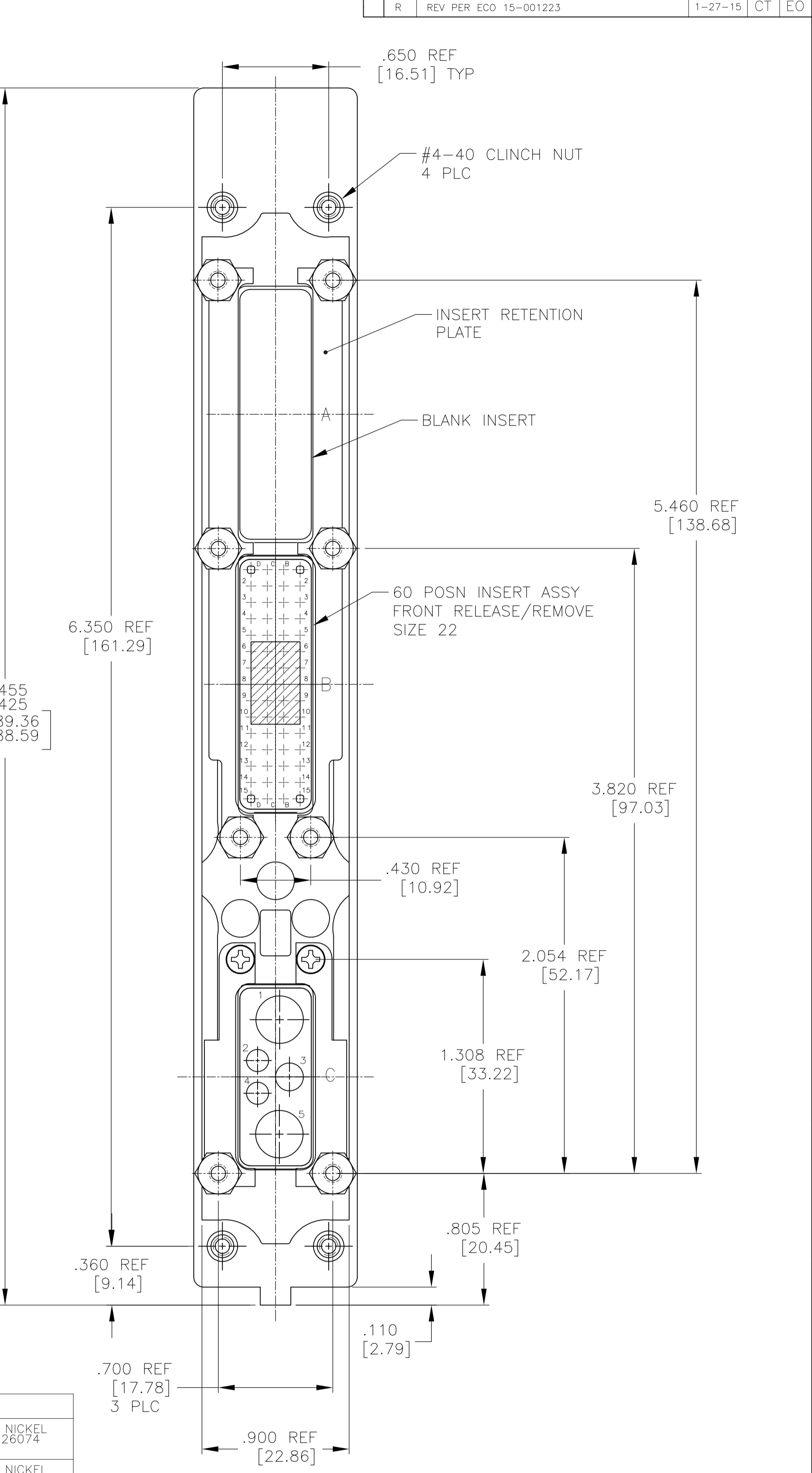
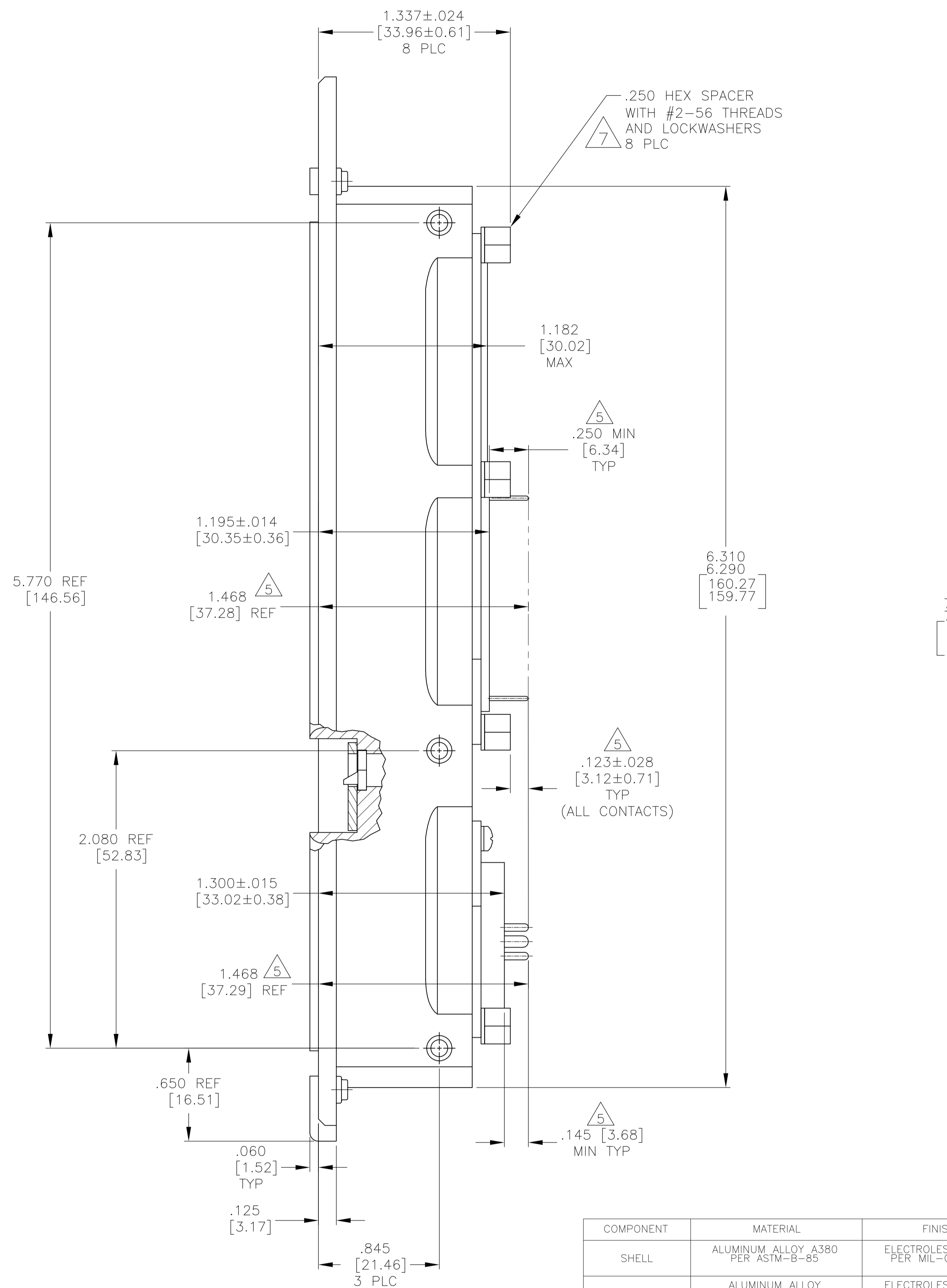
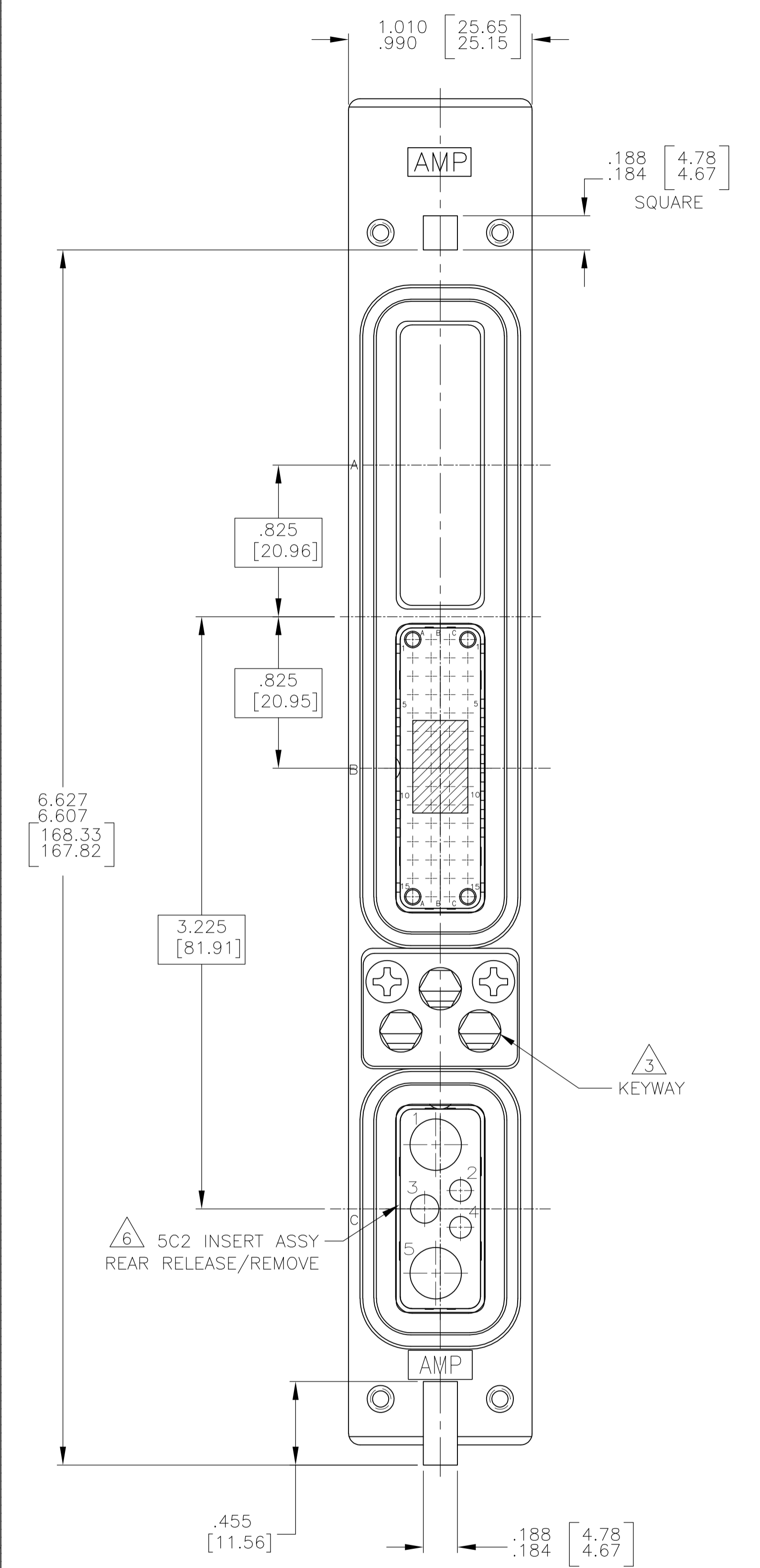


| LOC | DIST        | REVISIONS   |         |    |      |
|-----|-------------|-------------|---------|----|------|
| P   | LTR         | DESCRIPTION | DATE    | DN | APVD |
| R   | REV PER ECO | 15-001223   | 1-27-15 | CT | EO   |



- CONNECTOR DIMENSIONS ARE PER ARINC 600 SPECIFICATION
- CONTACTS NOT SHOWN IN FRONT & REAR VIEWS FOR CLARITY.
- KEYING SHOWN IN POSITION FOR REFERENCE ONLY. SEE TABLE FOR KEYING POSITION. FOR POSITION "00" KEYING SHIPPED UNASSEMBLED.
- INSTALLED CONTACT LOCATIONS:  
 CAVITY B: SIZE 22 POSTED; QTY=60 (P/N 211431-4) (-1 ONLY)  
 CAVITY C: SIZE 16 POSTED; QTY=2; POSITIONS 2 & 4; (P/N 1-1663128-0) (-1 ONLY)  
 SIZE 12 POSTED; QTY=1; POSITION 3; (P/N 1663129-8) (-1 ONLY)  
 CAVITY B: SIZE 22 POSTED; QTY=60 (P/N 211431-6) (-2 & -4 ONLY)  
 CAVITY C: SIZE 16 POSTED; QTY=2; POSITIONS 2 & 4; (P/N 1663128-5) (-2 & -4 ONLY)  
 SIZE 12 POSTED; QTY=1; POSITION 3; (P/N 1663129-5) (-2 & -4 ONLY)  
 SIZE 5 POSTED; QTY=2; POSITION 1 & 5; (P/N 1663535-1) (-2 & -4 ONLY) (FREELY ROTATES)

1757625-1  
AS SHOWN

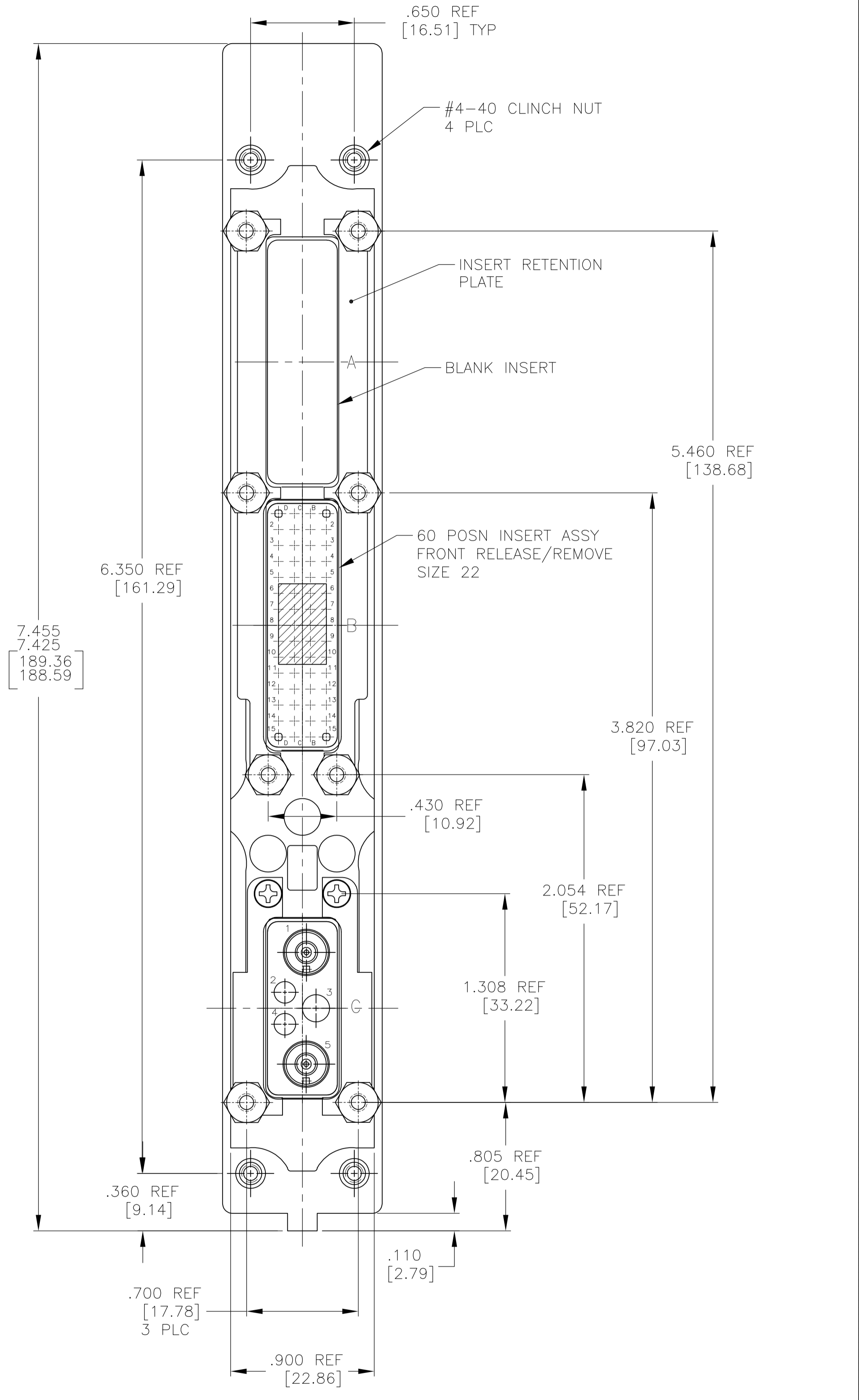
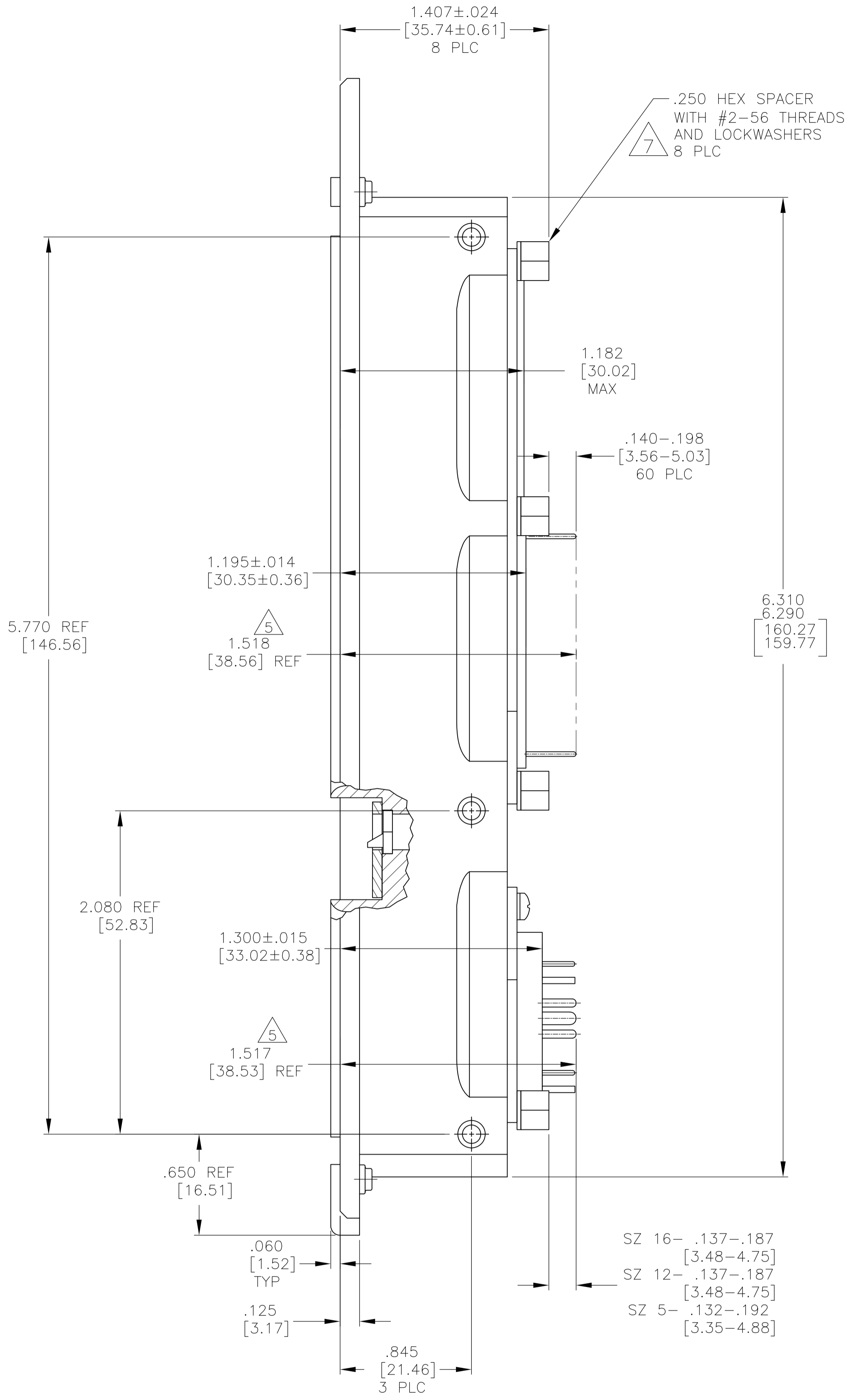
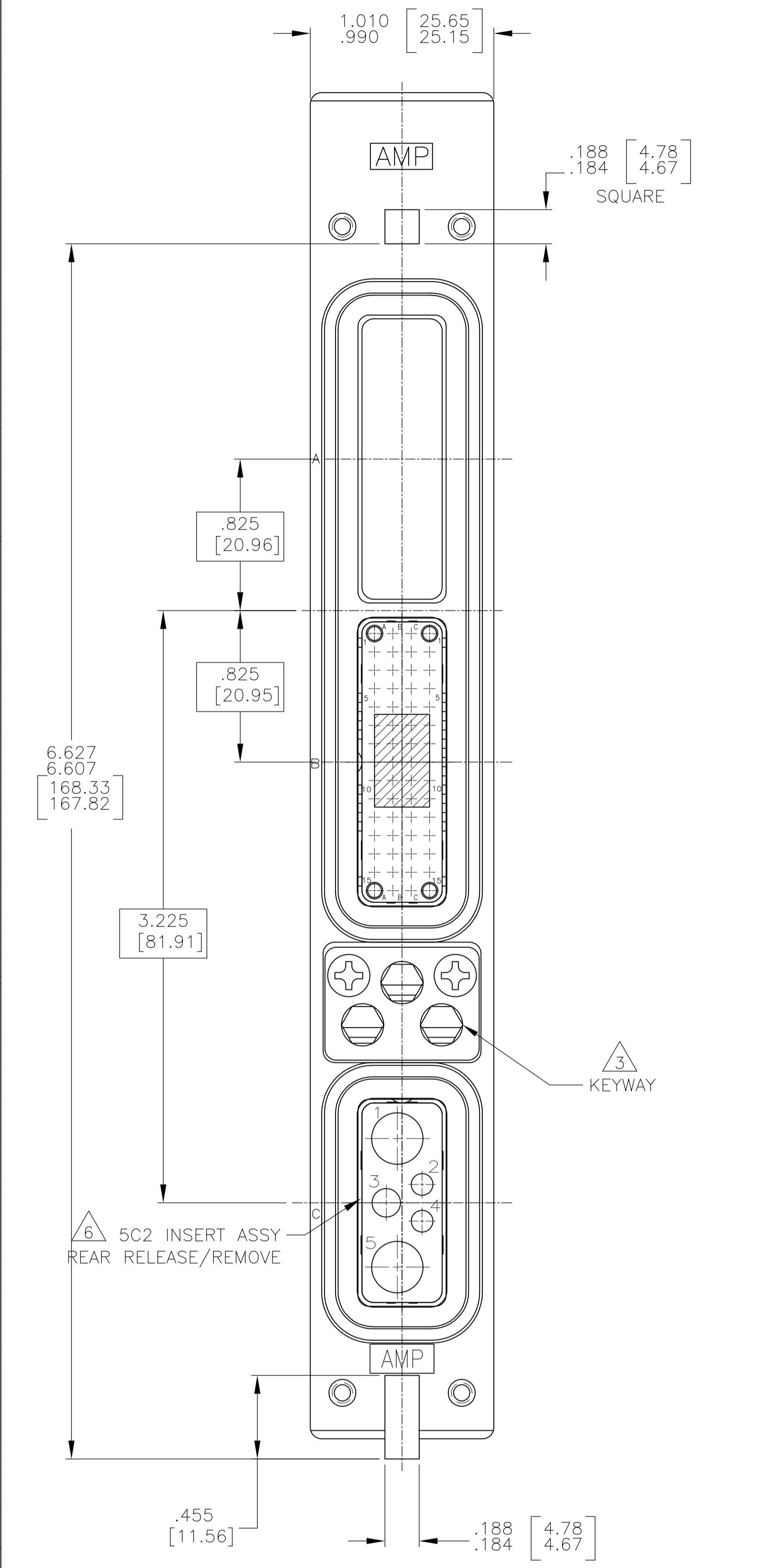
- 5** DIMENSION APPLIES WITH CONTACTS FULLY SEATED TO REAR OF CONTACT CAVITIES.
- 6** SIZE 5 CAVITIES ARE GROUNDED TO SHELL.
- 7** FASTENER TORQUE TO BE 1.5-2.0 in-lb.

| COMPONENT                              | MATERIAL                          | FINISH                             |
|--|-----------------------------------|------------------------------------|
| SHELL                                  | ALUMINUM ALLOY A380 PER ASTM-B-85 | ELECTROLESS NICKEL PER MIL-C-26074 |
| RETENTION PLATES                       | ALUMINUM ALLOY PER ASTM-B-209     | ELECTROLESS NICKEL PER MIL-C-26074 |
| PAN HEAD SCREWS AND LOCKWASHERS        | STAINLESS STEEL                   | PASSIVATED                         |
| FLAT HEAD SCREWS (FOR KEYING HARDWARE) | STAINLESS STEEL                   | PASSIVATED                         |
| POLARIZING KEYS                        | ZINC ALLOY PER ASTM-B-86          | -                                  |
| POLARIZING KEY RETAINING PLATE         | ALUMINUM ALLOY PER ASTM-B-209     | BLUE ANODIZED PER MIL-A-8625       |
| BLANK INSERT                           | TEFLON                            | -                                  |
| 60 & 5C2 INSERTS                       | THERMOSET                         | -                                  |
| STANDOFF                               | STAINLESS STEEL                   | PASSIVATED                         |

THIS DRAWING IS A CONTROLLED DOCUMENT.  
 DIMENSIONS: INCHES [mm]  
 TOLERANCES UNLESS OTHERWISE SPECIFIED:  
 0 PLC ± -  
 1 PLC ± -  
 2 PLC ± -  
 3 PLC ± .005 [0.13]  
 4 PLC ± -  
 ANGLES ± -

|  |                 |  |
|--|-----------------|--|
| SEE SHEET #2   | "02"            | 1757625-4  |
| SEE SHEET #2   | "136"           | 1757625-2  |
| SEE SHEET #1   | "02"            | 1757625-1  |
| VIEW   | KEYING POSITION | PART NUMBER  |
| THIS DRAWING IS A CONTROLLED DOCUMENT.   |                 |  |
| DIMENSIONS: INCHES [mm]<br>TOLERANCES UNLESS OTHERWISE SPECIFIED:<br>0 PLC ± -<br>1 PLC ± -<br>2 PLC ± -<br>3 PLC ± .005 [0.13]<br>4 PLC ± -<br>ANGLES ± - |                 | DWN C.C.THOMAS 1-4-05<br>CHK K.HOGAN 1-4-05<br>APVD K.HOGAN 1-4-05<br>PRODUCT SPEC<br>APPLICATION SPEC<br>WEIGHT<br>CUSTOMER DRAWING |
| RCPT ASSY, SIZE 1, ARINC 600 (BLANK/60/5C2)  |                 | TE Connectivity<br>NAME<br>SIZE CASE CODE DRAWING NO<br>A1 00779 1757625<br>RESTRICTED TO<br>SCALE 2:1 SHEET 1 OF 3 REV R            |

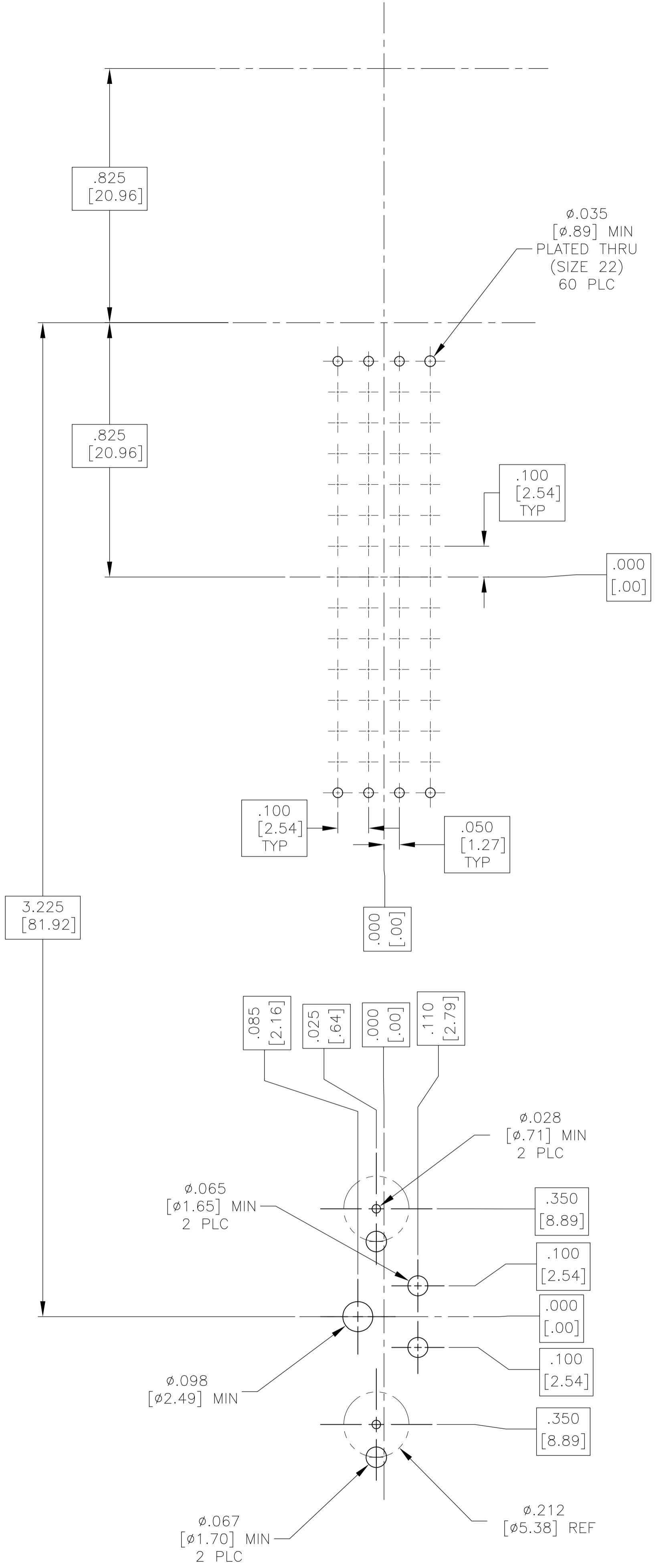
| LOC |     | DIST        |      | REVISIONS |      |   |   |
|-----|-----|-------------|------|-----------|------|---|---|
| P   | LYR | DESCRIPTION | DATE | DNW       | APVD |   |   |
| -   | -   | SEE SHEET 1 | -    | -         | -    | - | - |



1757625-2 & -4 AS SHOWN

|  |                     |                       |  |
|--|---------------------|-----------------------|--|
| THIS DRAWING IS A CONTROLLED DOCUMENT. |                     | DIN C.C.THOMAS 1-4-05 | TE Connectivity                                  |
| DIMENSIONS: INCHES [mm]                |                     | CHK K.HOGAN 1-4-05    |  |
| TOLERANCES UNLESS OTHERWISE SPECIFIED: |                     | APVD K.HOGAN 1-4-05   | NAME RCPT ASSY, SIZE 1, ARINC 600 (BLANK/60/5C2) |
| 0 PLC ± -                              | 1 PLC ± -           | PRODUCT SPEC          | APPLICATION SPEC                                 |
| 2 PLC ± -                              | 3 PLC ± .005 [0.13] | SIZE                  | CAGE CODE DRAWING NO                             |
| 4 PLC ± -                              | ANGLES ± -          | WEIGHT                | A1 00779 C=1757625                               |
| MATERIAL SEE TABLE                     | FINISH SEE TABLE    | CUSTOMER DRAWING      | SCALE 2:1 SHEET 2 OF 3 REV R                     |

| LOC |     | DIST        |      | REVISIONS |      |  |  |
|-----|-----|-------------|------|-----------|------|--|--|
| P   | LYR | DESCRIPTION | DATE | DNW       | APVD |  |  |
| -   | -   | SEE SHEET 1 | -    | -         | -    |  |  |



RECOMMENDED P.C. BOARD LAYOUT  
 SCALE 4:1

|   |                     |                          |   |
|---|---------------------|--------------------------|---|
| THIS DRAWING IS A CONTROLLED DOCUMENT.  |                     | DIN<br>C.C.THOMAS 1-4-05 | TE Connectivity                                     |
| DIMENSIONS:<br>INCHES [mm]  |                     | CHK<br>K.HOGAN 1-4-05    |   |
| TOLERANCES UNLESS OTHERWISE SPECIFIED:  |                     | APVD<br>K.HOGAN 1-4-05   | NAME<br>RCPT ASSY, SIZE 1, ARINC 600 (BLANK/60/5C2) |
| 0 PLC ± -<br>1 PLC ± -<br>2 PLC ± -<br>3 PLC ± .005 [0.13]<br>4 PLC ± -<br>ANGLES ± - |                     | APPLICATION SPEC         | RESTRICTED TO                                       |
| MATERIAL<br>SEE TABLE   | FINISH<br>SEE TABLE | WEIGHT<br>-              | SIZE<br>A1 00779                                    |
| CUSTOMER DRAWING  |                     | SCALE<br>2:1             | SHEET<br>3 OF 3                                     |
|   |                     | DRAWING NO.<br>1757625   | REV<br>R  |

## X-ON Electronics

Largest Supplier of Electrical and Electronic Components

*Click to view similar products for [Rack & Panel Connectors](#) category:*

*Click to view products by [TE Connectivity](#) manufacturer:*

Other Similar products are found below :

[00170420102](#) [00171420202](#) [00171440002](#) [008026165000265](#) [00-8219-072-000-112P44](#) [008219072000112P5](#) [008219072000112P61](#) [00-8223-096-580-102](#) [02-014-013-5200-000](#) [00-8129-015-610-108](#) [613467-000](#) [CTJ112E01E-513](#) [CTJ116E03A-513](#) [M81714/63-22S L/C](#) [M81714/65-12-1](#) [66020-2](#) [CW8958-000](#) [699886-000](#) [D250-50632](#) [70.400.3240.0](#) [70.955.2453.3](#) [733753-000](#) [F22831-000](#) [780-522-DPX34RG8-02](#) [MMA25-0051R1](#) [MMA25-0341D1](#) [8660-501](#) [87.060.0053.0](#) [900709N001](#) [QRP4-12P-C\(01\)](#) [QR/P6-6S-C\(01\)](#) [AC-600003-004](#) [1218600-1](#) [D-659-0061](#) [DMC-MD 24 C-T](#) [1-445717-6](#) [1484398-2](#) [1484399-2](#) [1484469-2](#) [MR-34MG](#) [1484225-1](#) [1484398-1](#) [1484510-4](#) [1604997-2](#) [1663130-1](#) [1663767-7](#) [1663767-8](#) [MTC100-BF1-P31CS015](#) [MTC100-KT2-0083](#) [MTC100-KT2-0123-003](#)