

Pressfit Indicator Lights for 3/8 Dia. Mounting Hole

34 SERIES

- INDICATOR LIGHTS WITH INTEGRAL CYLINDRICAL FLAT TOP LENS & HOUSING
- PRESSFIT NEON & INCANDESCENT INDICATOR LIGHTS
- 3/8" DIA. MOUNTING HOLE
- 6" WIRE LEADS • 6 TO 250 DESIGN VOLTS
- UL RECOGNIZED • UL FILE E20356

Overview

The 34 Series Indicators feature a one piece housing with an integral cylindrical flat top lens which is available in a wide variety of voltage options and colors. Indicators are designed to pressfit mount into a 3/8" mounting hole with a recommended panel thickness of 0.020" minimum. A speednut, part number **8700431688**, is supplied.

Specifications

One Piece Lens/Housing: nylon.

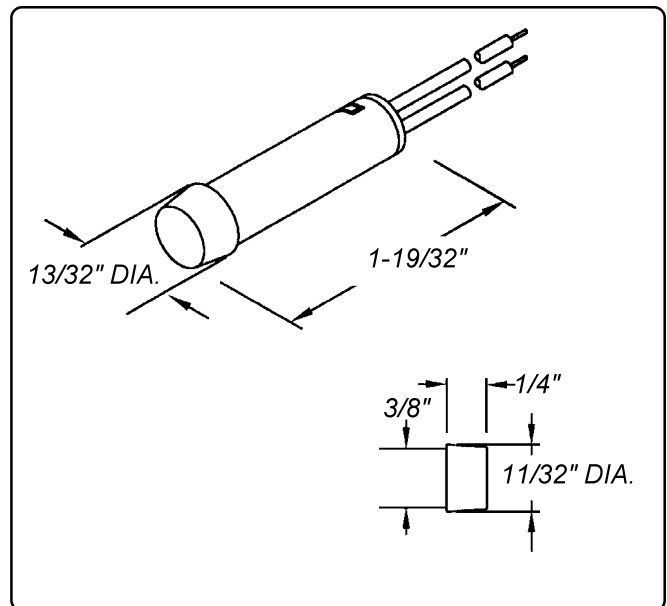
Incandescent AC or DC voltage options: 6, 14 and 28 volts.

Neon AC or DC voltage options: 125 and 250 volts.

Note: high brightness green and blue neon lamps supplied in green and blue neon applications.

Wire leads:

6" Leads: #20 AWG, black, bare copper, PVC insulated, UL/CSA rated 105° C, 600 V, UL style 1015, stripped 1/2". Custom wire lengths, stripping, termination and wire types are available.



Can't find it here? We have many more standard and custom solutions

The items in this product sheets are only a small representative sample of the complete VCC product line. We manufacture many additional products which are not shown in this product sheet due to space constraints.

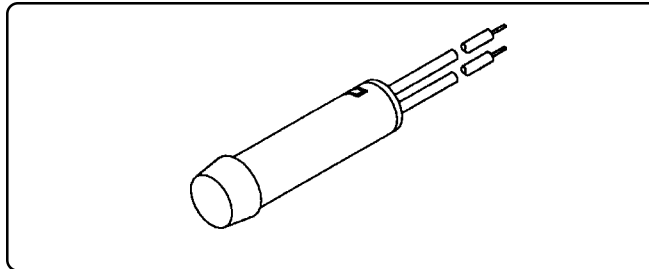
Custom products can also be designed uniquely for you by our Technical Support Professionals. Starting from your ideas and specifications, we work with your personnel to develop timely and cost effective solutions for your miniature lighting needs.

VCC Technical Support Services are provided without charge and may include designs, prototypes and pre-production samples.

For further information, phone Customer Service at 800.522.5546.

Pressfit Indicator Lights for 3/8 Dia. Mounting Hole

34 SERIES
Integral Cylindrical
Flat Lens
Variety of
Lens Colors



6" Wire Leads
Nylon Housing
Speednut
Neon or
Incandescent

Part Number 6" Wire Leads	Lens Color	Lens Type	Lamp Type	Design Volts	Design Watts or Amps	Life (hrs)
34N-0581	Red	Cylindrical Flat Top	Neon	125	1/3W	25,000
34HN-0581	Red	Cylindrical Flat Top	Neon	250	1/3W	25,000
34NG1-0581	Red	Cylindrical Flat Top	Incandescent	6	.20A	5,000
34NG3-0581	Red	Cylindrical Flat Top	Incandescent	14	.10A	10,000
34NG18-0581	Red	Cylindrical Flat Top	Incandescent	28	.04A	7,000
34N-0582	Green	Cylindrical Flat Top	Neon	125	1/3W	25,000
34HN-0582	Green	Cylindrical Flat Top	Neon	250	1/3W	25,000
34NG1-0582	Green	Cylindrical Flat Top	Incandescent	6	.20A	5,000
34NG3-0582	Green	Cylindrical Flat Top	Incandescent	14	.10A	10,000
34NG18-0582	Green	Cylindrical Flat Top	Incandescent	28	.04A	7,000
34N-0583	Amber	Cylindrical Flat Top	Neon	125	1/3W	25,000
34HN-0583	Amber	Cylindrical Flat Top	Neon	250	1/3W	25,000
34NG1-0583	Amber	Cylindrical Flat Top	Incandescent	6	.20A	5,000
34NG3-0583	Amber	Cylindrical Flat Top	Incandescent	14	.10A	10,000
34NG18-0583	Amber	Cylindrical Flat Top	Incandescent	28	.04A	7,000
34N-0584	Blue	Cylindrical Flat Top	Neon	125	1/3W	25,000
34HN-0584	Blue	Cylindrical Flat Top	Neon	250	1/3W	25,000
34NG1-0584	Blue	Cylindrical Flat Top	Incandescent	6	.20A	5,000
34NG3-0584	Blue	Cylindrical Flat Top	Incandescent	14	.10A	10,000
34NG18-0584	Blue	Cylindrical Flat Top	Incandescent	28	.04A	7,000
34N-0585	White	Cylindrical Flat Top	Neon	125	1/3W	25,000
34HN-0585	White	Cylindrical Flat Top	Neon	250	1/3W	25,000
34NG1-0585	White	Cylindrical Flat Top	Incandescent	6	.20A	5,000
34NG3-0585	White	Cylindrical Flat Top	Incandescent	14	.10A	10,000
34NG18-0585	White	Cylindrical Flat Top	Incandescent	28	.04A	7,000
34N-0587	Clear	Cylindrical Flat Top	Neon	125	1/3W	25,000
34HN-0587	Clear	Cylindrical Flat Top	Neon	250	1/3W	25,000
34NG1-0587	Clear	Cylindrical Flat Top	Incandescent	6	.20A	5,000
34NG3-0587	Clear	Cylindrical Flat Top	Incandescent	14	.10A	10,000
34NG18-0587	Clear	Cylindrical Flat Top	Incandescent	28	.04A	7,000

X-ON Electronics

Largest Supplier of Electrical and Electronic Components

Click to view similar products for [leecraft](#) manufacturer:

Other Similar products are found below :

[32-2111T](#) [32R-2111](#) [31G18-2112T](#) [75R-2211](#) [L79D-G125-W](#) [L79D-G24-W](#) [L75R-G24-2212T](#) [32-2113](#) [32R-2113T](#) [36EN-2313](#) [36EN-2311](#) [75R-2212](#) [L79D-R12-W](#) [L58D-R24-W](#) [32R-2211](#) [L58D-G24-W](#) [L79D-R24-W](#) [32R-2111T](#) [32R-2112T](#) [L59D-Y24-W](#) [L79D-R125-W](#) [L59D-R24-W](#) [L75R-R24-2211](#) [32R-2311](#) [L59D-G12-W](#) [L59UD-R24-W](#) [75R-2212T](#) [L32R-ACL24-1113](#) [L59UD-G24-W](#) [L59D-G24-W](#) [31-2111T](#) [75R-2213](#) [45RN-2112T3](#)