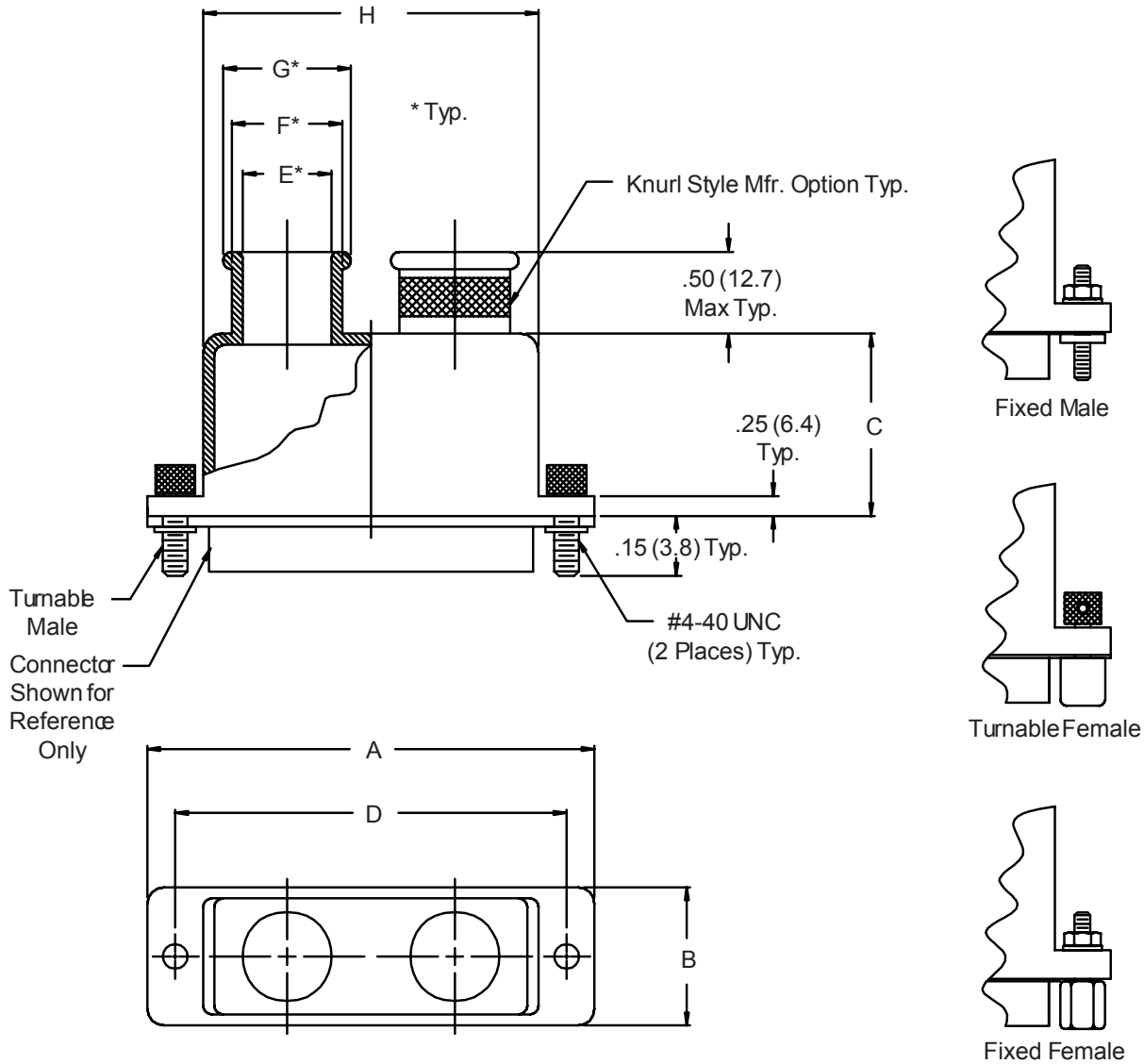


557-080 M 2 L B

- Basic Part No. _____
- Finish Symbol (Page 3) _____
- Shell Size (Table I) _____
- B = Band Supplied (600-052), Omit for None
- Hardware Options, Omit for Standard 2 Turnable Males
- L = Part Supplied Less Jackscrew and Clip
- R = Fixed Males
- P = Fixed Females
- N = 1 Fixed Male and 1 Fixed Female
- T = Turnable Females
- F = 1 Turnable Male and 1 Turnable Female
- RT = 1 Fixed Female and 1 Turnable Female
- PF = 1 Fixed Female and 1 Turnable Male



557-080
D-Subminiature Dual-Entry
Solid Banding Backshell



MIL-DTL-24308
D-Subminiature

TABLE I: SHELL SIZE & BACKSHELL DIMENSIONS

Shell Size	A Max	B	C	D ±.005 (.1)
1	1.25 (31.8)	.53 (13.5)	.75 (19.1)	.984 (25.0)
2	1.58 (40.1)	.53 (13.5)	.75 (19.1)	1.312 (33.3)
3	2.13 (54.1)	.53 (13.5)	1.00 (25.4)	1.852 (47.0)
4	2.77 (70.4)	.53 (13.5)	1.00 (25.4)	2.500 (63.5)
5	2.68 (68.1)	.66 (16.8)	1.25 (31.8)	2.406 (61.1)
6	2.77 (70.4)	.73 (18.5)	1.25 (31.8)	2.500 (63.5)

TABLE I (Continued): CABLE ENTRY

Shell Size	E Dia	F Dia	G Dia	H
1	.125 (3.2)	.250 (6.4)	.312 (7.9)	.76 (19.3)
2	.250 (6.4)	.375 (9.5)	.437 (11.1)	1.09 (27.7)
3	.250 (6.4)	.375 (9.5)	.437 (11.1)	1.62 (41.1)
4	.250 (6.4)	.375 (9.5)	.437 (11.1)	2.28 (57.9)
5	.375 (9.5)	.500 (12.7)	.562 (14.3)	2.18 (55.4)
6	.500 (12.7)	.625 (15.9)	.688 (17.5)	2.28 (57.9)

1. Metric dimensions (mm) are indicated in parentheses.
2. **DO NOT USE CONNECTORS WITH FLOAT MOUNTINGS.**

X-ON Electronics

Largest Supplier of Electrical and Electronic Components

Click to view similar products for [D-Sub Backshells](#) category:

Click to view products by [Glenair](#) manufacturer:

Other Similar products are found below :

[173114-0084](#) [173112-1658](#) [600X51137X](#) [600X54009X](#) [66241-12A](#) [M85049/48-1-2](#) [M85049/48-3-5F](#) [M85049/6-38N](#) [M85049/86-12N03](#)
[70.350.0636.4](#) [70.350.2435.1](#) [72.350.1035.2](#) [72.352.2435.1](#) [73.359.4035.3](#) [799-015TMH07M](#) [799-015TMH08N](#) [FKH1RE](#) [829472-1](#) [F-](#)
[PHG-1E](#) [F-PHG-3E](#) [F-PHG-4E](#) [F-PHR-4E](#) [PCS-E20W](#) [8655MHRA0901KLF](#) [8655MHRA2501KLF](#) [958-009-010R011](#) [970-015-040R011](#)
[970-025-030R121](#) [970-025-040R011](#) [971-009-030R121](#) [971-009-040R011](#) [971-015-040R011](#) [971-025-040R011](#) [GS85049/38-25M](#) [975T009-](#)
[020R121](#) [975T015-020R121](#) [1-21986-2](#) [1-21986-5](#) [DB-20962](#) [DE-C8-J9-F4-1R](#) [DE-C8-J9-F5-1R](#) [DPH-B-003](#) [1437013-9](#) [1484402-8](#)
[MS3057-10A](#) [156-3025-EX](#) [MS3417-16C](#) [16-500800](#) [165X02659X](#) [165X03329A](#)