

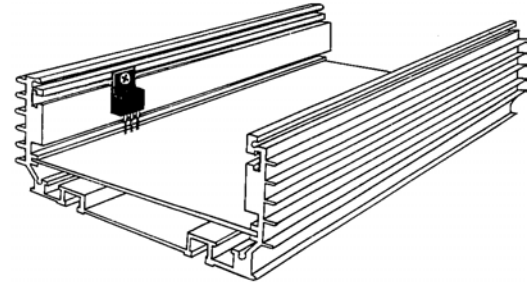
Heatsink Enclosures

These extruded aluminium channels are designed to be used as robust, low impedance, electronics enclosures, but can also be used as free-standing heatsink. Three different extrusions are available, providing a range of sizes and styles. The standard heatsink (HSK) is designed to form an 83mm high enclosure capable of housing a 100VA toroidal transformer. A similar low profile heatsink (LHSK) forms an enclosure 56mm high. The rugged single channel heatsink (RHSK), which is 83mm high, will accommodate a 160VA toroid.

Standard Heatsink Enclosure (HSK)

A free-standing or 3U rack mount enclosure is achieved by combining two interlocking channels with end panels. Eurocard circuit boards can slide into internal card guides enabling power devices to be attached to the heatsink section of the vertical wall with an M3 screw and half nut. There is no need for drilling. Two boards can be mounted within the enclosure, and a standard spacer can be used to support heavy components.

- Low thermal impedance heatsink
- Suitable as heat sink enclosure or as 3U rack plug in unit
- Accepts Eurocard boards (100 x 160mm or 100 x 220mm)
- Simple fitting of power devices (M3 x 7 screw and half nut)
- Enclosure gives RFI protection
- Accommodates toroidal transformer rated up to 100VA
- Internal & external M4 nut "T" slots
- Other lengths available (Subject to minimum quantity)



HSK Specification

Extrusion: HE9TF aluminium. Black anodised.
 Standard Length 160 or 220mm
 Normal wall thickness 2mm; thickness adjacent to power devices 7mm

End Panels: HE9TF aluminium. Black anodised.
 1.6mm with four mounting holes

Standard Heatsink (Single U channel)				
Part No	Length	Impedance °C/W	Finish	Mass
HS/160	160mm	2.0	Black	0.35kg
HS/220	220mm	1.8	Black	0.46kg

Standard Heatsink Enclosure Kit				
Consists of:		Two extrusion channels	Two end panels with fixing holes	
		Eight No4 6mm black self tap screws	Four self adhesive feet	
Part No.	Length	Impedance °C/W	Finish	Mass
HSK/160	160mm	2.0	Black	0.8kg
HSK/220	220mm	1.8	Black	1.0kg

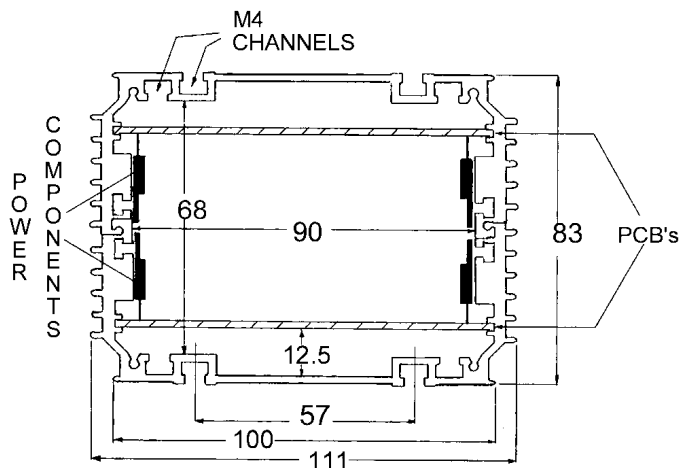


Figure 1: HSK Heatsink with dimensions (mm)

HS1 12402

Low Profile Heatsink Enclosure (LHSK)

A free-standing or 3U rack mount enclosure is achieved by combining two interlocking channels with end panels. Eurocard circuit boards can slide into internal card guides enabling power devices to be attached to the heatsink section of the vertical wall with an M3 screw and half nut. PCB's can be mounted vertically or horizontally within the enclosure, and a spacer can be used to support heavy components.

- Low thermal impedance heatsink
- Suitable as heat sink enclosure or as 3U rack plug in unit
- Accepts Eurocard boards (100 x 160mm) or narrower pcb's
- Simple fitting of power devices (M3 x 7 screw and half nut)
- Enclosure gives RFI protection
- External M4 nut "T" slots
- Other lengths available (Subject to minimum quantity)

LHSK Specification

Extrusion: HE9TF aluminium. Black anodised.
Standard Length 160mm
Normal wall thickness 2-3mm

End Panels: HE9TF aluminium. Black anodised
1.6mm thick with four mounting holes

Low Profile Heatsink (Single U channel)				
Part No	Length	Impedance °C/W	Finish	Mass
LHS/160	160mm	2.3	Black	0.25kg
Low Profile Heatsink Enclosure Kit				
Consists of:		Two extrusion channels	Two end panels with corner mounting holes	
		Eight No4 6mm black self tap screws	Four self adhesive feet	
Part No.	Length	Impedance °C/W	Finish	Mass
LHSK/160	160mm	2.3	Black	0.55kg

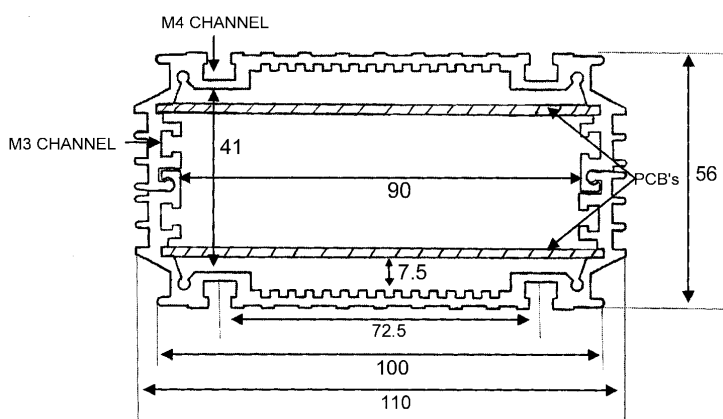


Figure 2: LHSK Heatsink with dimensions (mm)

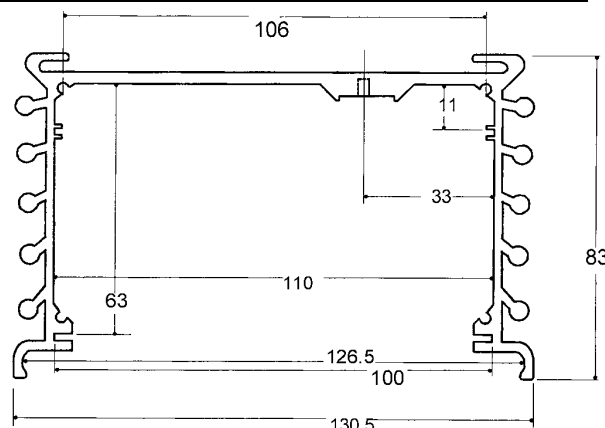


Figure 3: RHSK Heatsink with dimensions (mm)

Rugged Heatsink Enclosure (RHSK)

A free-standing enclosure is achieved by combining one channel with an interlocking bottom/back and an end panel. A circuit board can slide into internal card guides enabling power devices to be attached using pre-tapped holes in the heatsink. One board can be mounted within the enclosure, and spacers can be fitted between board and floor to support heavy components.

- Very rugged low thermal impedance heatsink or heat sink enclosure
- Simple fitting of power devices to heatsink floor
- Enclosure gives RFI protection
- External slots in top of section (e.g., to hold instruction booklet)
- Other lengths available (Subject to minimum quantity)

RHSK Specification

Extrusion: HE9TF aluminium. Black powder coated.
Standard Length 220mm
Normal wall thickness 2-3mm; for power devices 6mm

End Panels: Sheet steel. Black powder coated.
1.4mm thick with four mounting holes

Rugged Heatsink (Single U channel)				
Part No	Length	Impedance °C/W	Finish	Mass
RHS/220	220mm	1.8	Black	0.68kg
Rugged Heatsink Enclosure Kit				
Consists of:		One extrusion channel	One bottom/back panel with fixing holes	
		One end panel with fixing holes	Eight No4 6mm black self tap screws	
		Four self adhesive feet		
Part No.	Length	Impedance °C/W	Finish	Mass
RHSK/220	220mm	1.8	Black	1.05kg

X-ON Electronics

Largest Supplier of Electrical and Electronic Components

Click to view similar products for [lawtronics](#) manufacturer:

Other Similar products are found below :

[G4T5](#)