

CERAMIC CHIP, SURFACE, MOUNT LED, RED TRANSPARENT, TAPE AND REEL.

\*\*THE SPECIFICATIONS MAY CHANGE AT ANY TIME WITHOUT NOTICE DUE TO NEW MATERIALS OR PRODUCT IMPROVEMENT.\*\*

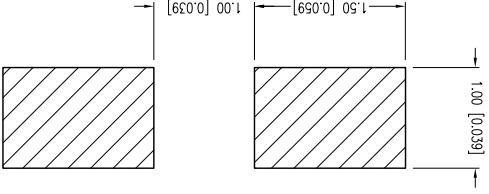
CONFIDENTIAL INFORMATION  
 THE INFORMATION CONTAINED IN THIS DOCUMENT IS THE PROPERTY OF LUMEX INC. EXCEPT AS SPECIFICALLY AUTHORIZED IN WRITING BY LUMEX INC., THE HOLDER OF THIS DOCUMENT SHALL KEEP ALL INFORMATION CONTAINED HEREIN CONFIDENTIAL AND SHALL PROTECT SAME IN WHOLE OR IN PART FROM DISCLOSURE AND DISSEMINATION TO ALL THIRD PARTIES.

DATE: 04.12.11  
 DRAWN BY: AB  
 PAGE: 1 OF 2  
 CHKD BY: SS  
 SCALE: NTS  
 APRVD BY: JD

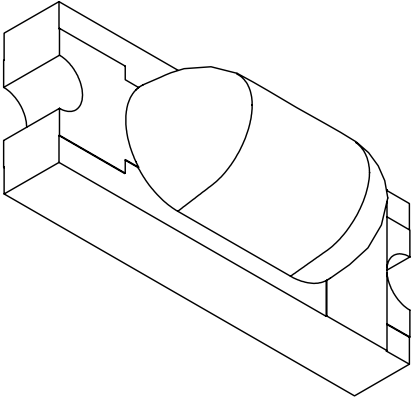
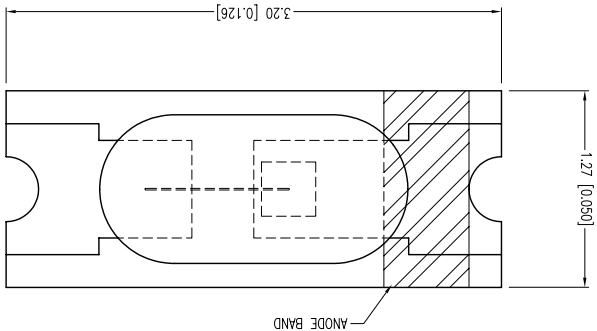
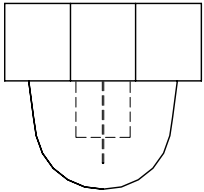
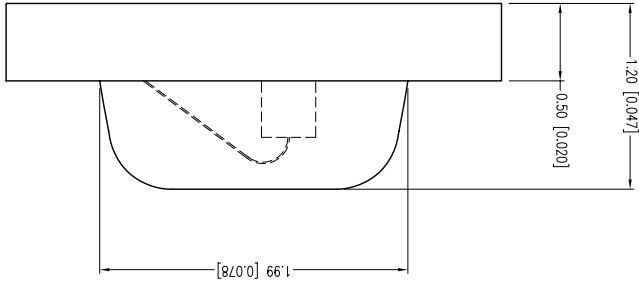


UNLESS OTHERWISE SPECIFIED TOLERANCES PER DECIMAL PRECISION ARE: X=±1 (±0.039), XX=±0.5 (±0.020), XXX=±0.25 (±0.010), XXXX=±0.127 (±0.005), LEAD SIZE=±0.05 (±0.002), LEAD LENGTH=±0.75 (±0.030), MIN= -0.00, MAX= +0.00, DECIMAL PRECISION

UNCONTROLLED DOCUMENT



RECOMMENDED SOLDER PAD LAYOUT



PARAMETER	MAX	UNITS
PEAK FORWARD CURRENT*	800	mA
STEADY CURRENT	30	mA
POWER DISSIPATION	130	mW
DERATE FROM 25C	-2.4	mW/C
OPERATING TEMP.	-30 TO +80	C
STORAGE TEMP.	-40 TO +120	C
* t<10µs		

PARAMETER	MIN	TYP.	MAX	UNITS	TEST COND
PEAK WAVELENGTH	660			nm	
FORWARD VOLTAGE	1.8	2.1		Vf	I <sub>f</sub> =100µA
REVERSE VOLTAGE	5.0			Vr	I <sub>f</sub> =20mA
AXIAL INTENSITY	8.0			med	I <sub>f</sub> =20mA
VIEWING ANGLE	180			2x theta	
EMITTED COLOR:	RED				
EPOXY LENS FINISH:	RED TRANSPARENT				

ELECTRO-OPTICAL CHARACTERISTICS TA = 25°C, I<sub>f</sub> = 20mA

REV.	DATE	E.C.N. NUMBER AND REVISION COMMENTS
G		
A	11.20.95	ADDED TAPE AND REEL SPEC.
B	12.18.95	E.C.N. #10105.
C	11.09.98	E.C.N. #10BRDR. & REDRAWN.
D	04.28.99	E.C.N. #10511./POLARITY MARK SWITCHED.
E	06.17.99	E.C.N. #10524./CHANGED HEIGHT.
F	12.04.06	E.C.N. #11148.
G	04.12.11	E.C.N. #10BRDR. & REDRAWN.

PART NUMBER	REV.
CCL-LX45SRT	G

UNCONTROLLED DOCUMENT

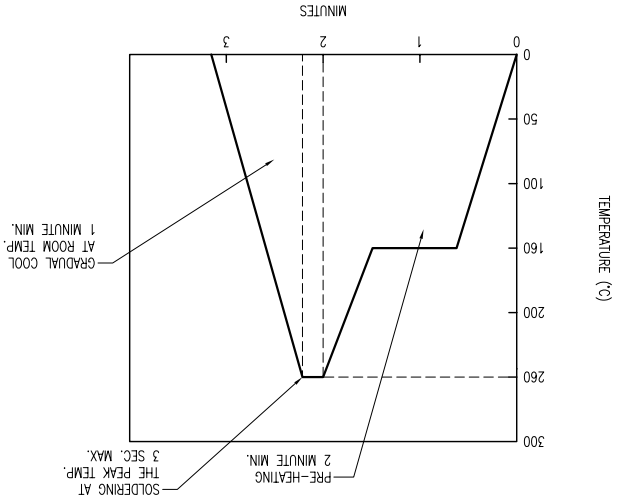
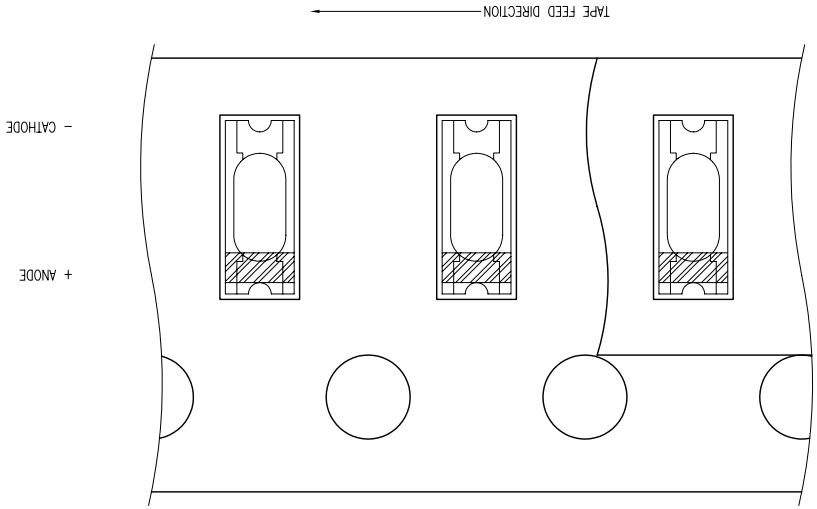
THE INFORMATION CONTAINED IN THIS DOCUMENT IS THE PROPERTY OF LUMEX INC. EXCEPT AS SPECIFICALLY AUTHORIZED IN WRITING BY LUMEX INC., THE HOLDER OF THIS DOCUMENT SHALL KEEP ALL INFORMATION CONTAINED HEREIN CONFIDENTIAL AND SHALL PROTECT SAME IN WHOLE OR IN PART FROM DISCLOSURE AND DISSEMINATION TO ALL THIRD PARTIES.  
CONFIDENTIAL INFORMATION

CERAMIC CHIP, SURFACE, MOUNT LED, REEL TRANSPARENT, TAPE AND REEL.  
\*\*THE SPECIFICATIONS MAY CHANGE AT ANY TIME WITHOUT NOTICE DUE TO NEW MATERIALS OR PRODUCT IMPROVEMENT.\*\*

DATE: 04.12.11	DRAWN BY: AB
PAGE: 2 OF 2	CHKD BY: SS
SCALE: NTS	APRVD BY: JD
UNIT: mm [INCH]	

UNLESS OTHERWISE SPECIFIED TOLERANCES PER DECIMAL PRECISION ARE: X=±1 (±0.039), XX=±0.5 (±0.020), XXX=±0.25 (±0.010), XXXX=±0.127 (±0.005), LEAD SIZE=±0.05 (±0.002), LEAD LENGTH=±0.75 (±0.030), MIN= -0.00 (DECIMAL PRECISION), MAX= +0.00 (DECIMAL PRECISION)

UNCONTROLLED DOCUMENT



REV.	REV.	PART NUMBER	DATE	E.C.N. NUMBER AND REVISION COMMENTS
G		CCL-LX45SRT	11.20.95	ADDED TAPE AND REEL SPEC.
A			12.18.95	E.C.N. #10105.
B			11.09.98	E.C.N. #10BRDR. & REDRAWN.
C			04.28.99	E.C.N. #10511./POLARITY MARK SWITCHED.
D			06.17.99	E.C.N. #10524./CHANGED HEIGHT.
E			12.04.06	E.C.N. #11148.
F			04.12.11	E.C.N. #10BRDR. & REDRAWN.
G				

## X-ON Electronics

Largest Supplier of Electrical and Electronic Components

*Click to view similar products for [Standard LEDs - SMD category](#):*

*Click to view products by [Lumex manufacturer](#):*

Other Similar products are found below :

[LTST-C19GD2WT](#) [LTST-N683GBEW](#) [597-3006-607F](#) [597-3403-607F](#) [LTW-K140SZR40](#) [LTW-M140ZVS](#) [598-8110-100F](#) [598-8170-100F](#)  
[598-8610-202F](#) [7012X7](#) [AAAF5060QBFSEEZGS](#) [12-22SURSYGC/S530-A3/E2/TR8](#) [1383SURT/S530-A3/TR1\(R\)](#) [APT1608QGW](#)  
[EASV1803BA0](#) [HT-F104TW-5860](#) [SML310BATT86](#) [SML-512VWT86A](#) [SML-LX0606SISUGC/A](#) [SML-LXL1307SRC-TR](#) [SML-](#)  
[LXR851SIUPGUBC](#) [LT1ED53A](#) [17-21/G6C-FM1N2B/3T](#) [FAT801-S](#) [SSL-LXA227IC-TR31A](#) [AM27ZGC03](#) [APB3025SGNC](#)  
[APHK1608VGCA](#) [APT2012QGW](#) [CLMVC-FKA-CA1E1L81BB7C3C3](#) [CLYBA-FKA-CFHHL9BBB7A363](#) [CMD11504UR](#) [LTW-](#)  
[020ZDCG](#) [LTW-21TS5](#) [LTW-K140SZR30](#) [HSMY-C177](#) [HT-121UYG-4739](#) [UYGT801-S](#) [KVH1C100MF6R](#) [42-21SYGC/S530-E1/TR8](#)  
[YGFR411-H](#) [597-2311-402F](#) [597-2712-602F](#) [5973212407NF](#) [597-3302-607F](#) [597-5202-407F](#) [598-8330-117F](#) [SAW8WA2A-L35M40-CA](#)  
[SML013WBDW1](#) [SML522BUWT86](#)