

Gold Bonded

1N34A

Germanium Diodes

Optimized for Radio Frequency Response

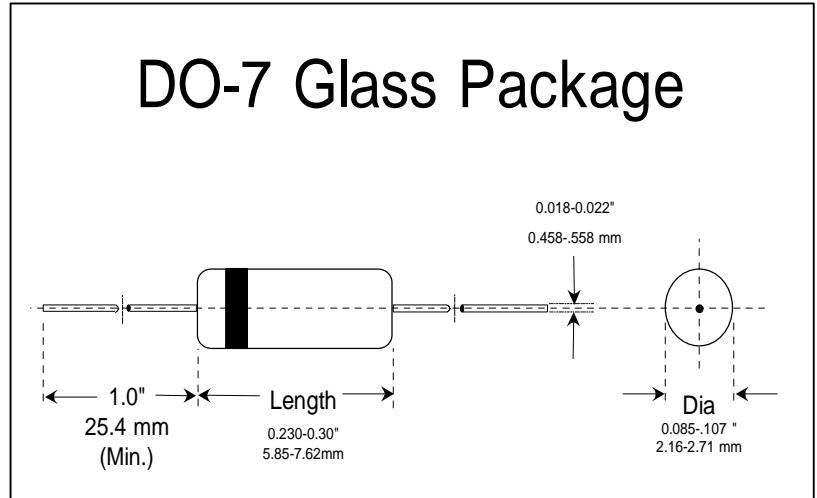
Can be used in many AM, FM and TV-IF applications, replacing point contact devices.

### Applications

- AM/FM detectors
- Ratio detectors
- FM discriminators
- TV audio detectors
- RF input probes
- TV video detectors

### Features

- Lower leakage current
- Flat junction capacitance
- High mechanical strength
- At least 1 million hours MTBF
- BKC's Sigma-Bond™ plating for problem free solderability



Absolute Maximum Ratings at T<sub>amb</sub> = 25 °C

Parameter	Symbols	Min.	Max.	Units
Peak Inverse Voltage (Repetitive), Measured @ I <sub>R</sub> = 1 mA	PIV	**	65	Volts
Peak Forward Surge Current Non-Repetitive, t = 1 Second	I <sub>FSM</sub>		0.5	Amps
Peak Forward Surge Current Repetitive	I <sub>FSR</sub>		200	mA
Average Rectified Forward Current	I <sub>O</sub>		50	mA
Operating and Storage Temperatures	T <sub>J&amp;STG</sub>	-55	+75	°C

Electrical Characteristics at T<sub>amb</sub> = 25 °C

Parameter	Test Conditions	Symbols	Min.	Max.	Units
Forward Voltage Drop	I <sub>F</sub> = 5.0mA	V <sub>F</sub>		1.0	Volts
Reverse Leakage	V <sub>R</sub> = 10 Volts	I <sub>R</sub>		30	µA
	V <sub>R</sub> = 50 Volts			500	µA
Breakdown Voltage	I <sub>r</sub> = 1.0 mA	PIV	65		Volts

This datasheet has been download from:

[www.datasheetcatalog.com](http://www.datasheetcatalog.com)

Datasheets for electronics components.

## X-ON Electronics

Largest Supplier of Electrical and Electronic Components

*Click to view similar products for [microsemi](#) manufacturer:*

Other Similar products are found below :

[APT100GF60JU3](#) [APT2X101DL40J](#) [APT2X31D60J](#) [APT2X60D100J](#) [APT35GA90BD15](#) [APT36GA60BD15](#) [ARF477FL](#) [MT90869AG2](#)  
[1N5280B](#) [1N5663A](#) [1N5772](#) [1N6317](#) [JAN1N6461](#) [JANTX1N6462US](#) [SG2842M](#) [1N6311US](#) [1N6663US](#) [APT30M19JVFR](#) [Core429-SA](#)  
[M2S025-VFG400](#) [AX2000-FG896](#) [JAN2N3439](#) [JANTX1N5651A](#) [JANTX1N5804US](#) [MSD75-08](#) [SG3524D](#) [SM64TQ-ACTEL-1](#)  
[VSC8514XMK-11](#) [AGL1000V2-CS281I](#) [AGL400V2-FGG144](#) [APT50GF120JRDQ3](#) [APT2X100D100J](#) [APT10025JVFR](#) [APA300-CQ208B](#)  
[APT8014L2FLLG](#) [1N5711UBD](#) [1N6336US](#) [AFS600-FG256I](#) [AX500-FGG484I](#) [A3PE3000L-1FG896I](#) [SG3526BN](#) [BR230-290B2-28V-](#)  
[021M](#) [M2S090TS-EVAL-KIT](#) [A3P030-QNG68I](#) [A2F500M3G-FGG256](#) [JANTX1N827-1](#) [JANTX1N6638U](#) [JANTX1N4104D-1](#)  
[JANS1N5811US](#) [JANTXV2N3251A](#)