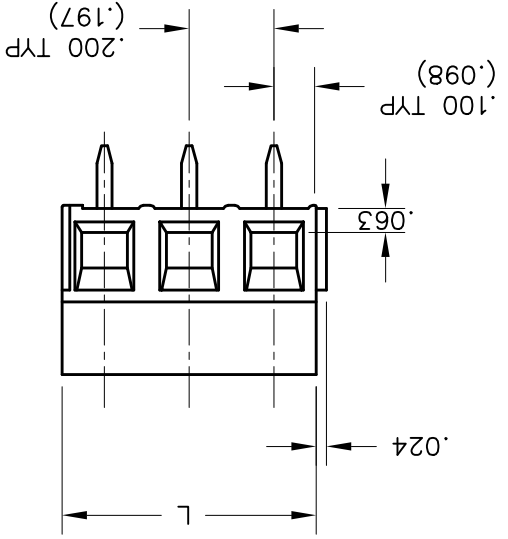
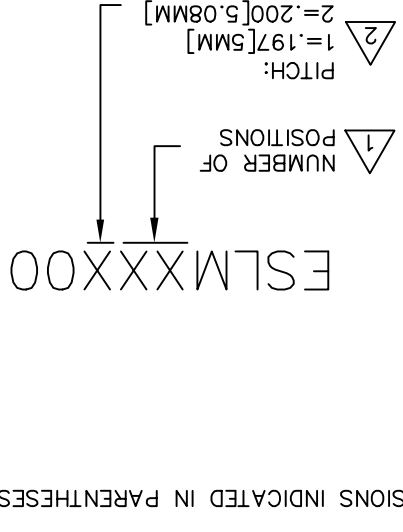


APPD	ECN	4785
REV	—	—

L=PITCH X POSITIONS

NOTES:  
 1 PARTS GREATER THAN 3 POSITIONS ASSEMBLED WITH APPROPRIATE COMBINATIONS OF 2 AND 3 POSITION MODULES. (3 POSITION MODULE SHOWN)  
 2 .197 [5mm] PITCH DIMENSIONS INDICATED IN PARENTHESES.



<b>UL</b>	RATINGS	CURRENT - 13.5A	VOLTAGE - 300V	U.L. FILE NO.
<b>CSA</b>	RATINGS	CURRENT - 13.5A	VOLTAGE - 300V	CSA FILE NO.

<b>UL</b>	RATINGS	CURRENT - 13.5A	VOLTAGE - 250V	TUV FILE NO.
<b>EN</b>	60947-7-1:1992	CURRENT - 13.5A	VOLTAGE - 250V	
<b>DIN</b>	VDE 0627:1986			
<b>DIN</b>	VDE 0110-1:1989			
<b>EN</b>	60947-1:1991			
<b>EN</b>	60947-7-1:1992			

**INSTALLATION**  
 OPERATING TEMPERATURE RANGE: -40°C TO 110°C  
 RECOMMENDED PCB THICKNESS: .094 MAX  
 .200 TYP  
 (.197)  
 .043 MIN TYP

**RECOMMENDATIONS**  
 WIRE RANGE: 14-30 AWG  
 WIRE STRIP LENGTH: .200-.240  
 TIGHTENING TORQUE: 4.4 LB-IN.

**MATERIALS**  
 HOUSING: POLYAMIDE 6/6, COLOR: BLACK  
 CONTACT: COPPER ALLOY, TIN PLATED  
 SCREW / CAGE CLAMP: COPPER ALLOY, NICKEL PLATED

DIN VDE 0627:1986	DIN VDE 0110-1:1989	EN 60947-1:1991	EN 60947-7-1:1992	CURRENT - 13.5A	VOLTAGE - 250V	TUV FILE NO.
-------------------	---------------------	-----------------	-------------------	-----------------	----------------	--------------

DIMENSIONS	ANSI Y14.5M	UNITS: INCHES	ACAD FILE	ORIGINAL STAMPED IN RED
TOLERANCES	.XX ±.01	.XXX ±.005	ANGLES ±2°	THIS DOCUMENT CONTAINS PROPRIETARY INFORMATION WHICH IS THE CONFIDENTIAL PROPERTY OF PCD, INC. PEABODY, MA, USA
PROJECTION			ENGR	APPD
<b>SPECIFICATION DRAWING</b>	B. JAWORSKI 11/1/01	CHKD	SIZE	CODE: 58982
<b>ESLM TERMINAL BLOCK</b>	ESLM02100	DWG NO.	SCALE: NONE	SHEET 1 OF 1
REV	—	REV	—	—

## X-ON Electronics

Largest Supplier of Electrical and Electronic Components

*Click to view similar products for [Standard Circular Contacts](#) category:*

*Click to view products by [Amphenol](#) manufacturer:*

Other Similar products are found below :

[60261626SNCOND1](#) [M24308/2-12F](#) [M24308/4-14F](#) [12110600010](#) [RC16M23J](#) [129591AU](#) [1000B BULK](#) [RFM26W-1D28](#) [RM20M13D28](#)  
[RM24M9D28](#) [MS3474W10-6P L/C](#) [ELFH02211](#) [ELVP16100E](#) [164-901-CD](#) [BACS16X1A](#) [1900ND05S1B00B](#) [1900ND09S1B00B](#)  
[1900ND09S1X00D](#) [1900ND02P2B00A](#) [1900ND04S1X00D](#) [1900ND12P1B00A](#) [192900-0082](#) [192900-0356](#) [ST-JL05-16S-C3-100](#) [ST-JL05-20S-C2-100](#) [T01-CRIMP-S03](#) [APK-SA16A07-002](#) [CONT-JL05-08S-C2-10](#) [RC16M-23T](#) [RFD26L-1D28](#) [M85049/124S13W](#) [33505815019](#)  
[JN1-22-20S-R-PKG100](#) [031-50565](#) [031-50794](#) [SJS861301M](#) [CF16SC18RF](#) [CONT-JL05-08P-C1-10](#) [ST-JL05-16P-C1-100](#) [ST-JL05-16S-C1-100](#) [ST-JL05-20P-C1-100](#) [ST-JN5-S-C1B-2500-\(A534G\)](#) [82911466K](#) [82911467NK](#) [84690-0106](#) [ESLM03200](#) [BACS16X3A](#) [M81714/67-21](#)  
[M24308/2-11F](#) [HN0201600031](#) [M85049/118S20W](#)