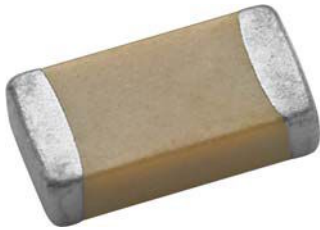


Surface Mount Multilayer Ceramic Chip Capacitors for Commodity Applications



FEATURES

- Class 2 dielectric
- Four standard sizes
- High capacitance per unit volume
- Supplied in tape and reel
- Ni-barrier with 100 % tin terminations
- Dry sheet technology process
- Base Metal Electrode system (BME)
- Compliant to RoHS Directive 2002/95/EC
- Halogen-free according to IEC 61249-2-21 definition



RoHS
COMPLIANT
HALOGEN
FREE

APPLICATIONS

- Consumer electronics
- Telecommunications
- Mobile application
- Data processing

ELECTRICAL SPECIFICATION

Note

- Electrical characteristics at 25 °C, 30 % to 70 % related humidity, unless otherwise specified

Operating Temperature: - 55 °C to + 85 °C

Capacitance Range: 47 nF to 22 µF

Voltage Range: 6.3 V_{DC} to 25 V_{DC}

Temperature Coefficient of Capacitance (TCC):

± 15 % without voltage applied

Dissipation Factor (DF):

6.3 V: ≤ 10 %

≤ 15 % for 0805 ≥ 4.7 µF

10 V: ≤ 5 %

≤ 10 % for 0402 ≥ 0.33 µF, 0603 ≥ 0.33 µF, 0805 ≥ 2.2 µF,

1206 ≥ 2.2 µF, 1210 ≥ 22 µF

≤ 15 % for 0402 ≥ 1 µF

16 V: ≤ 3.5 %

≤ 5 % for 0402 ≥ 0.033 µF, 0603 ≥ 0.15 µF, 0805 ≥ 0.68 µF,

1206 ≥ 2.2 µF, 1210 ≥ 4.7 µF

≤ 10 % for 0603 ≥ 0.68 µF, 0805 ≥ 2.2 µF, 1206 ≥ 4.7 µF,

1210 ≥ 22 µF

25 V: ≤ 3.5 %

≤ 5 % for 0805 ≥ 1 µF, 1210 ≥ 10 µF

≤ 7 % for 0603 ≥ 0.33 µF, 1206 ≥ 4.7 µF

≤ 10 % for 0402 ≥ 0.10 µF, 0603 ≥ 0.47 µF, 0805 ≥ 2.2 µF,

1206 ≥ 6.8 µF

Test Conditions for Capacitance and DF measurement:

For C ≤ 10 µF apply 1.0 V_{RMS} ± 0.2 V_{RMS}, 1.0 kHz ± 10 %

For C > 10 µF apply 0.5 V_{RMS} ± 0.2 V_{RMS}, 120 Hz ± 20 %

Preconditioning for Capacitance Tolerance Measurement:

Perform a heat treatment at 150 °C ± 10 °C for 1 h, then leave in ambient condition for 24 h ± 2 h before measurement

Aging Rate:

6.3 V/10 V: 3 % maximum per decade

16 V/25 V: 2 % maximum per decade

Insulation Resistance (IR):

≥ 10 GΩ or R x C ≥ 500 Ω x F whichever is less

Dielectric Strength Test:

This is the maximum voltage the capacitors are tested for 1 s to 5 s period and the charge/discharge current does not exceed 50 mA

≤ 100 V_{DC}: 250 % of rated voltage



VJ...W1BC X5R Dielectric

Surface Mount Multilayer Ceramic Chip Capacitors
for Commodity Applications

Vishay

QUICK REFERENCE DATA				
DIELECTRIC	CASE	MAXIMUM VOLTAGE (V)	CAPACITANCE	
			MINIMUM	MAXIMUM
X5R	0402	16	47 nF	1.0 μ F
	0603	25	220 nF	2.2 μ F
	0805	25	2.2 μ F	10 μ F
	1206	25	1.5 μ F	22 μ F
	1210	16	1.5 μ F	10 μ F

Note

- Detail ratings see selection chart

ORDERING INFORMATION							
VJ0402	G	104	K	X	Q	C	W1BC
SIZE CODE	DIELECTRIC	CAPACITANCE	TOLERANCE	TERMINATION	VOLTAGE	PACKAGING	PROCESS CODE FOR BASIC COMMODITY
0402 0603 0805 1206 1210	G = X5R	Two significant digits followed by the number of zeros: 104 = 100 000 pF	K = ± 10 % M = ± 20 %	X = Ni Barrier	S = 4 V Y = 6.3 V Q = 10 V J = 16 V X = 25 V A = 50 V	C = 7" reel/paper P = 13" reel/paper T = 7" reel/blister R = 13" reel/blister	

DIMENSIONS in inches (millimeters)					
	SIZE CODE	L	W	T MAX.	MB
	0402 (1005)	0.040 \pm 0.002 (1.00 \pm 0.05)	0.020 \pm 0.002 (0.50 \pm 0.05)	0.022 (0.55)	0.010 + 0.002/- 0.004 (0.25 + 0.05/- 0.10)
	0603 (1608)	0.063 + 0.006/- 0.004 (1.60 + 0.15/- 0.10)	0.030 + 0.006/- 0.004 (0.80 + 0.15/- 0.10)	0.038 (0.95)	0.016 \pm 0.006 (0.40 \pm 0.15)
	0805 (2012)	0.080 \pm 0.008 (2.00 \pm 0.20)	0.050 \pm 0.008 (1.25 \pm 0.20)	0.057 (1.45)	0.020 \pm 0.008 (0.50 \pm 0.20)
	1206 (3216)	0.126 + 0.012/- 0.008 (3.20 + 0.30/- 0.20)	0.063 + 0.012/- 0.008 (1.60 + 0.30/- 0.20)	0.075 (1.90)	0.024 \pm 0.008 (0.60 \pm 0.20)
	1210 (3225)	0.126 \pm 0.016 (3.20 \pm 0.40)	0.098 \pm 0.012 (2.50 \pm 0.30)	0.110 (2.80)	0.060 \pm 0.010 (0.75 \pm 0.25)

VJ....W1BC X5R Dielectric



Vishay

Surface Mount Multilayer Ceramic Chip Capacitors
for Commodity Applications

SELECTION CHART																			
DIELECTRIC		X5R																	
STYLE		VJ0402					VJ0603					VJ0805							
EIA CODE		0402					0603					0805							
VOLTAGE (V _{DC})		4 V	6.3 V	10 V	16 V	25 V	50 V	6.3 V	10 V	16 V	25 V	50 V	4 V	6.3 V	10 V	16 V	25 V	50 V	
VOLTAGE CODE		S	Y	Q	J	X	A	Y	Q	J	X	A	S	Y	Q	J	X	A	
CAP. CODE	CAP.																		
473	47 nF				N														
563	56 nF			N	N														
683	68 nF			N	N														
823	82 nF		N	N	N														
104	100 nF		N	N	N														
124	120 nF																		
154	150 nF																		
184	180 nF																		
224	220 nF		N							X	X								
274	270 nF								X	X									
334	330 nF		N						X	X	X								
394	390 nF								X	X									
474	470 nF		N					X	X	X	X								
564	560 nF																		
684	680 nF		N					X	X	X	X								
824	820 nF							X	X	X									
105	1.0 μF		N					X	X	X	X								
155	1.5 μF							X											
225	2.2 μF							X											
335	3.3 μF																		
475	4.7 μF																		
685	6.8 μF																		
106	10 μF																		
156	15 μF																		
226	22 μF																		
336	33 μF																		
476	47 μF																		
686	68 μF																		
107	100 μF																		

Note

- Letters indicate product thickness, see packaging quantities

SELECTION CHART											
DIELECTRIC		X5R									
STYLE		VJ1206					VJ1210				
EIA CODE		1206					1210				
VOLTAGE (V _{DC})		6.3 V	10 V	16 V	25 V	50 V	6.3 V	10 V	16 V	25 V	50 V
VOLTAGE CODE		Y	Q	J	X	A	Y	Q	J	X	A
CAP. CODE	CAP.										
105	1.0 μF										
155	1.5 μF		J	J				K	K		
225	2.2 μF		J	J	P			K	K		
335	3.3 μF		P	P	P						
475	4.7 μF	P	P	P	P			K	K		
685	6.8 μF	P	P								
106	10 μF	P	P	P	P			K	K		
156	15 μF										
226	22 μF	P									

Note

- Letters indicate product thickness, see packaging quantities



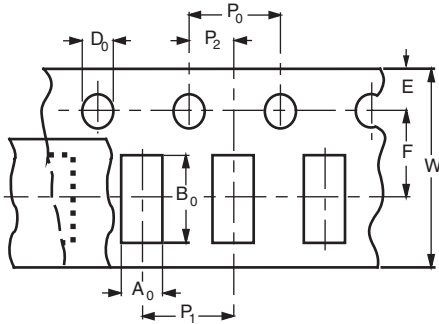
VJ....W1BC X5R Dielectric

Surface Mount Multilayer Ceramic Chip Capacitors
for Commodity Applications

Vishay

PACKAGING QUANTITIES						
SIZE CODE (inch/mm)	MAX. THICKNESS (mm)	THICKNESS SYMBOL	PAPER TAPE		PLASTIC TAPE	
			7" REEL (C)	13" REEL (P)	7" REEL (T)	13" REEL (R)
0402 (1002)	0.55	N	10K	50K		
0603 (1608)	0.90	S	4K	15K		
	0.95	X	4K	15K		
0805 (2012)	0.75	A	4K	15K		
	0.95	B	4K	15K		
	1.40	D			3K	10K
	1.45	I			3K	10K
1206 (3216)	0.95	B	4K	15K		
	1.05	C			3K	10K
	1.30	J			3K	10K
	1.35	D			3K	10K
	1.80	G			2K	
	1.80	H			2K	8K
	1.90	P			2K	
1210 (3225)	1.05	B			2K	10K
	1.05	C			3K	10K
	1.35	D			3K	10K
	1.80	G			2K	
	2.00	U			2K	4K
	2.20	K			1K	
	2.70	J			1K	4K
	2.80	M			1K	
	2.80	V			1K	4K

PAPER TAPE SPECIFICATION

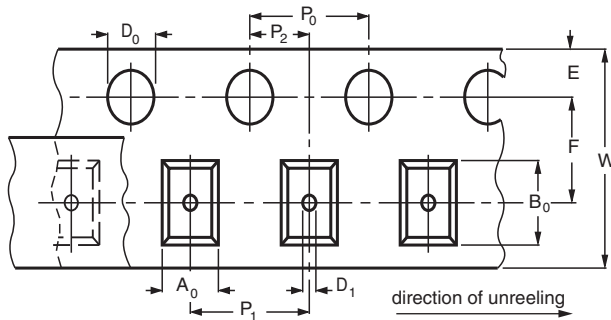


DIMENSIONS OF PAPER TAPE

in millimeters

SYM.	PRODUCT SIZE CODE			
	0402	0603	0805	1206
A_0	0.62 ± 0.05	1.02 ± 0.05	1.50 ± 0.10	2.00 ± 0.10
B_0	1.12 ± 0.05	1.80 ± 0.05	2.30 ± 0.10	3.50 ± 0.10
W	8.00 ± 0.10	8.00 ± 0.10	8.00 ± 0.10	8.00 ± 0.10
E	1.75 ± 0.05	1.75 ± 0.05	1.75 ± 0.05	1.75 ± 0.10
F	3.50 ± 0.05	3.50 ± 0.05	3.50 ± 0.05	3.50 ± 0.05
D_0	1.55 ± 0.05	1.55 ± 0.05	1.55 ± 0.05	1.50 ± 0.05
P_0	4.00 ± 0.10	4.00 ± 0.10	4.00 ± 0.10	4.00 ± 0.10
P_1	2.00 ± 0.05	4.00 ± 0.10	4.00 ± 0.10	4.00 ± 0.10
P_2	2.00 ± 0.05	2.00 ± 0.05	2.00 ± 0.05	2.00 ± 0.05

BLISTER TAPE SPECIFICATION

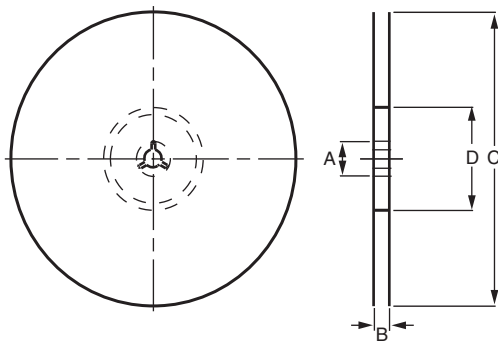


DIMENSIONS OF BLISTER TAPE

in millimeters

SYM.	PRODUCT SIZE CODE		
	0805	1206	1210
A_0	< 1.57	< 2.00	< 2.97
B_0	< 2.45	< 3.70	< 3.73
W	8.00 ± 0.10	8.00 ± 0.10	8.00 ± 0.10
E	1.75 ± 0.10	1.75 ± 0.10	1.75 ± 0.10
F	3.50 ± 0.05	3.50 ± 0.05	3.50 ± 0.05
D_0	1.50 ± 0.05	1.50 ± 0.05	1.50 ± 0.05
D_1	1.00 ± 0.10	1.00 ± 0.10	1.00 ± 0.10
P_0	4.00 ± 0.10	4.00 ± 0.10	4.00 ± 0.10
P_1	4.00 ± 0.10	4.00 ± 0.10	4.00 ± 0.10
P_2	2.00 ± 0.05	2.00 ± 0.05	2.00 ± 0.05

REEL SPECIFICATIONS



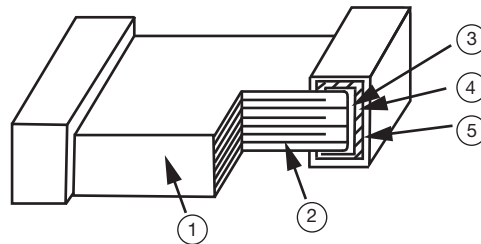
REEL DIMENSIONS AND TAPE WIDTH

in millimeters

	$\varnothing 180 \text{ mm}; 7''$	$\varnothing 330 \text{ mm}; 13''$
A	13.0 ± 0.5	13.0 ± 0.5
B	9.0 ± 1.0	9.0 ± 1.0
C	178.0 ± 1.0	330.0 ± 1.0
D	60.0 ± 1.0	100.0 ± 1.0



CONSTRUCTION			
NO.	NAME	X5R	
1	Ceramic material	BaTiO ₃ based	
2	Inner electrode	Ni	
3	Termination	Inner layer	Cu
4		Middle layer	Ni
5		Outer layer	Sn



STORAGE AND HANDLING CONDITIONS
(1) To store products at 5 °C to 40 °C ambient temperature and 20 % to 70 % related humidity conditions.
(2) The product is recommended to be used within one year after shipment. Check solderability in case of shelf life extension is needed.
Cautions:
a. Do not store products in a corrosive environment such as sulfide, chloride gas, or acid. It may cause oxidization of electrode, which easily be resulted in poor soldering.
b. To store products on the shelf and avoid exposure to moisture.
c. Do not expose products to excessive shock, vibration, direct sunlight and so on.



Disclaimer

ALL PRODUCT, PRODUCT SPECIFICATIONS AND DATA ARE SUBJECT TO CHANGE WITHOUT NOTICE TO IMPROVE RELIABILITY, FUNCTION OR DESIGN OR OTHERWISE.

Vishay Intertechnology, Inc., its affiliates, agents, and employees, and all persons acting on its or their behalf (collectively, "Vishay"), disclaim any and all liability for any errors, inaccuracies or incompleteness contained in any datasheet or in any other disclosure relating to any product.

Vishay makes no warranty, representation or guarantee regarding the suitability of the products for any particular purpose or the continuing production of any product. To the maximum extent permitted by applicable law, Vishay disclaims (i) any and all liability arising out of the application or use of any product, (ii) any and all liability, including without limitation special, consequential or incidental damages, and (iii) any and all implied warranties, including warranties of fitness for particular purpose, non-infringement and merchantability.

Statements regarding the suitability of products for certain types of applications are based on Vishay's knowledge of typical requirements that are often placed on Vishay products in generic applications. Such statements are not binding statements about the suitability of products for a particular application. It is the customer's responsibility to validate that a particular product with the properties described in the product specification is suitable for use in a particular application. Parameters provided in datasheets and/or specifications may vary in different applications and performance may vary over time. All operating parameters, including typical parameters, must be validated for each customer application by the customer's technical experts. Product specifications do not expand or otherwise modify Vishay's terms and conditions of purchase, including but not limited to the warranty expressed therein.

Except as expressly indicated in writing, Vishay products are not designed for use in medical, life-saving, or life-sustaining applications or for any other application in which the failure of the Vishay product could result in personal injury or death. Customers using or selling Vishay products not expressly indicated for use in such applications do so at their own risk and agree to fully indemnify and hold Vishay and its distributors harmless from and against any and all claims, liabilities, expenses and damages arising or resulting in connection with such use or sale, including attorneys fees, even if such claim alleges that Vishay or its distributor was negligent regarding the design or manufacture of the part. Please contact authorized Vishay personnel to obtain written terms and conditions regarding products designed for such applications.

No license, express or implied, by estoppel or otherwise, to any intellectual property rights is granted by this document or by any conduct of Vishay. Product names and markings noted herein may be trademarks of their respective owners.

Material Category Policy

Vishay Intertechnology, Inc. hereby certifies that all its products that are identified as RoHS-Compliant fulfill the definitions and restrictions defined under Directive 2011/65/EU of The European Parliament and of the Council of June 8, 2011 on the restriction of the use of certain hazardous substances in electrical and electronic equipment (EEE) - recast, unless otherwise specified as non-compliant.

Please note that some Vishay documentation may still make reference to RoHS Directive 2002/95/EC. We confirm that all the products identified as being compliant to Directive 2002/95/EC conform to Directive 2011/65/EU.

X-ON Electronics

Largest Supplier of Electrical and Electronic Components

Click to view similar products for [Multilayer Ceramic Capacitors MLCC - SMD/SMT](#) category:

Click to view products by [Vishay](#) manufacturer:

Other Similar products are found below :

[M39014/01-1467](#) [M39014/02-1218V](#) [M39014/02-1225V](#) [M39014/02-1262V](#) [M39014/02-1301](#) [M39014/22-0631](#) [1210J5000102JCT](#)
[1210J2K00102KXT](#) [1210J5000103KXT](#) [1210J5000223KXT](#) [D55342E07B379BR-TR](#) [D55342E07B523DR-T/R](#) [1812J1K00103KXT](#)
[1812J1K00473KXT](#) [1812J2K00680JCT](#) [1812J4K00102MXT](#) [1812J5000102JCT](#) [1812J5000103JCT](#) [1812J5000682JCT](#) [NIN-FB391JTRF](#)
[NIN-FC2R7JTRF](#) [NPIS27H102MTRF](#) [C1206C101J1GAC](#) [C1608C0G1E472JT000N](#) [C2012C0G2A472J](#) [2220J2K00101JCT](#)
[KHC201E225M76N0T00](#) [LRC-LRF1206LF-01R025FTR1K](#) [1812J1K00222JCT](#) [1812J2K00102KXT](#) [1812J2K00222KXT](#)
[1812J2K00472KXT](#) [2-1622820-7-CUT-TAPE](#) [2220J3K00102KXT](#) [2225J2500824KXT](#) [CCR07CG103KM](#) [CGA2B2C0G1H010C](#)
[CGA2B2C0G1H040C](#) [CGA2B2C0G1H050C](#) [CGA2B2C0G1H060D](#) [CGA2B2C0G1H070D](#) [CGA2B2C0G1H151J](#) [CGA2B2C0G1H1R5C](#)
[CGA2B2C0G1H2R2C](#) [CGA2B2C0G1H3R3C](#) [CGA2B2C0G1H680J](#) [CGA2B2C0G1H6R8D](#) [CGA2B2X8R1H221K](#) [CGA2B2X8R1H472K](#)
[CGA3E1X7R1C474K](#)