

Headquarters:
Wieland Electric GmbH
Brennerstraße 10-14
D-96052 Bamberg

Sales and Marketing Center:
Wieland Electric GmbH
Benzstraße 9
D-96052 Bamberg

Phone +49 (0951) 9324-0
Fax +49 (0951) 9324-198
www.wieland-electric.com
www.gesis.com
www.gesis-network.com
info@wieland-electric.com

Industrial technology

- Solutions for the control cabinet
- DIN rail terminal blocks
 - Screw, spring clamp or IDC connection technology
 - Wire cross sections up to 240 mm²
 - Numerous special functions
 - Software solutions interfacing to CAE systems
 - Safety
 - Safety sensors
 - Safety relays
 - Modular safety systems with fieldbus link
 - PLC and fieldbus components
 - Standard applications in IP20
 - Increased environmental conditions with railroad and ship approvals
 - Interface
 - Coupling relays, semiconductor switches
 - Measuring and monitoring relays
 - Timer and switching relays
 - Analog modules
 - Passive interfaces
 - Power supply units
 - Overvoltage protection

Solutions for field applications

- Remote automation technology
 - Power distribution
 - Fieldbus interfaces and motor starters
- Connectors for industrial applications
 - Square and round connectors
 - Aluminum or plastic housings
 - Degree of protection up to IP68
 - Current-carrying capacity up to 100A
 - Connectors for hazardous areas
 - Modular, application specific technology

PC board terminals and connectors

- Screw or spring clamp connection technology
- Spacings: 3.5mm to 10.16mm
- Reflow or wave soldering process

Building and installation technology

- Building installation systems
 - Main power supply connectors IP20/IP65...IP68
 - Bus connectors
 - Combined connectors
 - Low-voltage connectors
 - Power distribution system with flat cables
 - Distribution systems
 - Bus systems in KNX, LON and radio technology
 - DIN rail terminal blocks for electrical installations
 - Overvoltage protection

selos



selos
DIN Rail Terminal Blocks
with Screw Connection

DIN rail terminal blocks
with screw connection
selos

Technical information

- The information regarding cross sectional area and connection types pertains to unprepared wires without ferrules!
Ferrules are not necessary for secure connection!
Whenever ferrules are used, make sure that the tools specified by the manufacturer are used exclusively.
- The voltage ratings apply to the terminals in their intended application. When different products are mounted adjacent to each other, the proper isolation distances must be adhered to.
- If the ground blocks of the **selos** product family are not used in block assemblies, but are mounted to the rail as single terminal blocks, end clamps have to be used.
- A detailed description of technical data, the standards requirements, and the application conditions are available under **facts & DATA**.

ATEX regulation

- For the use of DIN rail terminal blocks in Ex areas, the regulations of EN60079-0 apply; whereas for increased safety Ex e the regulations of EN60079-7 must be followed. For an approximation of the laws of the EU member states directive 94/9/EG was created, which is generally known as ATEX 100a and which is the basis for harmonization in this field. ATEX stands for "atmosphere explosive" while 100a refers to the corresponding article of the EC contract.
- Directive ATEX 100a applies for protection against dust and gas explosions in all industrial Ex areas and in mining.
The testing and certifying institutes named in directive ATEX 100a must follow accreditation procedures which are the same throughout Europe.
- In accordance with EN60079-0/60079-7 and ATEX 100a, these certifying institutes write out EC certificates for prototype tests. These prototype test certificates for components together with the corresponding quality system certification of the supplier are required to obtain the so-called ATEX approval.
- In combination with the -mark, the markings of the Wieland terminal blocks have the following meanings:

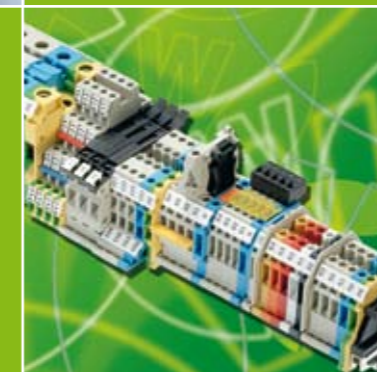
	Identification
II	Device group
2	Category
G D	Areas
KEMA	Name of testing institute
ATEX...	Certificate, year of testing, number

Mounting instructions for Ex e applications:

- If feed-through blocks are mounted directly adjacent to other feed-through blocks of a different size, or directly adjacent to ground blocks, the open side of the block group of the same type must be covered by an end plate or partition.
- If adjacent DIN rail terminal blocks are jumpered or if jumpered DIN rail terminal blocks are positioned next to unjumpered DIN rail terminal blocks, a partition plate must be inserted between the individual terminal block groups or at the beginning and end of a laterally or longitudinally connected terminal block (group) in order to meet the specified isolation distances. Notched out and jumpering cross connectors can not be used in Ex areas.
- If the terminal blocks are combined with other certified series and sizes and when their accessories are used, the required creepage distances and clearances must be adhered to.
- The feed through terminal blocks and protective conductor terminal blocks are suitable for enclosures for use in explosive gas atmospheres or for use in the presence of combustible dust. For explosive gas atmospheres these enclosures must satisfy the requirements of EN 60079-0 and EN 60079-7. For combustible dust these enclosures must satisfy the requirements of EN 61241-0 and EN 61241-1 .
- The indicated values for the current carrying capability refer to a maximum ambient temperature of 40°C. When the terminal blocks are loaded with the maximum rated current the temperature rise will be max. 40K.

DQS certification
for all company sectors

- Quality standard as per DIN ISO9001 in Development, Production and Assembly
- Continued control of the quality standard by means of regular internal and external quality audits
- Compatible with certificates of other countries:
 - BSI Certificate, Great Britain
 - SQS Certificate, Switzerland
 - Aib-Vincotte Certificate, Belgium
 - ÖQS Certificate, Austria



contacts
are
green.

Product Range

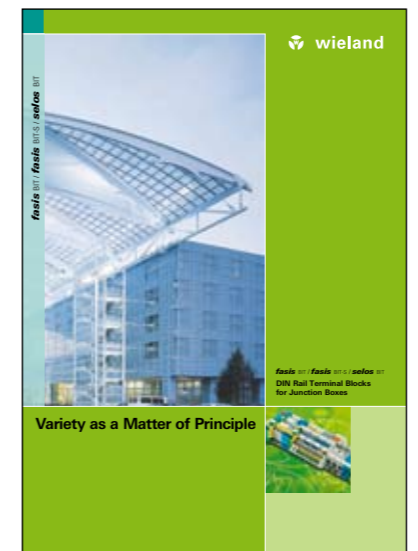
0125.0 C 01/09

Professional
Screw Technology

DIN rail terminal blocks
with screw connection
selos
















selos

Page 12/13	WK 2,5/U	WK 4/U	WK 6/U	WKN 10/U	WKN 16/U
Page 14/15	WKN 35/U	WKN 70/U	WKN 150/U		
Page 16/17	WKN 4 ETK/U	WKN 10 ETK/U	WKN 16 ETK/U		
Page 18/19	WK 2,5 SL	WK 4 SL	WK 6 SL	WKN 10 SL	WKN 16 SL
Page 20/21	WKN 35 SL/U	WKN 70 SL/U	9700 A/35 E S	9700 A/70 E S	Supply set
Page 22/23	WK 4/D/1/2/U	WK 4/D/2/2/U	WK 4/D E/U	WK 4/D/2/2SL/U	
Page 24/25	WK 4 E/U	WK 4 E/U/VB	WK 4 E/U	WK 4 E/rot	WK 4 E SL/U
Page 26/27	WKN 2,5 E/U	WKN 2,5 E/U/VB			
Page 28/29	WK 2,5-4 KI/U	WK 2,5-3 D/U	WK 2,5-4 KI/SL	WK 2,5-3 D/SL	
Page 30/31	WK 2,5-4 KOI/U	WK 2,5-4 KOI/U-NGN	WK 2,5-4 KOI/U-PGN		
Page 32/33	WK 4 TKG... THSI 5x20	WK 4 TKG... THSI 6,3x32	WK 4/TKM	WK 4 TKG-TRST/U	WK 4 TKS D/U
Page 34/35	WK 4 TKG... SIST	WK 4 TKG... DIST	WK 4/SI-D/U 5 x 25		
Page 36/37	WK 4 THSI 5x20/U	WK 4 THSI 6,3x32/U	WK 10/SI.../U	WK 10/SI/U with indicator	WK 10/SI/U D



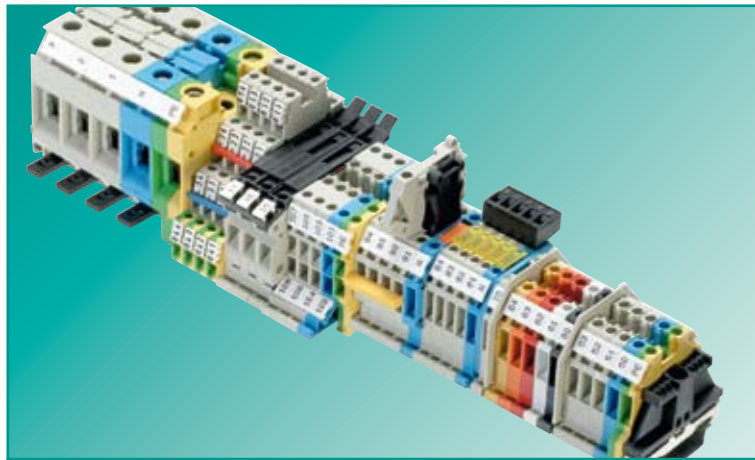
Catalog section
**DIN Rail Terminal Blocks
for Junction Boxes**
Part no. 0117.0

WK 2,5/U	WK 4/U	WKI 10/U	WKI 16/U	WKI 35/U
WKN 4 ETK/U	WKI 10 ETK/U	WKI 16 ETK/U		
WK 2,5 SL/35	WK 4 SL/35	WK 10 SL/35	WK 16 SL/35	WK 35 SL/35
WKI 10 PEN/35	WKI 16 PEN/35	WKI 35 PEN/35		
WKI 4 DU	WKI 4 D-D	WKI 4 D-D-SL	WKI 4 N-D-SL	WKI 4 NT-D-SL (-GL)
WKI 4 NTN-D-SL	WKI 4 TKG-D-SL			

Page 38/39	 9700 B/30 Si E 14/S 35	 9700 B/30 Si E 18/S 35			
Page 40/41	 9785 U/...	 9785 U/... - SPT	 9786 U/TSK...	 9760 U/8 TKE...	
Page 42/43	 WK 2,5 U/D/8113 S/V	 WK 2,5 U/8113 S/V	 WK 2,5 U/D/8113 S/H	 Typ 8113 B/..., 8313 B/...	 Typ 8113 B/... VR
Page 44/45	 WK 4 3-6 S 1 K/U	 WK 4 5 S 2,8 1 K/U	 WK 4-3-6 S 1 K/IW/U	 WK 4-5 S 2,8 1 K/IW/U	 WK/5-10 S/U
Page 46/47	 WK/3-6 S/IW/U	 WK/3-6 S/U	 WK/4-8 S/IW/U	 WK/4-8 S/U	 WK/3-6 S KO/U
Page 50/51			 WKN 6 TK		
Page 52/53			 WK6 TK/35	 WK6 TK P3/35	
Page 54/55			 BK M 10/35		
Page 56/57	 RFK 1/95... S35	 RFK 1/150... S35	 RFK 1/185... S35	 RFK 1/240... S35	
Page 58/59	 WKM 2,5/15	 WKM 4/15	 WKM 4 SL/15	 WKM 2,5 F1/15	 WKM 2,5 F2/15
Page 60-67	 Cross connectors	 Cover strips with warning symbol	 Test plug/Short-circuit plug	 Screw driver	 TS 35 x 15
Page 68-77	 End clamp for TS 35	 Configuration software	 Plotter system wieplot 500	 Marking material	 Pressing tool

DIN rail terminal blocks with screw connection

selos



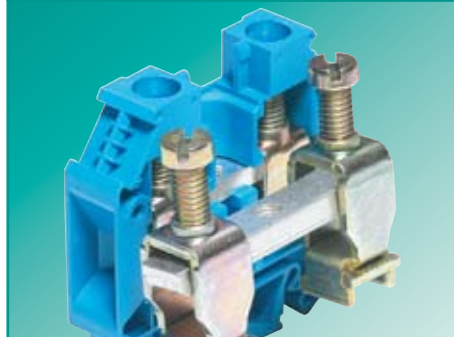
Wieland Electric offers you selos wkn – a complete assortment of DIN rail terminal blocks with screw connection technology.

The portfolio includes feed through and ground blocks with 2, 3 or 4-wire connection points, multi-tier blocks in two and three-tier design, knife edge disconnect blocks and fuse blocks. In addition, function blocks are available with a wide variety of diode circuits as well as diverse, special application – specific blocks (e.g., measuring converter disconnect blocks or compensating terminals).

selos is designed for use in mechanical and plant engineering as well as in explosion-protected areas.

Technical data as per EN 60947-7:

Rated cross section: 2.5 mm²-240 mm²
 Rated current: Up to 415 A
 Rated voltage: 800/500 V



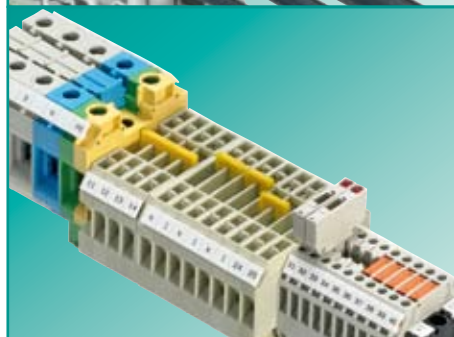
Classical connection

- Globally recognized, proven and self-explanatory connection technology
- Space-saving, compact design with side wire entry
- Reliable and maintenance-friendly electrical connection
- with maximum contact strength



Universal use

- Flexible connection of different wire sizes via large connection capability of the clamping points
- Simple expansion or potential distribution via multi-wire connection
- Connection of fine-wire conductors with ferrules up to the rated cross section
- Low feed-through resistance due to large contact surface and good contact strength



Many uses

- DIN rail terminal block solutions for all conventional circuiting jobs and functions
- Special blocks for branch-specific applications
- Extensive accessories for function expansion
- Global, national and branch-specific approvals for use around the world



Clear marking

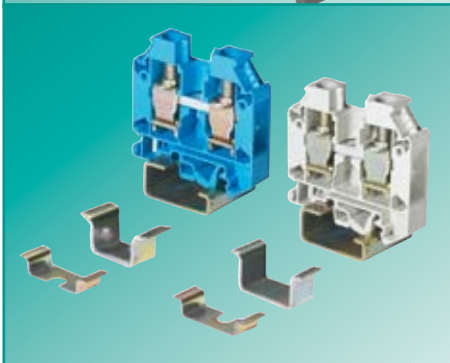
- Clearly legible marking tags even after wires are connected
- Unmistakable wire-termination point assignment during wiring
- Simplified trouble-shooting in case of maintenance
- Individual marking with the **wiemarc** marking system



Screw connection technology

Rising cage connection with elastic clamping body

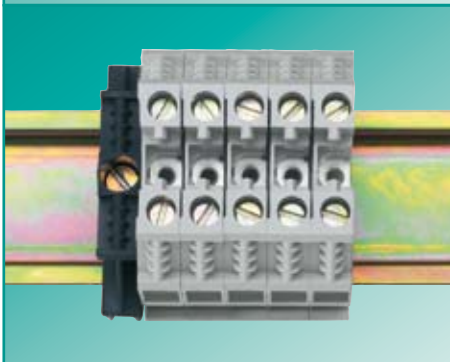
- Maximum possible stable contact strength regardless of cross section
- Functional dependability – no damage to the screw's threading even after screws are tightened and loosened several times
- Gas-proof electrical connection in accordance with approvals.



Universal foot

Universal usability on conventional types of mounting rails

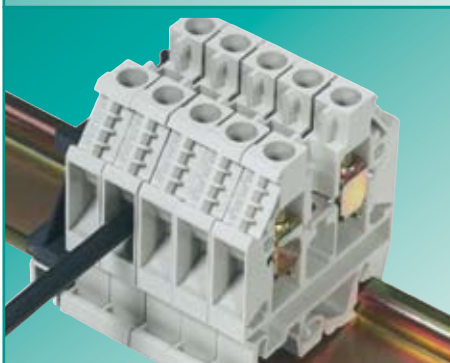
- Assembly foot for TS 35 and TS 32 as per DIN 60 715
- Seat centered to mounting rail
- Functional and mounting dependability due to asymmetrical design of the clamping foot. Incorrectly mounted blocks are detected immediately.



Guide ducts

Enclosed guide ducts for screwdrivers

- When power screwdrivers are used, the screwdriver duct prevents the blade from slipping off.
- When clamping screws are completely screwed out, the integrated screw brake ensures that they are not lost even during over head work.



Wire entry guide

Correct and quick wiring

- User-friendliness and speed provided by the wire guide during connection
- Multi-stranded and fine-stranded wires can also be easily inserted in the terminal without ferrules.
- The connection space is open on delivery.



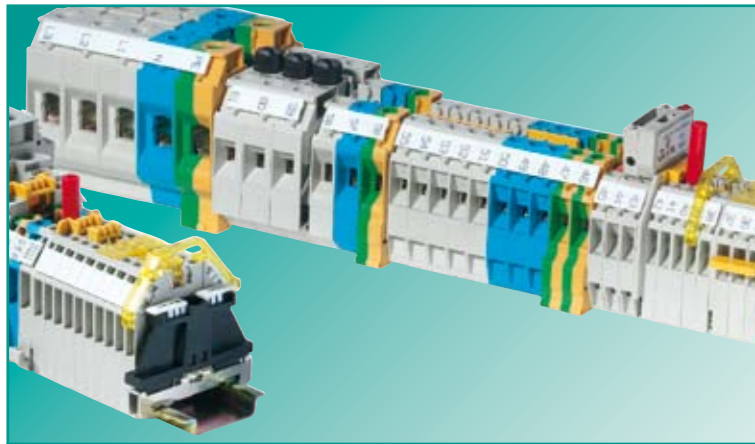
Materials

Selection of high-quality materials

- Special alloys offer low feed through resistance and ensure a gas-proof contact area:
 - Current rail: copper or brass
 - Clamping bodies and clamping screws: Zinc-plated and chromated steel
- Polyamide has excellent electrical, chemical and mechanical properties:
 - Temperature resistant: Up to 120°C
 - Creepage resistance: CTI 600
 - Flammability class: UL94-V0, self-extinguishing

DIN rail terminal blocks with screw connection

selos



Accessories for selos

We offer an extensive assortment of a wide variety of accessories to go with our **selos** screw terminal block program so that you can individually adjust Wieland DIN rail blocks to your applications.

This includes, among others, the reliable Wieland standard marking system as it is also used by our other product lines, and a complete program of cross connectors as cross connectors or combs in insulated or uninsulated design.

Various test accessories are also a standard part of the Wieland program as are connection plates, partitions, and special extra covers with warning symbol.



Marking system

All blocks clearly marked

- Large selection of marking tags with the spacing of the block
- Clearly legible marking tags even after wires are connected
- Individual marking with the **wimarc** and **wieplot** marking systems



Cross connectors

Jumpering all blocks with load-carrying capacity

- High current-carrying ability with nominal current of the rated cross section
- Available from 2 to 12-pin. Larger numbers of pins via ready made goods.
- End plates, partitions or partition plates must be used for cross connectors so that the rated voltage is maintained.
- Displaced assembly is required for blocks with different potentials.



Jumper combs

Additional jumpering option

- Jumper combs are introduced with the wire into the connection space.
- Jump combs are available in touch-proof design in accordance with BGV A2.
- When jumper combs are used, the connection cross section is reduced by one stage.
- Available from 2 to 12-pins. Larger numbers of pins via ready made goods.



End plate/partition

Insulation of potentials

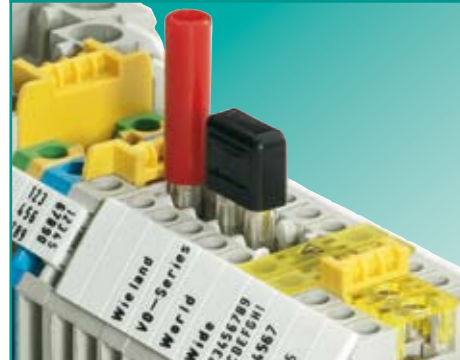
- Optical separation of individual block groups
- Adherence to air and creepage distances for cross connectors mounted next to each other
- For safety reasons partitions are constructed so that they can only be removed when the adjacent DIN rail block is also removed.



Covers

Marking potentials under voltage

- Safety due to reference to network voltage
- For snapping onto blocks which are still under voltage even though the main switch was switched off.
- Marking of the network power input
- Available as single cover or as strip



Test sockets and plugs

Checking the potentials

- Test sockets are mounted in the middle threading of the DIN rail block.
- Test plugs in 2, 3 or 4 mm design
- Short circuit plugs



Modular test adapters

Testing and commissioning terminal block assemblies

- Test with full wiring on fabricated DIN rail blocks
- Function test with modular test adapter by direct pickup from the current rail of the block
- Test adapters with locking lever can be snapped in with any number of pins.



Connection link

Connecting potentials so that they can be separated

- Easy-to-separate 2-pin cross connection
- Mounting in the middle threading of the DIN rail block



Partition plates

Insulating potentials

- To maintain the full rated voltage when cross connectors are used
- Later snap-in possible
- Marking option with the Wieland standard marking system

Configuration software for DIN rail terminal blocks, **wieplan**

selos 10.5



wieplan was developed to provide you with a powerful software tool for the configuration of terminal block assemblies using Wieland DIN rail terminal blocks.

wieplan is available in 4 languages. It is user-friendly and its intuitive user interface guides you step by step through the entire configuration process. After completion you can optionally order your configured terminal block assembly from Wieland for complete pre-assembly.

Thus **wieplan** helps you to save time and money.

Managing projects

Benefits:

- To begin each configuration you automatically start from the basic project management menu.
- You create new projects and are reliably guided through the easy and practice-oriented program logics.
- You always have the choice of either opening an already existing project or of creating a new one.

Configuring terminal block assemblies without errors

Benefits:

- You work with high-quality graphs viewing the terminal blocks from the top; the accessories added are visible at any time.
- You continually use the plausibility check that reminds you of the accessories required such as end plates.
- You are provided with a product catalog with search function; you can add your own order numbers, if required; and you can create libraries for self-defined products.

Entering order data

Benefits:

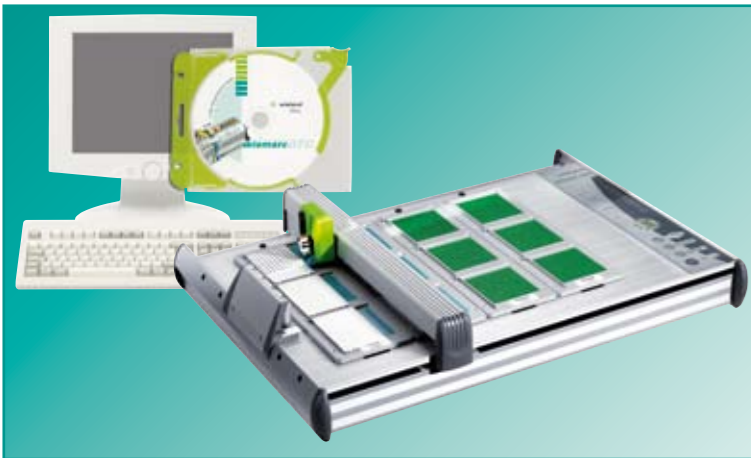
- You enter your data such as invoice and delivery address in the order data screen only once and can use this information for any follow-up orders.
- You may order by e-mail; in this case the terminal block assembly data are zipped automatically.

Terminal block assembly output

Benefits:

- You print out the order, the parts list and the drawing data, and, if required, your own order numbers.
- You create a DXF file and export the current terminal block assembly to a CAD program.
- You export the marking in CSV format including all marking data for further processing in **wiemarc**, for example.
- A bidirectional interface is available to your CAE system EPLAN.

selos



Individual marking of DIN rail terminal blocks. That is called **wiemarc** and **wieplot** at Wieland Electric. The **wieplot** software was developed to provide you with maximum flexibility in marking your terminal block assemblies. Together with **wieplot** you have a powerful marking system that enables you to work professionally from the individual marking tag to series marking of your terminal block assemblies. You feel confident with the system due to its easy handling and visual representation of your marking, even when you use it for the first time.

But **wieplot** offers even more!

In addition to the marking tags for DIN rail terminal blocks you can also print self-adhesive tags and labels or cable markings. A slight modification can even make your plotter a powerful engraving system.



**selos –
fasis –
taris**

Marking with a system

- Individual marking of all terminal blocks for clear wire/termination point assignment
- One single marking system for all designs
- Marking of individual tags; marking strips in the relevant terminal block spacing; or group markings
- Individual planning of terminal block assemblies and markings with **wieplan**



wieplot

Ready for universal use

- Marks all conventional marking systems available for DIN rail terminal blocks
- Different marking tags can be marked individually in one single work step
- Marking of labels, adhesive tags and cables is possible



wiemarc

Easy and quick

- Simple and intuitive user interface
- Direct graphical display of the marking tags including plausibility check
- Customized layouts can be created individually
- Data import from CAD, Excel, text or **wieplan** files

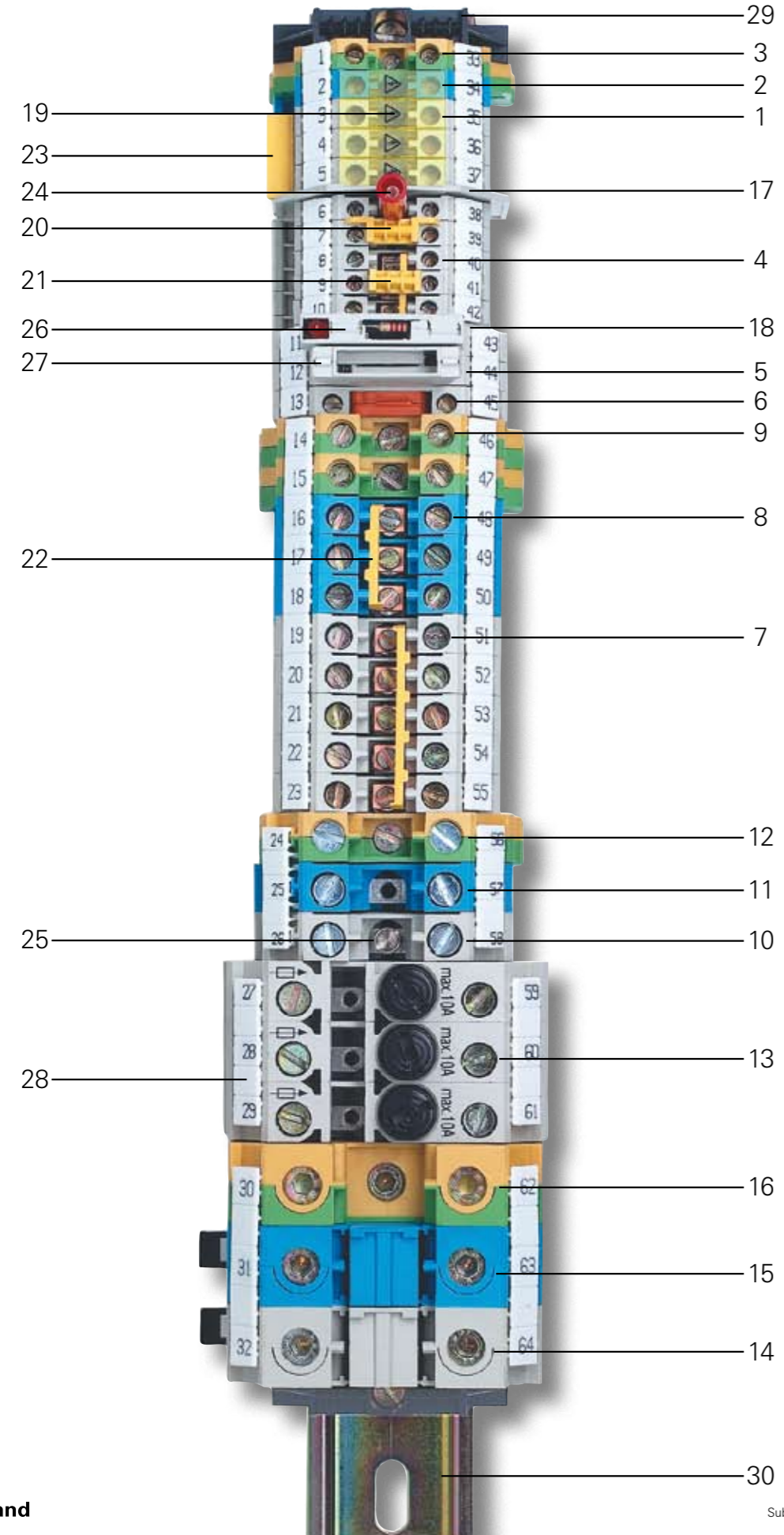


**wieplot
engraving system**

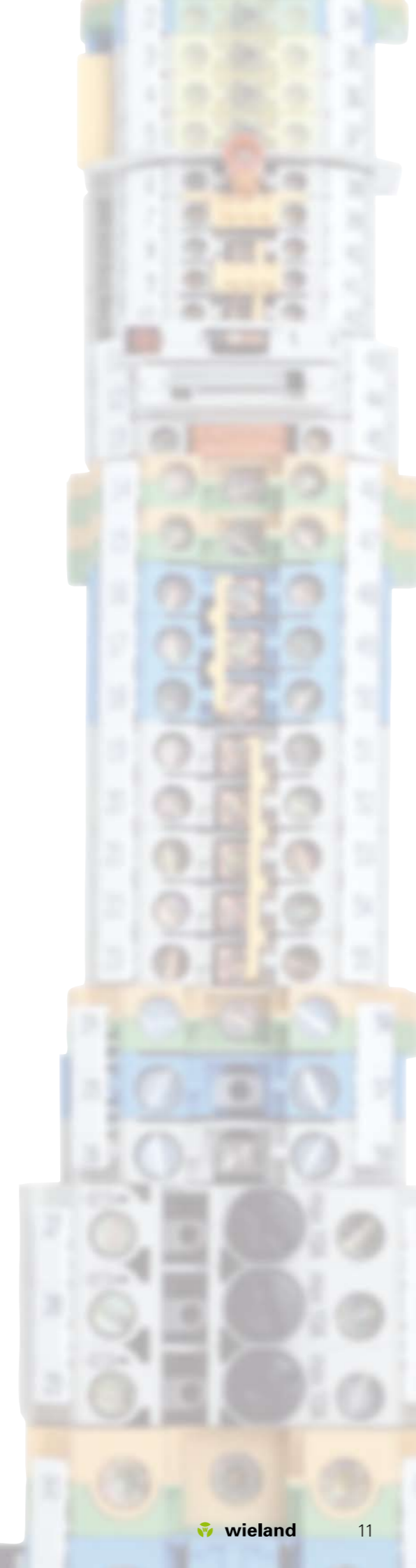
Durable and safe

- Easy modification of **wieplot** to make it an engraving system
- Engraving of multi-layer plastic boards
- Clean and dust-proof operation due to integrated suctioning device
- Create individual layouts using **wiemarc**

DIN rail terminal blocks
with screw connection
selosIOS



Pos.	Description	Type	Part number
1	Feed-through block	WK 4/U	57.504.0055.0
2	Feed-through block, blue	WK 4/U BLAU	57.504.0055.6
3	Ground block	WK 4 SL/U	57.504.9055.0
4	Feed-through block	WK 2,5/U	57.503.0055.0
5	Disconnect block	WK 4 TKG/U	57.504.4055.0
6	Knife edge disconnect block	WK 4 TKM/U	57.504.2055.0
7	Feed-through block	WK 6/U	57.506.0055.0
8	Feed-through block, blue	WK 6/U BLAU	57.506.0055.6
9	Ground block	WK 6 SL/U	57.506.9055.0
10	Feed-through block	WKN 10/U	57.510.0155.0
11	Feed-through block, blue	WKN 10/U BLAU	57.510.0155.6
12	Ground block	WKN 10 SL/U	57.510.9055.0
13	Fuse block	WK 10 SI/U 5x20	57.910.5055.0
14	Feed-through block	WKN 35/U	57.535.0155.0
15	Feed-through block, blue	WKN 35/U BLAU	57.535.0155.6
16	Ground block	WKN 35/U	57.535.9055.0
17	Partition	TW 2,5-4	07.311.1155.0
18	End plate	AP 2,5-4	07.311.0155.0
19	Cover strip with warning symbol over 4 blocks	AD VB 6/4 GELB	04.343.4856.8
20	Partition plate, yellow	TS 2,5 GELB	07.311.2053.8
21	Single cover for cross conn. with mark. facil.	AD VB 2,5 GELB	04.326.2053.8
22	Cross connector with screws, insulated	IVB WK 6-3	Z7.282.2327.0
23	Jumper comb, insulated	IVB 0,5 WK 4-3	Z7.255.0327.0
24	Test plug	ST 2/2,3	Z5.553.2921.0
25	Ring lug for test plug	9011B	05.508.3221.0
26	Fuse holder with indicator	SIST LED	Z1.299.4155.0
27	Diode plug, without contacts	DIST	Z1.299.3155.0
28	Marking strip	9705 A/8/10 B	04.842.0153.0
29	End clamp	9708/2 S35	Z5.522.8553.0
30	Mounting rail	35x27x7,5 gelocht	98.300.0000.0



Feed-through blocks with screw connection

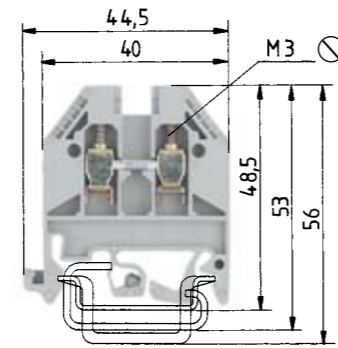
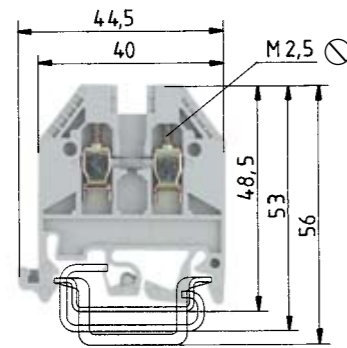
selos I/O S

UL wire connection versions

⁴⁾ or 2x no. 14 sol/str AWG
or 2x no. 16 sol/str AWG
or 2x no. 18 sol/str AWG
or 3x no. 20 sol/str AWG or 3x no. 22 sol/str AWG

⁵⁾ or 2x no. 12 sol/str AWG
or 2x no. 16 sol/str AWG
or 3x no. 18 sol/str AWG or 3x no. 22 sol/str AWG

⁶⁾ or 2x no. 12 sol/str AWG
or 2x no. 14 sol/str AWG
or 3x no. 16 sol/str AWG



0344 Ex II 2GD IM2

Ex e I/II

EN 60947-7-1:2002

UL ratings

Field/factory wiring

CSA ratings

KEMA 02 ATEX 2114 U¹⁾ EN 60079-0/EN 60079-7

Width

Wire strip length

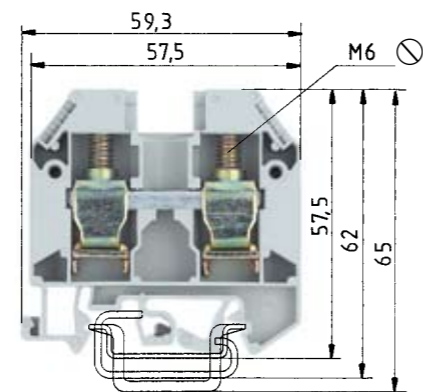
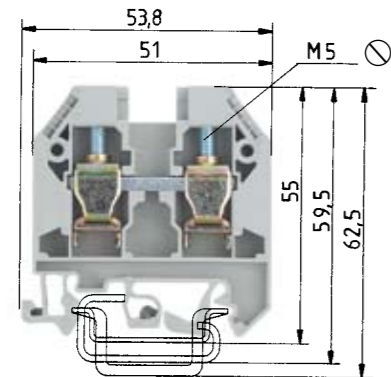
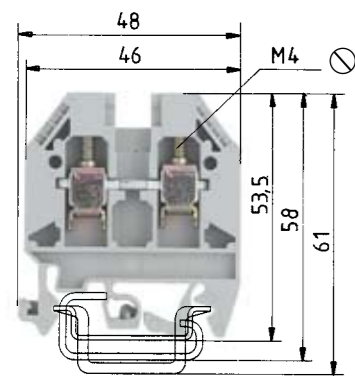
Approvals

WK 2,5/U

fine-stranded	solid	V	A	fine-stranded	solid	V	A
0.5-2.5mm ²	0.5-4mm ²	800V/8kV/3	24	0.5-4mm ²	0.5-6mm ²	800V/8kV/3	32
No. 22-12 AWG		600V	20/30	No. 22-10 AWG ⁴⁾		600V	30/35
No. 24-12 AWG		600V	25	No. 20-10 AWG		600V	40
0.5-2.5mm ²	0.5-4mm ²	690V	23	0.5-4mm ²	0.5-6mm ²	690V	14/27 ³⁾
5mm			9mm	6mm			9mm

WK 4/U

		Type	Part No.	Std. Pack	Type	Part No.	Std. Pack
Feed-through block	gray	WK 2,5/U	57.503.0055.0	100	WK 4/U	57.504.0055.0	100
Feed-through block Exi	blue	WK 2,5/U BLAU	57.503.0055.6	100	WK 4/U BLAU	57.504.0055.6	100
Accessories							
1. Mounting rail TS 35, DIN rail 7.5mm high	L = 2m	35 x 27 x 7,5 EN 60715	98.300.0000.0	1	35 x 27 x 7,5 EN 60715	98.300.0000.0	1
Mounting rail TS 35, DIN rail, 15mm high	L = 2m	35 x 24 x 15 EN 60715	98.360.0000.0	1	35 x 24 x 15 EN 60715	98.360.0000.0	1
Mounting rail TS 32, G rail ²⁾	L = 2m	9006 EN 60715 G-32	98.190.0000.0	1	9006 EN 60715 G-32	98.190.0000.0	1
2. End clamp with U-foot ²⁾	10mm wide	WE 1/U	Z5.523.5753.0	100	WE 1/U	Z5.523.5753.0	100
End clamp TS 35, with screw	8mm wide	9708/2 S35	Z5.522.8553.0	100	9708/2 S35	Z5.522.8553.0	100
End clamp TS 35, without screw	8mm wide	WEF 1/35	Z5.523.9353.0	100	WEF 1/35	Z5.523.9353.0	100
3. End plate	gray	AP 2,5 - 4	07.311.0155.0	10	AP 2,5 - 4	07.311.0155.0	10
	blue	AP 2,5 - 4 BLAU	07.311.0155.6	10	AP 2,5 - 4 BLAU	07.311.0155.6	10
4. Partition	gray	TW 2,5 - 4	07.311.1155.0	10	TW 2,5 - 4	07.311.1155.0	10
	blue	TW 2,5 - 4 BLAU	07.311.1155.6	10	TW 2,5 - 4 BLAU	07.311.1155.6	10
5. Cross connector with screws	2 pole	IVB WK 2,5 - 2	Z7.280.2227.0	10	IVB WK 4 - 2	Z7.281.1227.0	10
insulated	3 pole	IVB WK 2,5 - 3	Z7.280.2327.0	10	IVB WK 4 - 3	Z7.281.1327.0	10
	up to 12 pole	IVB WK 2,5 - 12	Z7.280.3227.0	10	IVB WK 4 - 12	Z7.281.2227.0	10
6. Partition plate with marking facility		TS 2,5 GELB	07.311.2053.8	10	TS 4 GELB	07.311.2153.8	10
7. Single cover with marking facility		AD VB 2,5 GELB	04.326.2053.8	10	AD VB 4 GELB	04.326.2153.8	10
8. Cover with warning symbol over 4 blocks		AD VB 5/4 GELB	04.343.4756.8	10	AD VB 6/4 GELB	04.343.4856.8	10
For more accessories see pages 60-77		*1) For maintaining the proper isolation distances, the open side of a feed-through terminal block as well as both sides of a jumper are to be enclosed by partitions.					
For marking systems see pages 70-75		*1) Please note the mounting instructions on the cover page. *2) Do not use in Ex environments. *3) With/without jumper					



WK 6/U

Type	Part No.	Std. Pack
fine-stranded solid	V A	
0.5-6mm ² 0.5-10mm ²	800V/8kV/3	41
No. 22-8 AWG ⁵⁾	600V	50/50
No. 20-8 AWG	600V	45
0.5-6mm ² 0.5-10mm ²	690V	35/38 ³⁾
8mm		11mm

WK 10/U

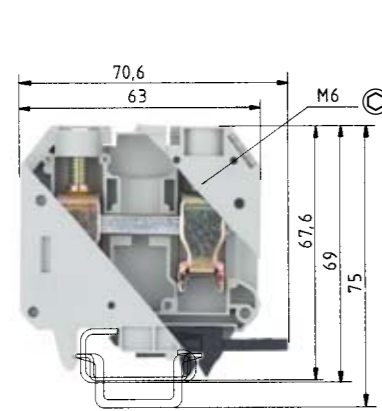
Type	Part No.	Std. Pack
fine-stranded solid/stranded	V A	
2.5-10mm ² 1.5-16mm ²	800V/8kV/3	57
No. 16-6 AWG ⁵⁾	600V	65/65
No. 16-6 AWG	600V	70
2.5-10mm ² 1.5-16mm ²	690V	43/56 ³⁾
10mm		13mm

WK 16/U

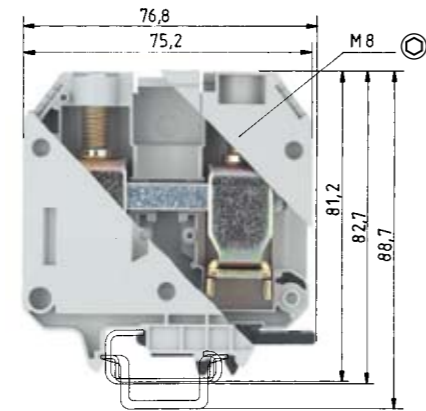
Type	Part No.	Std. Pack
fine-stranded solid/stranded	V A	
4-16mm ² 1.5-25mm ²	800V/8kV/3	76
No. 12-4 AWG	600V	85/90
No. 14-4 AWG	600V	95
4-16mm ² 1.5-25mm ²	690V*	61/71 ³⁾
12mm		15mm

Type	Part No.	Std. Pack	Type	Part No.	Std. Pack	Type	Part No.	Std. Pack
WK 6/U	57.506.0055.0	100	WKN 10/U	57.510.0155.0	50	WKN 16/U	57.516.0155.0	50
WK 6/U BLAU	57.506.0055.6	100	WKN 10/U BLAU	57.510.0155.6	50	WKN 16/U BLAU	57.516.0155.6	50
35 x 27 x 7,5 EN 60715	98.300.0000.0	1	35 x 27 x 7,5 EN 60715	98.300.0000.0	1	35 x 27 x 7,5 EN 60715	98.300.0000.0	1
35 x 24 x 15 EN 60715	98.360.0000.0	1	35 x 24 x 15 EN 60715	98.360.0000.0	1	35 x 24 x 15 EN 60715	98.360.0000.0	1
9006 EN 60715 G-32	98.190.0000.0	1	9006 EN 60715 G-32	98.190.0000.0	1	9006 EN 60715 G-32	98.190.0000.0	1
WE 1/U	Z5.523.5753.0	100	WE 1/U	Z5.523.5753.0	100	WE 1/U	Z5.523.5753.0	100
9708/2 S35	Z5.522.8553.0	100	9708/2 S35	Z5.522.8553.0	100	9708/2 S 35	Z5.522.8553.0	100
WEF 1/35	Z5.523.9353.0	100	WEF 1/35	Z5.523.9353.0	100	WEF 1/35	Z5.523.9353.0	100
AP 6	07.311.0255.0	10	APN 10	07.311.6655.0	10	APN 16	07.311.6755.0	10
AP 6 BLAU	07.311.0255.6	10	APN 10 BLAU	07.311.6655.6	10	APN 16 BLAU	07.311.6755.6	10
TW 6	07.311.1255.0	10	TWN 10	07.311.7655.0	10	TWN 16	07.311.7755.0	10
TW 6 BLAU	07.311.1255.6	10	TWN 10 BLAU	07.311.7655.6	10	TWN 16 BLAU	07.311.7755.6	10
IVB WK 6 - 2	Z7.282.2227.0	10	IVB WKN 10 - 2	Z7.283.2227.0	10	IVB WKN 16 - 2	Z7.284.2227.0	10
IVB WK 6 - 3	Z7.282.2327.0	10	IVB WKN 10 - 3	Z7.283.2327.0	10	IVB WKN 16 - 3	Z7.284.2327.0	10
IVB WK 6 - 12	Z7.282.3227.0	10	IVB WKN 10 - 12	Z7.283.3227.0	10	IVB WKN 16 - 12	Z7.284.3227.0	10
TS 6 GELB	07.311.2253.8	10	TS 10 GELB	07.311.2353.8	10	TSN 16 GELB	07.311.8453.8	10
AD VB 6 GELB	04.326.2253.8	10	AD VB 10 GELB	04.326.2353.8	10			
AD VB 8/4 GELB	04.343.4956.8	10	AD VB 10/4 GELB	04.343.5056.8	10	AD VB 12/4 GELB	04.343.5156.8	10

Feed-through blocks with screw connection



Enclosed design



Enclosed design

0344 Ex II 2GD IM2
 Ex e I/II
 EN 60947-7-1:2002
 UL ratings Field/factory wiring
 CSA ratings
 KEMA 02 ATEX 2114 U¹⁾ EN 60079-0/EN 60079-7
 Width Wire strip length
 Approvals

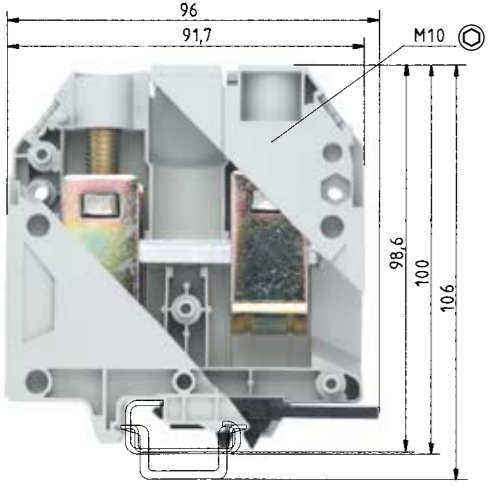
WKN 35/U
 fine-stranded stranded V A
 10-35 mm² 10-50 mm² 800V/8kV/3 125
 No. 10-2 AWG 600V 150
 No. 12-2 AWG 600V 150
 10-35 mm² 10-50 mm² 690V* 86/124³⁾
 16mm 18mm
 EPM ATEX LR 9A AEx Ex

WKN 70/U
 fine-stranded stranded V A
 10-70 mm² 16-95 mm² 800V/8kV/3 192
 No. 6-2/0 AWG 600V 175/175
 No. 6-2/0 AWG 600V 170
 10-70 mm² 16-95 mm² 690V 179/179³⁾
 24mm 24mm
 ATEX LR 9A Ex

		Type	Part No.	Std. Pack	Type	Part No.	Std. Pack
Feed-through block	gray	WKN 35/U	57.535.0155.0	20	WKN 70/U	57.570.0155.0	20
Feed-through block Exi	blue	WKN 35/U BLAU	57.535.0155.6	20	WKN 70/U BLAU	57.570.0155.6	20
Accessories							
1. Mounting rail TS 35, DIN rail 7.5mm high	L = 2m	35 x 27 x 7,5 EN 60715	98.300.0000.0	1	35 x 27 x 7,5 EN 60715	98.300.0000.0	1
Mounting rail TS 35, DIN rail, 15mm high	L = 2m	35 x 24 x 15 EN 60715	98.360.0000.0	1	35 x 24 x 15 EN 60715	98.360.0000.0	1
Mounting rail TS 32, G rail ²⁾	L = 2m	9006 EN 60715 G-32	98.190.0000.0	1	9006 EN 60715 G-32	98.190.0000.0	1
2. End clamp with U-foot ²⁾	10mm wide	WE 2/U	Z5.523.5653.0	100	WE 2/U	Z5.523.5653.0	100
End clamp TS 35, with screw	8mm wide	9708/2 S 35	Z5.522.8553.0	100	9708/2 S 35	Z5.522.8553.0	100
End clamp TS 35, without screw	8mm wide	WEF 1/35	Z5.523.9353.0	100	WEF 1/35	Z5.523.9353.0	100
3. End plate	gray						
	blue						
4. Partition	gray	TWN 35	07.311.7855.0	10	TWN 70	07.311.7955.0	10
	blue	TWN 35 BLAU	07.311.7855.6	10	TWN 70 BLAU	07.311.7955.6	10
5. Cross connector with screws	2 pole	IVB WKN 35 - 2	Z7.285.2227.0	5	VB WKN 70 - 2	Z7.286.3227.0	10
	3 pole	IVB WKN 35 - 3	Z7.285.2327.0	5	VB WKN 70 - 3	Z7.286.3327.0	10
	up to 6 pole	IVB WKN 35 - 6	Z7.285.2627.0	5	VB WKN 70 - 6	Z7.286.3627.0	10
	up to 12 pole	IVB WKN 35 - 12	Z7.285.3227.0	5			
6. Partition plate with marking facility							
7. Single cover with marking facility		AD VB 35 GELB	04.326.2553.8	10	AD VB 70 GELB	04.326.2653.8	10
8. Cover with warning symbol over 4 blocks		AD VB 16/4 GELB	04.343.5256.8	10	AD VB 24/4 GELB	04.343.5356.8	10
For more accessories see pages 60-77							
For marking systems see pages 70-75							

*1) For maintaining the proper isolation distances, the open side of a feed-through terminal block as well as both sides of a jumper are to be enclosed by partitions.
¹⁾ Please note the mounting instructions on the cover page. ²⁾ Do not use in Ex environments. ³⁾ With/without jumper

selos



Enclosed design

WKN 150/U

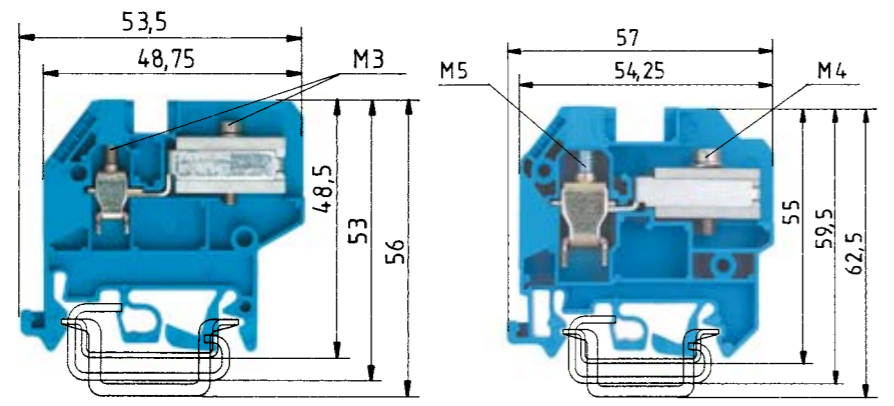
fine-stranded	stranded	V	A
35-150 mm ²	35-185 mm ²	1000 V/8 kV/3	309
No. 2/0 AWG – 350 kcmil		600 V	335/335
No. 2/0 AWG – 350 kcmil		600 V	365
35-150 mm ²	35-185 mm ²	690 V	290/309 ⁹⁾
28 mm			30 mm



Type	Part No.	Std. Pack
WKN 150/U	57.597.0155.0	10
WKN 150/U BLAU	57.597.0155.6	10
35 x 27 x 7,5 EN 60715	98.300.0000.0	1
35 x 24 x 15 EN 60715	98.360.0000.0	1
9006 EN 60715 G-32	98.190.0000.0	1
WE 2/U	Z5.523.5653.0	100
9708/2 S 35	Z5.522.8553.0	100
9708	Z5.522.7053.0	100
VB WKN 150 - 2	Z7.287.1227.0	5
VB WKN 150 - 3	Z7.287.1327.0	5
VB WKN 150 - 6	Z7.287.1627.0	5
AD VB 28/4 GELB	04.343.5456.8	10

Subject to change without further notice

Neutral disconnect blocks with screw connection

Current carrying capability:
fine-stranded: 4mm² 25 A
solid: 6mm² 30 A

Current carrying capability:
fine-stranded: 10mm² 45 A
stranded: 16mm² 50 A

WKN 4 ETK/U

fine-stranded 4mm² V A
stranded 0.5-6mm² 0.5-6mm² 400V/6kV/3*)

WKN 10 ETK/U

fine-stranded 10mm² V A
solid/stranded 1-16mm² 1-16mm² 400V/6kV/3*)

Width 6mm

9mm

10mm

13mm

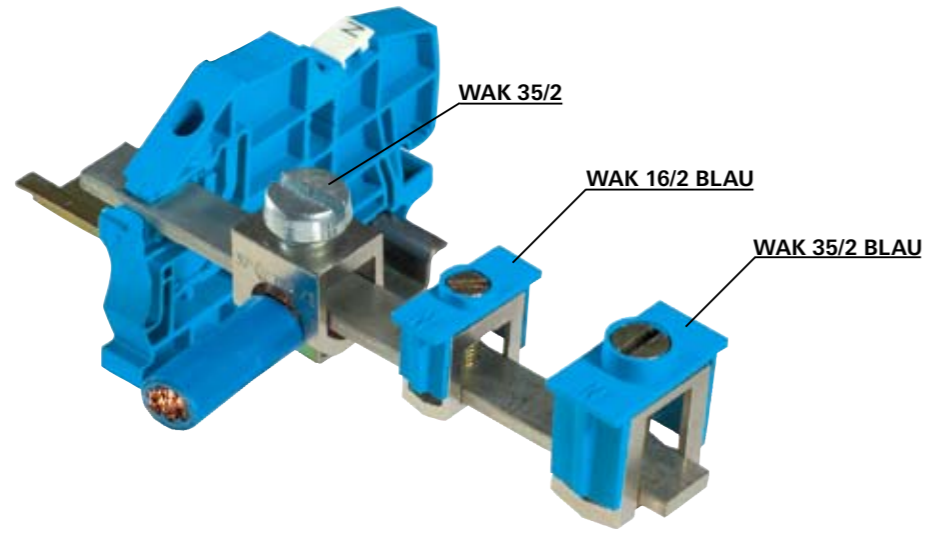
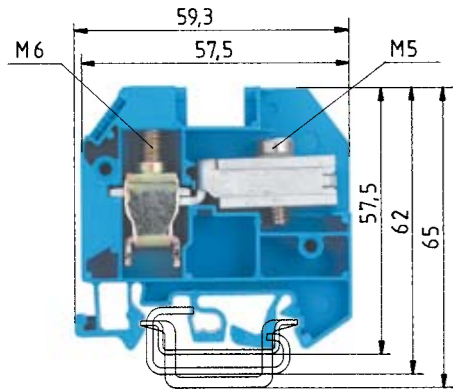
EN 60947-7-1/DIN VDE 0611 T1
UL ratings Field/factory wiring
CSA ratings
Width Wire strip length
Approvals



	Type	Part No.	Std. Pack	Type	Part No.	Std. Pack	
Neutral disconnect block	blue	WKN 4 ETK/U	57.504.8155.0	100	WKN 10 ETK/U	57.510.8155.0	50
Connector clamps for busbar	blue						
	unplated						
Accessories							
1. Mounting rail TS 35, DIN rail 7.5mm high L = 2m	35 x 27 x 7,5 EN 60715	98.300.0000.0	1	35 x 27 x 7,5 EN 60715	98.300.0000.0	1	
Mounting rail TS 35, DIN rail, 15mm high L = 2m	35 x 24 x 15 EN 60715	98.360.0000.0	1	35 x 24 x 15 EN 60715	98.360.0000.0	1	
Mounting rail TS 32, G rail ²⁾ L = 2m	9006 EN 60715 G-32	98.190.0000.0	1	9006 EN 60715 G-32	98.190.0000.0	1	
2. End clamp with U-foot ³⁾ 10mm wide	WE 1/U	Z5.523.5753.0	100	WE 1/U	Z5.523.5753.0	100	
End clamp TS 35, with screw 8mm wide	9708/2 S35	Z5.522.8553.0	100	9708/2 S35	Z5.522.8553.0	100	
End clamp TS 35, without screw 8mm wide	WEF 1/35	Z5.523.9353.0	100	WEF 1/35	Z5.523.9353.0	100	
3. End plate	gray						
	blue	APN 4 ETK	07.312.1155.0	10	APN 10 ETK	07.312.0955.0	10
4. Partition	gray						
	blue						
5. Cross connector with screws	2 pole						
	insulated						
	up to 12 pole						
6. Partition plate with marking facility							
7. Single cover with marking facility	AD VB 4 GELB	04.326.2153.8	10	AD VB 10 GELB	04.326.2353.8	10	
8. Cover with warning symbol over 4 blocks							
9. Busbar, E-Cu, 10x3mm, blank, I _n =14 L = 1m	9813 M	98.290.0000.0	1	9813 M	98.290.0000.0	1	
Busbar, E-Cu, 10x3mm, zinc-plated, I _n =?? L = 1m	9813 M SN	98.290.1000.0	1	9813 M SN	98.290.1000.0	1	
10. Connection clamp f. busbar	8.5mm wide	WAK 16/2 BLAU	30.494.3021.6	100	WAK 16/2 BLAU	30.494.3021.6	100
	12.5mm wide	WAK 35/2 BLAU	30.494.4021.6	100	WAK 35/2 BLAU	30.494.4021.6	100
	17mm wide	WAK 35/2	30.494.4121.0	50	WAK 35/2	30.494.4121.0	50
11. Rail holder	8mm wide	WKIF SH/E/35	Z1.108.8953.0	100	WKIF SH/E/35	Z1.108.8953.0	100
For more accessories see pages 60-77							
For marking systems see pages 70-75							

*) For use in grounded networks 690/400V

Connector clamps for Cu busbar (10 x 3 mm)



Current carrying capability:
 fine-stranded: 16 mm² 62 A
 stranded: 25 mm² 67 A

EN 60 998-2-1 CCA/CH

EN 60 998-2-1 CCA/CH

WKN 16 ETK/U

fine-stranded solid/stranded V A
 4-16mm² 4-25mm² 400V/6kV/3¹)

WAK 16/2

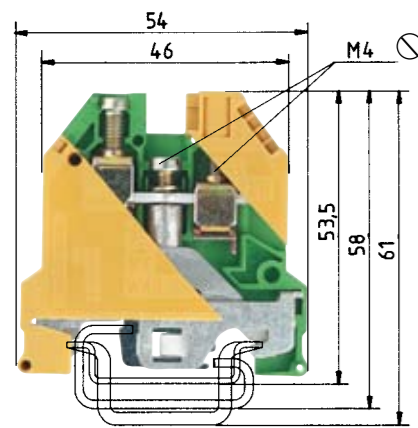
fine-stranded stranded V A
 1,5-16mm² 10-16mm²

WAK 35/2

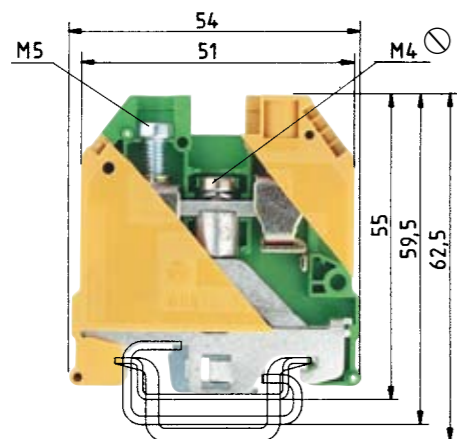
fine-stranded stranded V A
 76 16-35mm² 16-35mm² 125

12mm 15mm 8,4mm 16mm 17mm 14mm

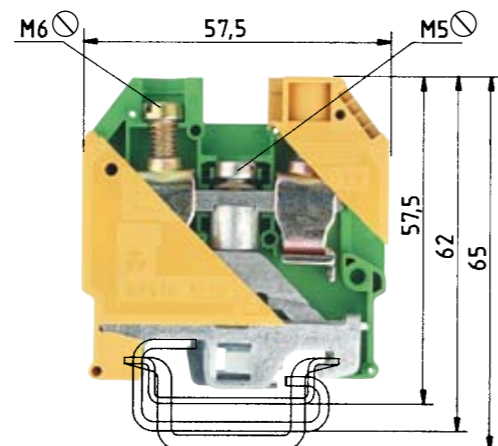
Type	Part No.	Std. Pack	Type	Part No.	Std. Pack	Type	Part No.	Std. Pack
WKN 16 ETK/U	57.516.8155.0	50	WAK 16/2 BLAU	30.494.3021.6	100	WAK 35/2 BLAU	30.494.4021.6	100
						WAK 35/2	30.494.4121.0	50
35 x 27 x 7,5 EN 60715	98.300.0000.0	1	35 x 27 x 7,5 EN 60715	98.300.0000.0	1	35 x 27 x 7,5 EN 60715	98.300.0000.0	1
35 x 24 x 15 EN 60715	98.360.0000.0	1	35 x 24 x 15 EN 60715	98.360.0000.0	1	35 x 24 x 15 EN 60715	98.360.0000.0	1
9006 EN 60715 G-32	98.190.0000.0	1	9006 EN 60715 G-32	98.190.0000.0	1	9006 EN 60715 G-32	98.190.0000.0	1
WE 1/U	Z5.523.5753.0	100	WE 1/U	Z5.523.5753.0	100	WE 1/U	Z5.523.5753.0	100
9708/2 S35	Z5.522.8553.0	100	9708/2 S35	Z5.522.8553.0	100	9708/2 S35	Z5.522.8553.0	100
WEF 1/35	Z5.523.9353.0	100	WEF 1/35	Z5.523.9353.0	100	WEF 1/35	Z5.523.9353.0	100
APN 16 ETK	07.312.0855.0	10	APN 16 ETK	07.312.0855.0	10	APN 16 ETK	07.312.0855.0	10
AD VB 16 GELB	04.326.2453.8	10	AD VB 16 GELB	04.326.2453.8	10	AD VB 16 GELB	04.326.2453.8	10
9813 M	98.290.0000.0	1	9813 M	98.290.0000.0	1	9813 M	98.290.0000.0	1
9813 M SN	98.290.1000.0	1	9813 M SN	98.290.1000.0	1	9813 M SN	98.290.1000.0	1
WAK 16/2 BLAU	30.494.3021.6	100	WAK 16/2 BLAU	30.494.3021.6	100	WAK 16/2 BLAU	30.494.3021.6	100
WAK 35/2 BLAU	30.494.4021.6	100	WAK 35/2 BLAU	30.494.4021.6	100	WAK 35/2 BLAU	30.494.4021.6	100
WAK 35/2	30.494.4121.0	50	WAK 35/2	30.494.4121.0	50	WAK 35/2	30.494.4121.0	50
WKIF SH/E/35	Z1.108.8953.0	100	WKIF SH/E/35	Z1.108.8953.0	100	WKIF SH/E/35	Z1.108.8953.0	100



Enclosed design



Enclosed design



Enclosed design

WK 6 SL/U

fine-stranded solid V A
 0.5-6mm² 0.5-0mm² 800V/8kV/3⁴⁾ 3)
 No. 22-8 AWG
 No. 20-8 AWG
 0.5-6mm² 0.5-10mm²
 8mm
 12mm
 EPM ATEX LR AEx Ex

WKN 10 SL/U

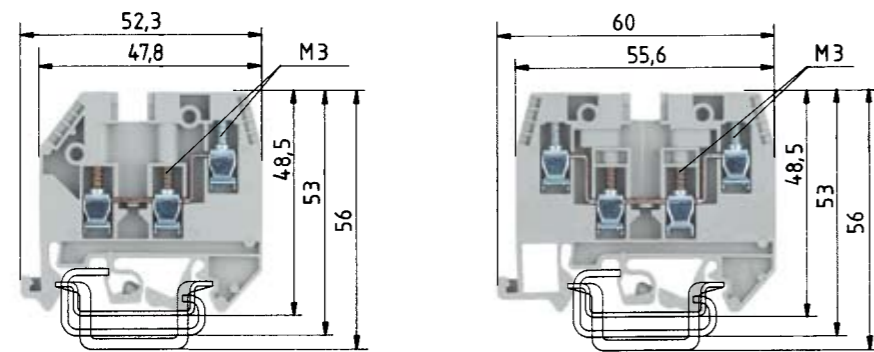
fine-stranded solid/stranded V A
 2.5-10mm² 1.5-16mm² 800V/8kV/3⁴⁾ 3)
 No. 16-6 AWG
 No. 16-6 AWG
 2.5-10mm² 1.5-16mm²
 10mm
 13mm
 EPM ATEX LR AEx Ex

WKN 16 SL/U

fine-stranded solid/stranded V A
 4-16mm² 1.5-25mm² 800V/8kV/3⁴⁾ 3)
 No. 12-4 AWG
 No. 14-4 AWG
 4-16mm² 1.5-25mm²
 12mm
 15mm
 EPM ATEX LR AEx Ex

Type	Part No.	Std. Pack	Type	Part No.	Std. Pack	Type	Part No.	Std. Pack
WK 6 SL/U	57.506.9055.0	100	WKN 10 SL/U	57.510.9055.0	50	WKN 16 SL/U	57.516.9055.0	50
35 x 27 x 7,5 EN 60715	98.300.0000.0	1	35 x 27 x 7,5 EN 60715	98.300.0000.0	1	35 x 27 x 7,5 EN 60715	98.300.0000.0	1
35 x 24 x 15 EN 60715	98.360.0000.0	1	35 x 24 x 15 EN 60715	98.360.0000.0	1	35 x 24 x 15 EN 60715	98.360.0000.0	1
9006 EN 60715 G-32	98.190.0000.0	1	9006 EN 60715 G-32	98.190.0000.0	1	9006 EN 60715 G-32	98.190.0000.0	1
WE 1/U	Z5.523.5753.0	100	WE 1/U	Z5.523.5753.0	100	WE 1/U	Z5.523.5753.0	100
9708/2 S35	Z5.522.8553.0	100	9708/2 S35	Z5.522.8553.0	100	9708/2 S35	Z5.522.8553.0	100
WEF 1/35	Z5.523.9353.0	100	WEF 1/35	Z5.523.9353.0	100	WEF 1/35	Z5.523.9353.0	100

Duo feed-through blocks with screw connection

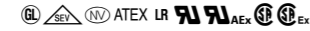



0344 Ex II 2GD IM2
 Ex e I/II
 EN 60947-7-1:2002
 UL ratings Field/factory wiring
 CSA ratings No. 20-10 AWG
 KEMA 02 ATEX 2114 U¹⁾ EN 60079-0/EN 60079-7
 Width 6mm
 Wire strip length 9mm
 Approvals

WK 4/D 1/2 /U

fine-stranded solid V A
 0.5-4mm² 0.5-6mm² 800V²⁾/6kV/3 32

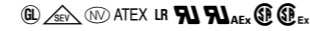
No. 22-10 AWG 600V 30
 No. 20-10 AWG 600V 30
 0.5-4mm² 0.5-6mm² 690V 30/30²⁾

6mm 9mm


WK 4/D 2/2 /U

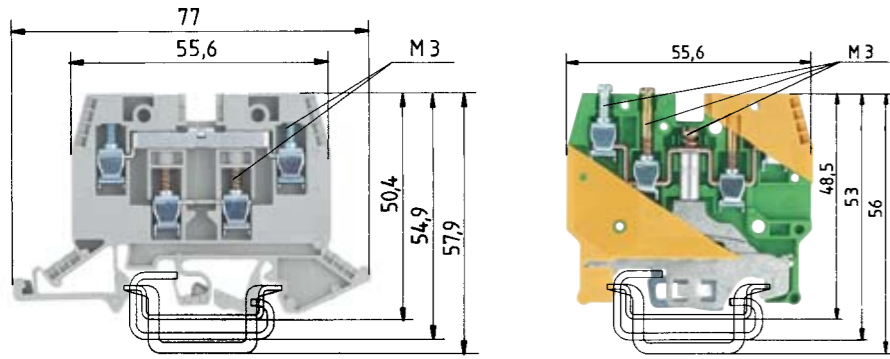
fine-stranded solid V A
 0.5-4mm² 0.5-6mm² 800V²⁾/6kV/3 32

No. 22-10 AWG 600V 30
 No. 20-10 AWG 600V 30
 0.5-4mm² 0.5-6mm² 690V 29/30²⁾

6mm 9mm


		Type	Part No.	Std. Pack	Type	Part No.	Std. Pack
Duo feed-through block	gray	WK 4/D 1/2 /U	57.504.5055.0	100	WK 4/D 2/2 /U	57.504.5155.0	100
Duo feed-through block	blue	WK 4/D 1/2 /U BLAU	57.504.5055.6	100	WK 4/D 2/2 /U BLAU	57.504.5155.6	100
Duo multi-tier block	gray						
Duo ground block	green/yellow						
Accessories							
1. Mounting rail TS 35, DIN rail 7.5mm high	L = 2m	35 x 27 x 7.5 EN 60715	98.300.0000.0	1	35 x 27 x 7.5 EN 60715	98.300.0000.0	1
Mounting rail TS 35, DIN rail, 15mm high	L = 2m	35 x 24 x 15 EN 60715	98.360.0000.0	1	35 x 24 x 15 EN 60715	98.360.0000.0	1
Mounting rail TS 32, G rail*	L = 2m	9006 EN 60715 G-32	98.190.0000.0	1	9006 EN 60715 G-32	98.190.0000.0	1
2. End clamp with U-foot*	10mm wide	WE 1/U	Z5.523.5753.0	100	WE 1/U	Z5.523.5753.0	100
End clamp TS 35, with screw	8mm wide	9708/2 S 35	Z5.522.8553.0	100	9708/2 S 35	Z5.522.8553.0	100
End clamp TS 35, without screw	8mm wide	WEF 1/35	Z5.523.9353.0	100	WEF 1/35	Z5.523.9353.0	100
3. End plate	gray	AP 4/D 1/2	07.311.6455.0	10	AP 4/D..	07.311.6355.0	10
	blue	AP 4/D 1/2 BLAU	07.311.6455.6	10	AP 4/D.. BLAU	07.311.6355.6	10
4. Partition	gray						
	blue						
5. Cross connector with screws	2 pole	IVB WK 4 D...-2	Z7.281.7227.0	10	IVB WK 4 D...-2	Z7.281.7227.0	10
insulated	3 pole	IVB WK 4 D...-3	Z7.281.7327.0	10	IVB WK 4 D...-3	Z7.281.7327.0	10
	up to 12 pole	IVB WK 4 D...-12	Z7.281.8227.0	10	IVB WK 4 D...-12	Z7.281.8227.0	10
Jumper comb for lower tier blocks	2 pole	IVK WK 4/D...-2	Z7.256.2227.0	10	IVK WK 4/D...-2	Z7.256.2227.0	10
insulated	3 pole	IVK WK 4/D...-3	Z7.256.2327.0	10	IVK WK 4/D...-3	Z7.256.2327.0	10
	up to 12 pole	IVK WK 4/D...-12	Z7.256.3227.0	10	IVK WK 4/D...-12	Z7.256.3227.0	10
6. Partition plate with marking facility		TS 4/15 GELB	07.311.2953.8	10	TS 4/15 GELB	07.311.2953.8	10
7. Single cover with marking facility		AD VB 4 GELB	04.326.2153.8	10	AD VB 4 GELB	04.326.2153.8	10
8. Cover with warning symbol over 4 blocks							
For more accessories see pages 60-77							
For marking systems see pages 70-75							

¹⁾ Please note the mounting instructions on the cover page. ²⁾ With/without jumper
³⁾ For the current carrying capability of the mounting rail see AT catalog section **facts & DATA**. * Do not use in Ex environments.
⁴⁾ Ratings to adjacent feed-through blocks of the same series and size.



Enclosed design

WK 4/D EU

fine-stranded solid V A
0.5-4 mm² 0.5-6 mm² 320 V/4 kV/3⁵⁾ 32

No. 22-10 AWG 300 V⁶⁾ 30
No. 20-12 AWG 300 V C/600 V D, E⁶⁾ 30
0.5-4 mm² 0.5-6 mm² 275 V⁶⁾ 22/22⁷⁾
6 mm 9 mm

WK 4/D 2/2 SL U

fine-stranded solid V A
0.5-4 mm² 0.5-6 mm² 3³⁾

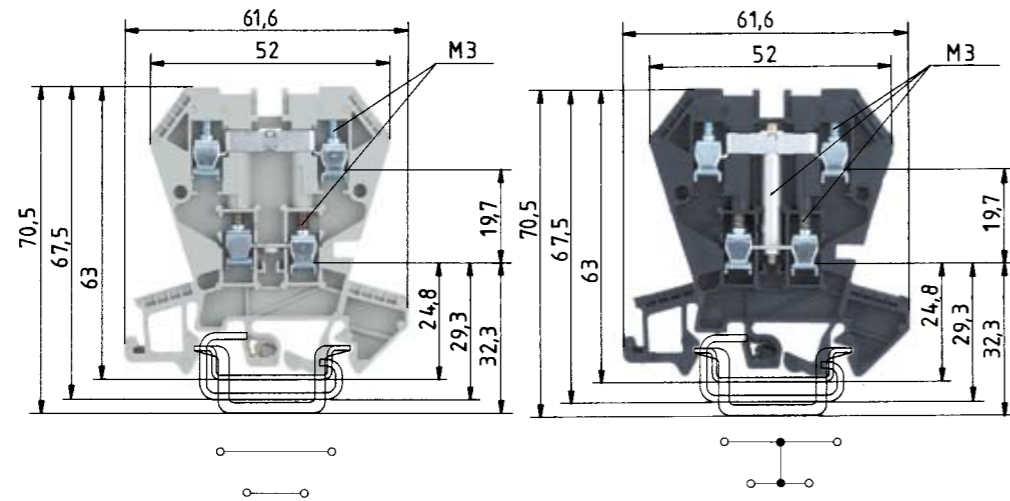
No. 22-10 AWG
No. 20-12 AWG
0.5-4 mm² 0.5-6 mm²
6 mm 9 mm

Type	Part No.	Std. Pack	Type	Part No.	Std. Pack
WK 4/D EU	57.504.5255.0	100	WK 4/D 2/2 SL U	57.504.9155.0	100
35 x 27 x 7,5 EN 60715	98.300.0000.0	1	35 x 27 x 7,5 EN 60715	98.300.0000.0	1
35 x 24 x 15 EN 60715	98.360.0000.0	1	35 x 24 x 15 EN 60715	98.360.0000.0	1
9006 EN 60715 G-32	98.190.0000.0	1	9006 EN 60715 G-32	98.190.0000.0	1
WE 1/U	Z5.523.5753.0	100			
9708/2 S 35	Z5.522.8553.0	100			
WEF 1/35	Z5.523.9353.0	100			
AP 4/D...	07.311.6355.0	10			
AP 4/D.. BLAU	07.311.6355.6	10			
IVB WK 4/DEU-2	Z7.271.0227.0	10			
IVB WK 4 /DEU-3	Z7.271.0327.0	10			
IVB WK 4/DEU-12	Z7.271.1227.0	10			
IVK WK 4/D...2	Z7.256.2227.0	10			
IVK WK 4/D...3	Z7.256.2327.0	10			
IVK WK 4/D...12	Z7.256.3227.0	10			
TS 4/15 GELB	07.311.2953.8	10			
AD VB 4 GELB	04.326.2153.8	10			

⁵⁾ 630 V/6 kV/3 with partition plate 07.311.2953.8 between two adjacent blocks
⁶⁾ With partition plate 07.311.2953.8 between two adjacent blocks
⁷⁾ End plates must be used when SL blocks and other types are snapped in next to each other.

Multi-tier blocks with screw connection

selos 10S



0344 Ex II 2GD IM2
Ex e I/II
EN 60947-7-1:2002
EN 60947-7-2:2002

UL ratings Field/factory wiring
CSA ratings
KEMA 02 ATEX 2114 U¹⁾ EN 60079-0/EN 60079-7
Width Wire strip length
Approvals

WK 4 E/U

fine-stranded solid V A
0.5-4 mm² 0.5-4 mm² 400 V/6 kV/3³⁾ 32

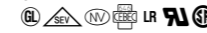
No. 22-10 AWG 300 V 20
No. 20-12 AWG 300 V 10
0.5-4 mm² 0.5-4 mm² 275 V 24/24²⁾
6 mm 9 mm



WK 4 E/U /VB

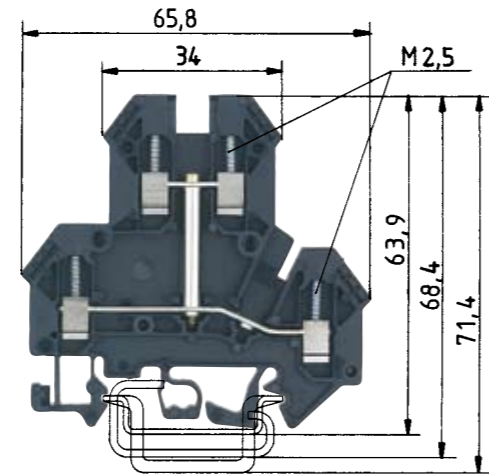
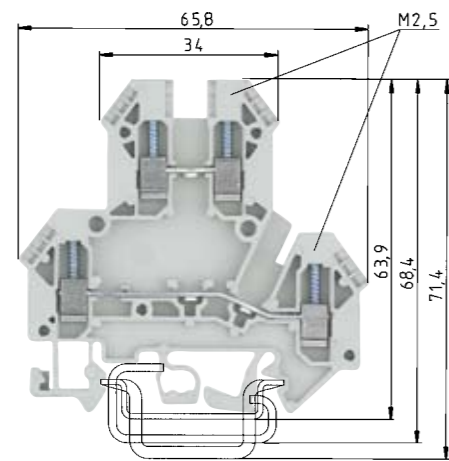
fine-stranded solid V A
0.5-4 mm² 0.5-4 mm² 400 V/6 kV/3 32

No. 22-10 AWG 300 V 20
No. 20-12 AWG 300 V 10
0.5-4 mm² 0.5-4 mm² 275 V 24
6 mm 9 mm




	Type	Part No.	Std. Pack	Type	Part No.	Std. Pack
Multi-tier block gray	WK 4 E/U	57.404.7055.0	100			
Multi-tier block, vert. connected black				WK 4 E/U/VB SCHWARZ	57.404.6955.1	100
Multi-tier ground block green/yellow						
Function block red						
Function block orange						
Accessories						
1. Mounting rail TS 35, DIN rail 7.5 mm high L = 2 m	35 x 27 x 7.5 EN 60715	98.300.0000.0	1	35 x 27 x 7.5 EN 60715	98.300.0000.0	1
Mounting rail TS 35, DIN rail, 15 mm high L = 2 m	35 x 24 x 15 EN 60715	98.360.0000.0	1	35 x 24 x 15 EN 60715	98.360.0000.0	1
Mounting rail TS 32, G rail* L = 2 m	9006 EN 60715 G-32	98.190.0000.0	1	9006 EN 60715 G-32	98.190.0000.0	1
2. End clamp with U-foot* 10 mm wide	WE 1/U	Z5.523.5753.0	100	WE 1/U	Z5.523.5753.0	100
End clamp TS 35, with screw 8 mm wide	9708/2 S 35	Z5.522.8553.0	100	9708/2 S 35	Z5.522.8553.0	100
End clamp TS 35, without screw 8 mm wide	9708	Z5.522.7053.0	100	WEF 1/35	Z5.523.9353.0	100
3. End plate gray	AP 4 E	07.311.4055.0	10	AP 4 E	07.311.4055.0	10
blue						
4. Partition gray	TW 4 E	07.311.5055.0	10	TW 4 E	07.311.5055.0	10
blue						
5. Cross connector with screws 2 pole	9215-2	Z7.210.3227.0	50	9215-2	07.210.3227.0	1
for top tier 3 pole	9215-3	Z7.210.3327.0	50	9215-3	07.210.3327.0	1
up to 6 pole	9215-6	Z7.210.3627.0	50	9215-6	07.210.3627.0	1
Jumper comb for lower tier block 2 pole	IVBS WK 4 E-2	Z7.256.4227.0	10	IVBS WK 4 E-2	Z7.256.4227.0	10
insulated, angled up to 6 pole	IVBS WK 4 E-6	Z7.256.4627.0	10	IVBS WK 4 E-6	Z7.256.4627.0	10
Jumper comb for lower tier block 2 pole	IVB WK 4 E-2	Z7.255.2227.0	10	IVB WK 4 E-2	Z7.255.2227.0	10
insulated, straight up to 6 pole	IVB WK 4 E-6	Z7.255.2627.0	10	IVB WK 4 E-6	Z7.255.2627.0	10
6. Partition plate with marking facility						
7. Single cover with marking facility	AD VB 4/15 GELB	04.326.2953.8	10	AD VB 4/15 GELB	04.326.2953.8	10
8. Cover with warning symbol over 4 blocks						
For more accessories see pages 60-77	¹⁾ Please note the mounting instructions on the cover page.		²⁾ With/without jumper			
For marking systems see pages 70-75	³⁾ With end plates 500 V/6 kV/3		* Do not use in Ex environments.			
	⁴⁾ Ratings to adjacent feed-through blocks of the same series and size					
	⁵⁾ For the current carrying capability of the mounting rail see AT catalog section facts & DATA .					


Multi-tier feed-through block with screw connection

WKN 2,5 E/U

fine-stranded solid
 0.5-2.5mm² 0.5-4mm² 500V/6kV/3
 No. 22-12 AWG 600V
 No. 24-12 AWG 600V
 5mm


WKN 2,5 E/U/VB

fine-stranded solid
 0.5-2.5mm² 0.5-4mm² 500V/6kV/3
 No. 22-12 AWG 600V 20/25
 No. 24-12 AWG 600V 25
 5mm 8mm


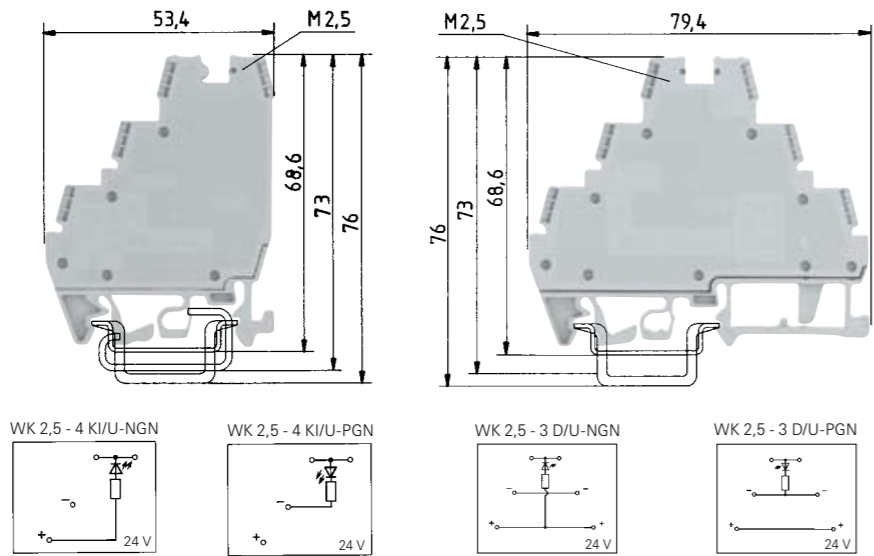
EN 60947-7-1/DIN VDE 0611 T1
 UL ratings Field/factory wiring
 CSA ratings
 Width Wire strip length
 Approvals

	Type	Part No.	Std. Pack	Type	Part No.	Std. Pack
Multi-tier feed-through block	gray	WKN 2,5 E/U	57.403.7055.0	100		
Multi-tier feed-through block, connected	black			WKN 2,5 E/U/VB	57.403.6955.1	100
Accessories						
1. Mounting rail TS 35, DIN rail 7.5mm high	L = 2m	35 x 27 x 7,5 EN 60715	98.300.0000.0	1	35 x 27 x 7,5 EN 60715	98.300.0000.0
Mounting rail TS 35, DIN rail, 15mm high	L = 2m	35 x 24 x 15 EN 60715	98.360.0000.0	1	35 x 24 x 15 EN 60715	98.360.0000.0
Mounting rail TS 32, G rail	L = 2m	9006 EN 60715 G-32	98.190.0000.0	1	9006 EN 60715 G-32	98.190.0000.0
2. End clamp with U-foot	10mm wide	WE 1/U	Z5.523.5753.0	100	WE 1/U	Z5.523.5753.0
End clamp TS 35, with screw	8mm wide	9708/2 S 35	Z5.522.8553.0	100	9708/2 S 35	Z5.522.8553.0
End clamp TS 35, without screw	8mm wide	WEF 1/35	Z5.523.9353.0	100	WEF 1/35	Z5.523.9353.0
3. End plate	gray	APN 2,5 E	07.312.1755.0	10	APN 2,5 E	07.312.1755.0
	blue					
4. Partition	gray	TWN 2,5 E	07.312.1855.0	10	TWN 2,5 E	07.312.1855.0
	blue					
5. Cross connector with screws	2 pole	IVB WK 2,5 - 2	Z7.280.2227.0	10	IVB WK 2,5 - 2	Z7.280.2227.0
insulated, for upper tier	3 pole	IVB WK 2,5 - 3	Z7.280.2327.0	10	IVB WK 2,5 - 3	Z7.280.2327.0
	up to 12 pole	IVB WK 2,5 - 12	Z7.280.3227.0	10	IVB WK 2,5 - 12	Z7.280.3227.0
Jumper comb	2 pole					
insulated, for lower tier	3 pole					
	up to 12 pole					
6. Partition plate with marking facility		TS 2,5 GELB	07.311.2053.8	10	TS 2,5 GELB	07.311.2053.8
7. Single cover with marking facility		AD VB 2,5 GELB	04.326.2053.8	10	AD VB 2,5 GELB	04.326.2053.8
8. Cover with warning symbol over 4 blocks			04.343.4756.8	10		04.343.4756.8
For more accessories see pages 60-77						
For marking systems see pages 70-75						



selos

Initiator blocks with screw connection



selos 10S



WK 2,5-4 KI/U

fine-stranded solid
0.5-2.5mm² 0.5-4mm²
No. 22-12 AWG
No. 22-12 AWG
6mm
EPM  

WK 2,5-3 D/U

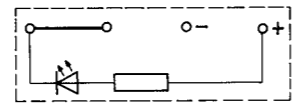
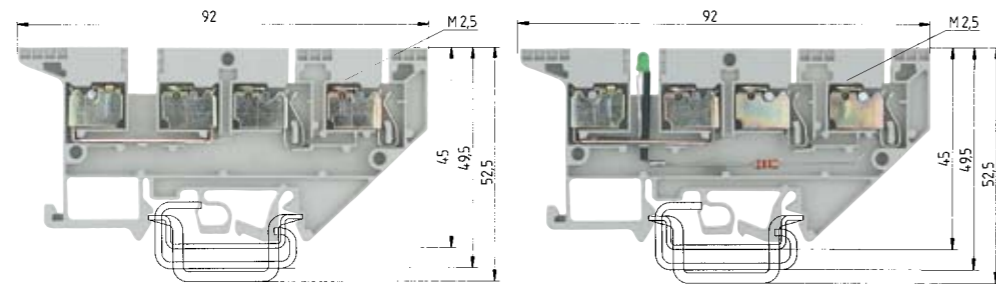
fine-stranded solid
0.5-2.5mm² 0.5-4mm²
No. 22-12 AWG
No. 22-12 AWG
6mm
EPM  

EN 60947-7-1/DIN VDE 0611 T1
UL ratings Field/factory wiring
CSA ratings
Width Wire strip length
Approvals

		Type	Part No.	Std. Pack	Type	Part No.	Std. Pack
Initiator block	gray	WK 2,5 - 4 KI/U	57.503.7855.0	100			
Multi-tier block	gray				WK 2,5 - 3 D/U	57.503.8855.0	50
with LED (green) between signal and plus	gray	WK 2,5 - 4 KI/U-NGN	57.503.7955.0	100	WK 2,5 - 3 D/U-NGN	57.503.8955.0	50
with LED (green) between signal and minus	gray	WK 2,5 - 4 KI/U-PGN	57.503.8055.0	100	WK 2,5 - 3 D/U-PGN	57.503.9055.0	50
with LED (red) between signal and minus	gray						
Accessories							
1. Mounting rail TS 35, DIN rail 7.5mm high	L = 2m	35 x 27 x 7,5 EN 60715	98.300.0000.0	1	35 x 27 x 7,5 EN 60715	98.300.0000.0	1
Mounting rail TS 35, DIN rail, 15mm high	L = 2m	35 x 24 x 15 EN 60715	98.360.0000.0	1	35 x 24 x 15 EN 60715	98.360.0000.0	1
Mounting rail TS 32, G rail	L = 2m	9006 EN 60715 G-32	98.190.0000.0	1	9006 EN 60715 G-32	98.190.0000.0	1
2. End clamp with U-foot	10mm wide	WE 1/U	Z5.523.5753.0	100	WE 1/U	Z5.523.5753.0	100
End clamp TS 35, with screw	8mm wide	9708/2 S 35	Z5.522.8553.0	100	9708/2 S 35	Z5.522.8553.0	100
End clamp TS 35, without screw	8mm wide	WEF 1/35	Z5.523.9353.0	100	WEF 1/35	Z5.523.9353.0	100
3. End plate	gray	TW 2,5 - 4 K/U	07.312.0555.0	10	TW 2,5 - 3 D/U	07.312.1255.0	50
	blue						
4. Cross connector with screws	2 pole				IVB WK/3D-02	Z7.270.0227.0	10
	3 pole				IVB WK/3D-03	Z7.270.0327.0	10
	up to 12 pole				IVB WK/3D-12	Z7.270.1227.0	10
5. Jumper comb, elbowed	2 pole	IVB WK 2,5-K-2 ROT	Z7.267.0227.5	10	IVB WK 2,5-K-2 ROT	Z7.267.0227.5	10
	3 pole	IVB WK 2,5-K-3 ROT	Z7.267.0327.5	10	IVB WK 2,5-K-3 ROT	Z7.267.0327.5	10
	up to 12 pole	IVB WK 2,5-K-12 ROT	Z7.267.1227.5	10	IVB WK 2,5-K-12 ROT	Z7.267.1227.5	10
	2 pole	IVB WK 2,5-K-2 BLAU	Z7.267.0227.6	10	IVB WK 2,5-K-2 BLAU	Z7.267.0227.6	10
	3 pole	IVB WK 2,5-K-3 BLAU	Z7.267.0327.6	10	IVB WK 2,5-K-3 BLAU	Z7.267.0327.6	10
	up to 12 pole	IVB WK 2,5-K-12 BLAU	Z7.267.1227.6	10	IVB WK 2,5-K-12 BLAU	Z7.267.1227.6	10
For more accessories see pages 60-77							
For marking systems see pages 70-75							
<ul style="list-style-type: none"> The use of cross connectors (jumper combs), requires partitions in order to maintain the air and creepage distances. 24 V – with LED 							

Initiator blocks with screw connection

selos 10S



Indicator: R = 2.2 K 0,35W
Lamp color: green

WK 2,5-4 KOI/U

fine-stranded solid
0.5-2.5mm² 0.5-4mm²
No. 22-12 AWG
No. 22-12 AWG
5mm
UL

V A
400V/6kV/3 16*
300V 20/30
300V 25
10mm

WK 2,5-4 KOI/U-NGN

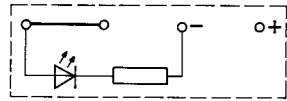
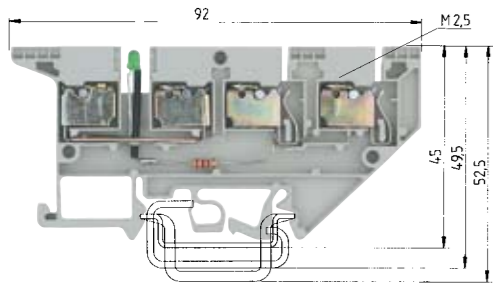
fine-stranded solid
0.5-2.5mm² 0.5-4mm²
No. 22-12 AWG
No. 22-12 AWG
5mm
UL

V A
24DC 16*
24V 20/30
24V 25
10mm

EN 60947-7-1/DIN VDE 0611 T1
UL ratings Field/factory wiring
CSA ratings
Width Wire strip length
Approvals

		Type	Part No.	Std. Pack	Type	Part No.	Std. Pack
Initiator block	gray	WK 2,5-4 KOI/U	57.503.7055.0	50			
with LED (green) between signal and plus	gray				WK 2,5-4 KOI/U-NGN	57.503.7155.0	50
with LED (green) between signal and minus	gray						
Accessories							
1. Mounting rail TS 35, DIN rail 7.5mm high	L = 2m	35 x 27 x 7,5 EN 60715	98.300.0000.0	1	35 x 27 x 7,5 EN 60715	98.300.0000.0	1
Mounting rail TS 35, DIN rail, 15mm high	L = 2m	35 x 24 x 15 EN 60715	98.360.0000.0	1	35 x 24 x 15 EN 60715	98.360.0000.0	1
Mounting rail TS 32, G rail	L = 2m	9006 EN 60715 G-32	98.190.0000.0	1	9006 EN 60715 G-32	98.190.0000.0	1
2. End clamp with U-foot	10mm wide	WE 1/U	Z5.523.5753.0	100	WE 1/U	Z5.523.5753.0	100
End clamp TS 35, with screw	8mm wide	9708/2 S 35	Z5.522.8553.0	100	9708/2 S 35	Z5.522.8553.0	100
End clamp TS 35, without screw	8mm wide	WEF 1/35	Z5.523.9353.0	100	WEF 1/35	Z5.523.9353.0	100
3. End plate	gray	AP 2,5-4 KO	07.310.9355.0	50	AP 2,5-4 KO	07.310.9355.0	50
	blue						
4. Partition	gray	TW 2,5-4 KO	07.310.9455.0	50	TW 2,5-4 KO	07.310.9455.0	50
	blue						
5. Cross connector with screws	2 pole	VB WK 2,5-2	Z7.280.0227.0	10			
for signal feed through	3 pole	VB WK 2,5-3	Z7.280.0327.0	10			
	up to 6 pole	VB WK 2,5-6	Z7.280.0627.0	10			
Cross connector	2 pole	VB WK 2,5 KO-2	07.257.0227.0	100	VB WK 2,5 KO-2	07.257.0227.0	100
for voltage supply	3 pole	VB WK 2,5 KO-3	07.257.0327.0	100	VB WK 2,5 KO-3	07.257.0327.0	100
	up to 20 pole	VB WK 2,5 KO-20	07.257.2027.0	50	VB WK 2,5 KO-20	07.257.2027.0	50
6. Partition plate with marking facility		TS 2,5 GELB	07.311.2053.8	10	TS 2,5 GELB	07.311.2053.8	10
7. Single cover with marking facility		AD VB 2,5 GELB	04.326.2053.8	10	AD VB 2,5 GELB	04.326.2053.8	10
8. Cover strip for cross connectors over 10 blocks		AD VB 5/10	04.342.0556.0	10	AD VB 5/10	04.342.0556.0	10
9. Tear-off marking strip, red, marked "+"	red	9705 A/5/10 B + ROT	04.855.0253.5	25	9705 A/5/10 B + ROT	04.855.0253.5	25
Tear-off marking strip, blue, marked "-"	blue	9705 A/5/10 B - BLAU	04.855.0353.6	25	9705 A/5/10 B - BLAU	04.855.0353.6	25
For more accessories see pages 60-77							
For marking systems see pages 70-75							
		* Feed-through 16 A					

selos



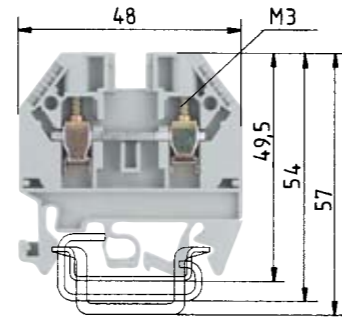
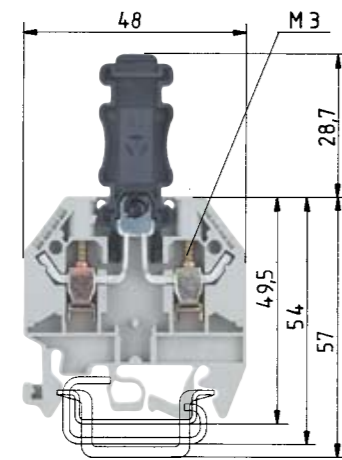
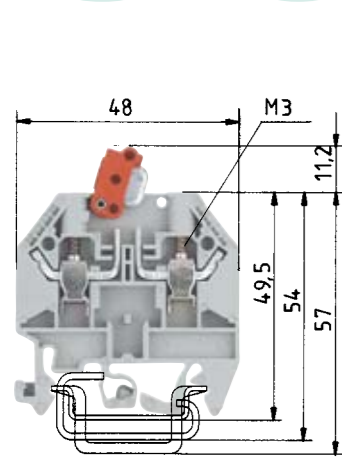
Indicator: R = 2.2K 0,35W
Lamp color: green

WK 2,5-4 KOI/U-PGN

fine-stranded	solid	V	A
0,5-2,5mm ²	0,5-4mm ²	24 DC	16*
No. 22-12 AWG		24V	20/30
No. 22-12 AWG		24V	25
5mm			10mm



Type	Part No.	Std. Pack
WK 2,5-4 KOI/U-PGN	57.503.7255.0	50
35 x 27 x 7,5 EN 60715	98.300.0000.0	1
35 x 24 x 15 EN 60715	98.360.0000.0	1
9006 EN 60715 G-32	98.190.0000.0	1
WE 1/U	Z5.523.5753.0	100
9708/2 S 35	Z5.522.8553.0	100
WEF 1/35	Z5.523.9353.0	100
AP 2,5-4 KO	07.310.9355.0	50
TW 2,5-4 KO	07.310.9455.0	50
VB WK 2,5 KO-2	07.257.0227.0	100
VB WK 2,5 KO-3	07.257.0327.0	100
VB WK 2,5 KO-20	07.257.2027.0	50
TS 2,5 GELB	07.311.2053.8	10
AD VB 2,5 GELB	04.326.2053.8	10
AD VB 5/10	04.342.0556.0	10
9705 A/5/10 B + ROT	04.855.0253.5	25
9705 A/5/10 B - BLAU	04.855.0353.6	25



The disconnecting knife in these WK versions swings in and out on a pivot point. The distinctive color of the disconnecting lever signals the open state. The terminals can be connected with the lever open or closed. Designs with a different number and arrangement of test sockets permit reliable measurements using the test plug.

The isolating connector is detachable and can be fitted as a dummy plug. This signals the open state. Designs with different numbers of test sockets permit reliable measurements using the test plug.

Same dimensions as types WK 4 TKG/U and WK 4 TKM/U

WK 4/TKM

fine-stranded solid	V	A	
0.5-4 mm ² 0.5-6 mm ²	800 V/8 kV/3*	20	
No. 22-10 AWG	600 V	20	
No. 22-10 AWG	600 V*	20	
6 mm		9 mm	

WK 4 TKG-TRST/U

fine-stranded solid	V	A	
0.5-4 mm ² 0.5-6 mm ²	800 V/8 kV/3*	20	
No. 22-10 AWG	300 V	10	
No. 22-10 AWG	600 V*	20	
6 mm		9 mm	

WK 4 TKS D/U

fine-stranded solid	V	A	
0.5-4 mm ² 0.5-6 mm ²	800 V/8 kV/3	32	
No. 22-10 AWG	300 V	25	
No. 20-10 AWG	600 V	20	
6 mm		9 mm	

Type	Part No.	Std. Pack	Type	Part No.	Std. Pack	Type	Part No.	Std. Pack
WK 4/TKM/U	57.504.2055.0	100						
WK 4/TKM/U BLAU	57.504.2055.6	100						
WK 4/TKM/P3/U	57.504.2355.0	100						
			WK 4 TKG-TRST/U	57.504.4555.0	100			
			WK 4 TKG-TRST P3/U	57.504.4855.0	100			
						WK 4 TKS D/U	57.504.4455.0	100
35 x 27 x 7,5 EN 60715	98.300.0000.0	1	35 x 27 x 7,5 EN 60715	98.300.0000.0	1	35 x 27 x 7,5 EN 60715	98.300.0000.0	1
35 x 24 x 15 EN 60715	98.360.0000.0	1	35 x 24 x 15 EN 60715	98.360.0000.0	1	35 x 24 x 15 EN 60715	98.360.0000.0	1
9006 EN 60715 G-32	98.190.0000.0	1	9006 EN 60715 G-32	98.190.0000.0	1	9006 EN 60715 G-32	98.190.0000.0	1
WE 1/U	Z5.523.5753.0	100	WE 1/U	Z5.523.5753.0	100	WE 1/U	Z5.523.5653.0	100
9708/2 S 35	Z5.522.8553.0	100	9708/2 S 35	Z5.522.8553.0	100	9708/2 S 35	Z5.522.8553.0	100
WEF 1/35	Z5.523.9353.0	100	WEF 1/35	Z5.523.9353.0	100	WEF 1/35	Z5.523.9353.0	100
AP 4 TK	07.311.6155.0	10	AP 4 TK	07.311.6155.0	10	AP 4 TK	07.311.6155.0	10
AP 4 TK BLAU	07.311.6155.6	10						
TW 4 TK	07.311.8155.0	10	TW 4 TK	07.311.8155.0	10	TW 4 TK	07.311.8155.0	10
TW 4 TK BLAU	07.311.8155.6	10						
IVB 1 WK 4..-2	Z7.255.4227.0	10	IVB 1 WK 4..-2	Z7.255.4227.0	10	IVB 1 WK 4..-2	Z7.255.4227.0	10
IVB 1 WK 4..-3	Z7.255.4327.0	10	IVB 1 WK 4..-3	Z7.255.4327.0	10	IVB 1 WK 4..-3	Z7.255.4327.0	10
IVB 1 WK 4..-6	Z7.255.4627.0	10	IVB 1 WK 4..-6	Z7.255.4627.0	10	IVB 1 WK 4..-6	Z7.255.4627.0	10

* Version with test bolt: CSA: 300V
EN 60 947-7-1/DIN VDE 0611 T1 -690V/6 kV/3
Test bolt can be loaded with 1A

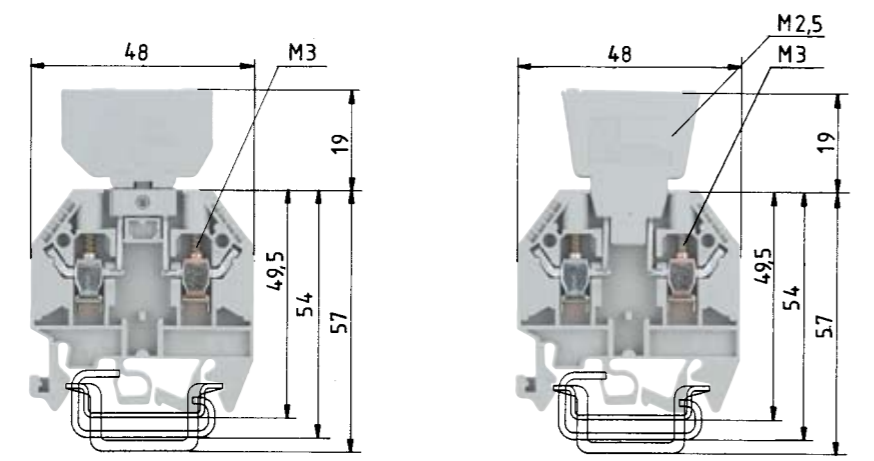
* Version with test bolt: CSA: 300V
EN 60 947-7-1/DIN VDE 0611 T1 -690V/6 kV/3
Test bolt can be loaded with 1A

Fuse blocks with screw connection **selos**

When selecting G fuse inserts, make sure that the specified maximum power loss is not exceeded.¹⁾
 The current is determined by the inserted fuse.³⁾
 The voltage range is determined by the built-in LED display.²⁾
 Depending on the application and the installation method, the possibility of increased temperature must be checked in the closed fuse holders.
 Higher ambient temperatures are an additional load for the fuse inserts. Therefore, the reduction of the rated current must be considered accordingly in these applications.

Indicator (24V): Lamp color: red
 Power consumption: 10,3mA
 Indicator (220V): Lamp color: red
 Power consumption: 0.3mA

¹⁾ Maximum power loss at 23°C ambient temperature (according to DIN EN 60947-7-3)



Typ	Rated Voltage	Overload protection		Exclusive short-circuit protection	
		Single arrangement	Group arrangement	Single arrangement	Group arrangement
SIST	250V	1.6W	1.6W	2.5W	1.6W

EN 60947-7-1/DIN VDE 0611 Teil 1
 EN 60127-6/DIN VDE 0820 T6
 UL ratings Field/factory wiring
 CSA ratings
 Width Wire strip length
 Approvals

WK 4 TKG... SIST

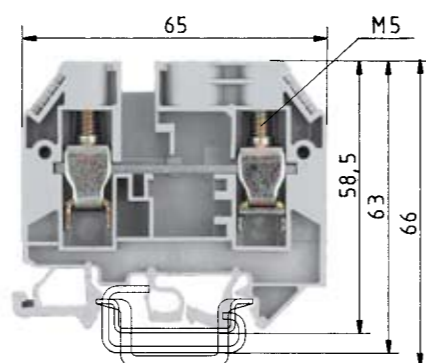
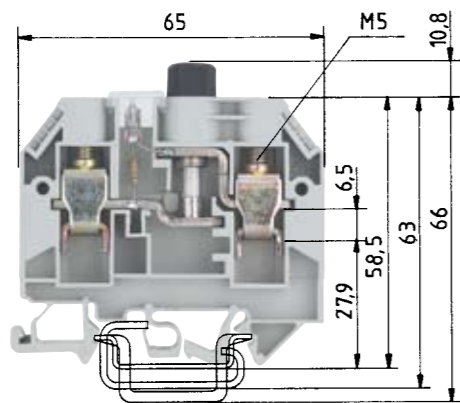
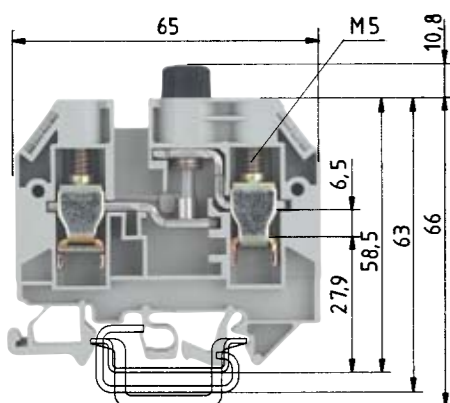
fine-stranded solid V
 0.5-4mm² 0.5-6mm² 800V/8kV/3²⁾
 No. 22-10 AWG 300V
 No. 20-10 AWG 250V
 6mm

WK 4 TKG... DIST

fine-stranded solid V A
¹⁾ 0.5-4mm² 0.5-6mm² 800V/8kV/3
 No. 22-10 AWG 300V 10
 No. 20-10 AWG 250V 6,3
 6mm
 9mm

		Type	Part No.	Std. Pack	Type	Part No.	Std. Pack
Disconnect block		gray	WK 4 TKG/U	57.504.4055.0	100	WK 4 TKG/U	57.504.4055.0
Fuse holder for 5x20 fuse		gray	Si ST	Z1.299.4055.0	10		
Fuse holder with LED 24-60V		gray	Si ST LED	Z1.299.4155.0	10		
Fuse holder with GL 220V		gray	Si ST GL	Z1.299.4255.0	10		
Diode plug, without contacts		gray			DIST ...	Z1.299.3055.0	10
Diode plug - diode		I _{max} = 1 A	gray		DIST-1 N 4007-1 ³⁾	Z1.299.3155.0	10
Diode plug - diode		I _{max} = 1 A	gray		DIST-1 N 4007-2 ⁴⁾	Z1.299.3355.0	10
Diode plug with jumper		I _{max} = 10A	gray		DIST-D	Z1.299.3255.0	10
Fuse block		gray			The current carrying load depends on the component used. Temporary peak voltage 1000V. Pole assignment Anode Cathode ³⁾ of the diode: Cathode Anode ⁴⁾		
with G-screw cap B DIN 41674, 5x25mm							
with G-screw cap A DIN 41674, 5x20mm							
Accessories							
1.	Mounting rail TS 35, DIN rail 7.5mm high	L = 2m	35 x 27 x 7,5 EN 60715	98.300.0000.0	1	35 x 27 x 7,5 EN 60715	98.300.0000.0
	Mounting rail TS 35, DIN rail, 15mm high	L = 2m	35 x 24 x 15 EN 60715	98.360.0000.0	1	35 x 24 x 15 EN 60715	98.360.0000.0
	Mounting rail TS 32, G rail	L = 2m	9006 EN 60715 G-32	98.190.0000.0	1	9006 EN 60715 G-32	98.190.0000.0
2.	End clamp with U-foot	10mm wide	WE 1/U	Z5.523.5753.0	100	WE 1/U	Z5.523.5753.0
	End clamp TS 35, with screw	8mm wide	9708/2 S 35	Z5.522.8553.0	100	9708/2 S 35	Z5.522.8553.0
	End clamp TS 35, without screw	8mm wide	WEF 1/35	Z5.523.9353.0	100	WEF 1/35	Z5.523.9353.0
3.	End plate	gray	AP 4 TK	07.311.6155.0	10	AP 4 TK	07.311.6155.0
		blue					
4.	Partition	gray	TW 4 TK	07.311.8155.0	10	TW 4 TK	07.311.8155.0
		blue					
5.	Jumper comb	2 pole	IVB 1 WK 4..-2	Z7.255.4227.0	10	IVB 1 WK 4..-2	Z7.255.4227.0
	insulated	3 pole	IVB 1 WK 4..-3	Z7.255.4327.0	10	IVB 1 WK 4..-3	Z7.255.4327.0
		up to 6 pole	IVB 1 WK 4..-6	Z7.255.4627.0	10	IVB 1 WK 4..-6	Z7.255.4627.0
For more accessories see pages 60-77							
For marking systems see pages 70-75							

Type	Overload protection		Exclusive short-circuit protection	
	Single arrangement	Group arrangement	Single arrangement	Group arrangement
WK 10 Si U 5x20	4.0W/6.3A	2.5W/6.3A	4.0W/6.3A	4.0W/6.3A
WK 10 Si U 6.3x32	4.0W/10A	2.5W/2.5A	4.0W/10A	2.5W/2.5A
WK 10 Si U 5x25	4.0W/6.3A	2.5W/6.3A	4.0W/6.3A	4.0W/6.3A
WK 10 Si U 5x30	4.0W/6.3A	2.5W/6.3A	4.0W/6.3A	4.0W/6.3A

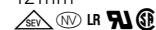


*) Voltage and current are determined by the built-in LED and the inserted G-fuse.

*) Voltage and current are determined by the built-in indicator and the inserted G-fuse.

WK 10/SI ... /U

fine-stranded	solid/stranded	V	A
1.0-10mm ²	1.0-16mm ²	500V/6kV/3*)	10*)
No. 22-6 AWG		600V*)	15
No. 16-6 AWG		600V*)	max. 15
12mm			13mm



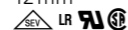
WK 10/SI ... /U mit Kennmelder

fine-stranded	solid/stranded	V	A
1.0-10mm ²	1.0-16mm ²	500V/6kV/3*)max.10*)	10*)
No. 22-6 AWG		600V*)	15
No. 16-6 AWG		600V*)	max. 15
12mm			13mm



WK 10/SI U D

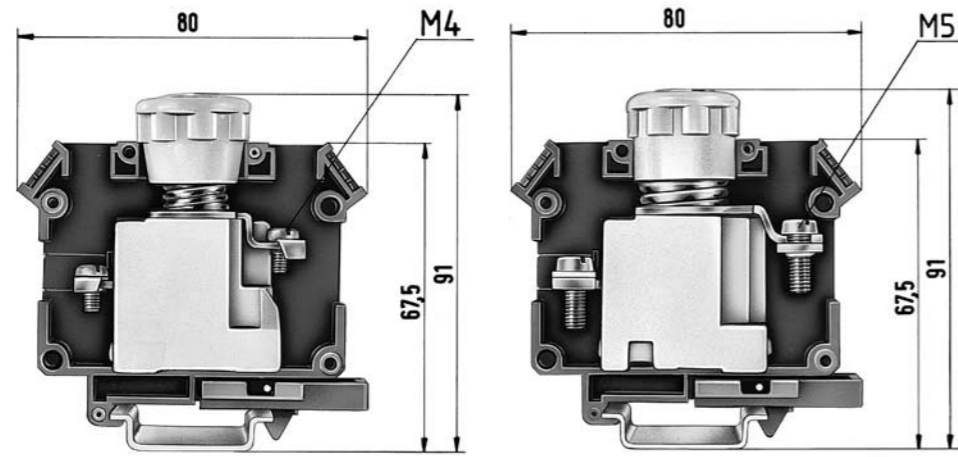
fine-stranded	solid/stranded	V	A
1.0-10mm ²	1.0-16mm ²	500V/6kV/3	57
No. 22-6 AWG		600 V	50
No. 16-6 AWG		600 V	65
12mm			13mm



Type	Part No.	Std. Pack	Type	Part No.	Std. Pack	Type	Part No.	Std. Pack
WK 10/Si U 5 x 20	57.910.5055.0	50	WK 10/Si U 5 x 20M, NGL	57.910.5455.0	50			
WK 10/Si U 5 x 25	57.910.5155.0	50	WK 10/Si U 5 x 20M, GLB	57.910.5855.0	50			
WK 10/Si U 5 x 30	57.910.5255.0	50	WK 10/Si U 6,3 x 32M, NGL	57.910.5755.0	50			
WK 10/Si U 6,3 x 32	57.910.5355.0	50	WK 10/Si U 6,3 x 32M, GLB	57.910.6155.0	50			
						WK 10/Si U D	57.910.4955.0	50
35 x 27 x 7,5 EN 60715	98.300.0000.0	1	35 x 27 x 7,5 EN 60715	98.300.0000.0	1	35 x 27 x 7,5 EN 60715	98.300.0000.0	1
35 x 24 x 15 EN 60715	98.360.0000.0	1	35 x 24 x 15 EN 60715	98.360.0000.0	1	35 x 24 x 15 EN 60715	98.360.0000.0	1
9006 EN 60715 G-32	98.190.0000.0	1	9006 EN 60715 G-32	98.190.0000.0	1	9006 EN 60715 G-32	98.190.0000.0	1
WE 1/U	Z5.523.5753.0	100	WE 1/U	Z5.523.5753.0	100	WE 1/U	Z5.523.5753.0	100
9708/2 S 35	Z5.522.8553.0	100	9708/2 S 35	Z5.522.8553.0	100	9708/2 S 35	Z5.522.8553.0	100
WEF 1/35	Z5.523.9353.0	100	WEF 1/35	Z5.523.9353.0	100	WEF 1/35	Z5.523.9353.0	100
AP 10/Si	07.311.4155.0	10	AP 10/Si	07.311.4155.0	10	AP 10/Si	07.311.4155.0	10
VB WK 10/Si-2	Z7.287.0227.0	10	VB WK 10/Si-2	Z7.287.0227.0	10	VB WK 10/Si-2	Z7.287.0227.0	10
VB WK 10/Si-3	Z7.287.0327.0	10	VB WK 10/Si-3	Z7.287.0327.0	10	VB WK 10/Si-3	Z7.287.0327.0	10
VB WK 10/Si-6	Z7.287.0627.0	10	VB WK 10/Si-6	Z7.287.0627.0	10	VB WK 10/Si-6	Z7.287.0627.0	10
	04.312.2056.0	100		04.312.2056.0	100		04.312.2056.0	100
*)	VDE	CSA	UL	*)	VDE	CSA	UL	
57.910.5055.0	250V~	600V	600V	57.910.5455.0	110 - 250V~	500V	150V	
57.910.5155.0	250V~	600V	600V		Current consumed 0.16 - 0.8mA			
57.910.5255.0	500V~	600V	600V	57.910.5855.0	28V~	28V	28V	
57.910.5355.0	500V~	600V	600V		Current consumed 24mA			
				57.910.5755.0	110 - 500V~	500V	150V	
					Current consumed 0.16 - 0.8mA			
Screw cap made from thermoset type 131 and silver-plated brass				57.910.6155.0	28V~	28V	28V	
					Current consumed 24mA			

Fuse blocks with screw connection

selos



*) Current and voltage are determined by the fuse

9700 B/30 Si E 14/S 35	2 – 16 A	9700 B/30 Si E 18/S 35	2-63 A
fine-stranded	solid	fine-stranded	solid/stranded
1.5-4 mm ²	1.5-4 mm ²	1.5-25 mm ²	1.5-25 mm ²
400V~*)	16*)	400V~*)	63*)

DIN VDE 0636
UL ratings
CSA ratings
Width
Approvals

Field/factory wiring

Wire strip length

30 mm	10 mm	30 mm	12 mm
-------	-------	-------	-------

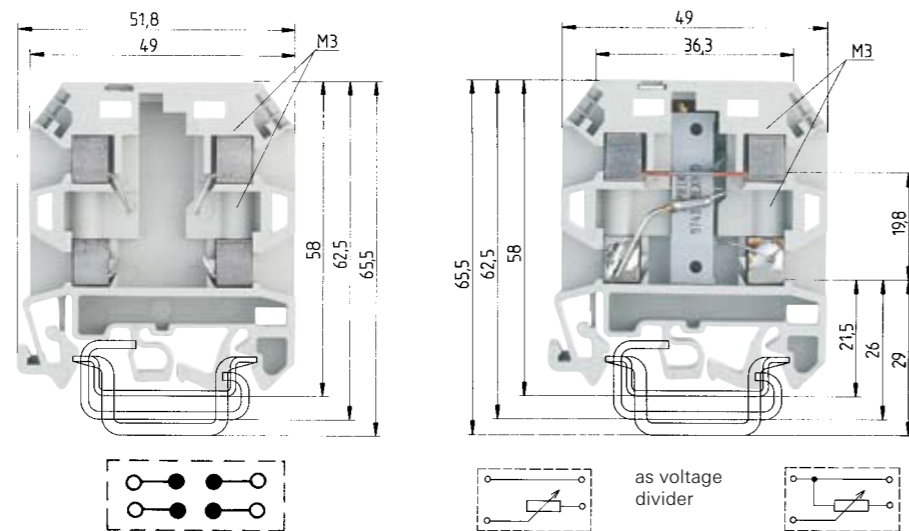
	Type	Part No.	Std. Pack	Type	Part No.	Std. Pack
Fuse block	9700 B/30 Si E 14/S 35	56.904.4055.0	20	9700 B/30 Si E 18/S 35	56.925.4055.0	20
Accessories						
1. Mounting rail TS 35, DIN rail 7.5 mm high L = 2 m	35 x 27 x 7,5 EN 60715	98.300.0000.0	1	35 x 27 x 7,5 EN 60715	98.300.0000.0	1
Mounting rail TS 35, DIN rail, 15 mm high L = 2 m	35 x 24 x 15 EN 60715	98.360.0000.0	1	35 x 24 x 15 EN 60715	98.360.0000.0	1
Mounting rail TS 32, G rail L = 2 m						
2. End clamp with U-foot 10 mm wide	WE 1/U	Z5.523.5753.0	100	WE 1/U	Z5.523.5753.0	100
End clamp TS 35, with screw 8 mm wide	9708/2 S 35	Z5.522.8553.0	100	9708/2 S 35	Z5.522.8553.0	100
End clamp TS 35, without screw 8 mm wide	WEF 1/35	Z5.523.9353.0	100	WEF 1/35	Z5.523.9353.0	100
3. NEOZED® adapter sleeve 2 A – pink		05.595.9200.0	50		05.595.5900.0	50
4 A – brown		05.595.9300.0	50		05.595.6000.0	50
6 A – green		05.595.9400.0	50		05.595.6100.0	50
10 A – red		05.595.9500.0	50		05.595.6200.0	50
16 A – gray					05.595.6300.0	50
20 A – blue					05.595.6400.0	50
25 A – yellow					05.595.6500.0	50
35 A – black					05.595.6600.0	50
50 A – white					05.595.6700.0	50
4. Retaining clip					05.549.0500.0	1
5. Cover cap		04.326.1053.0	100		04.326.1053.0	100
6. Jumper comb 6 pole					07.250.3027.0	25
10 pole					07.250.3127.0	10
For more accessories see pages 60-77						
For marking systems see pages 70-75						
NEOZED® = registered trademark of SiemensAG						

selos

Function blocks with screw connection

selos 10S

Electrical specifications for the compensating terminal.
 Resistor range: 0.25Ω bis 100Ω
 Resistor tolerance: ± 10%
 Resistor range: 100Ω bis 50 kΩ
 Resistor tolerance: ± 20%
 Limited continuous resistance value:
 0.75W bis 70°C
 Max. load: 100mA
 Temperature coefficient: 0 bis +500ppm/°C
 Max. operating voltage: 300V



9786 U/12

fine-stranded solid V A
 0.5-2.5mm² 0.5-2.5mm² 800V/8kV(3*) 24*)

9785 U/... - SPT

fine-stranded solid V A
 0.5-2.5mm² 0.5-2.5mm² see description

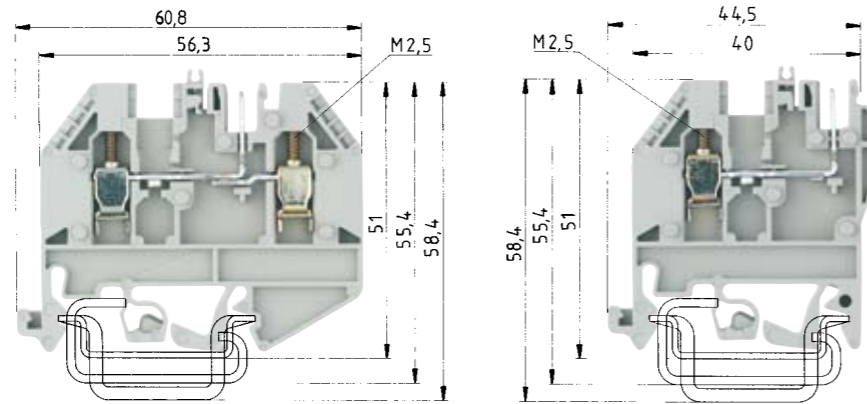
EN 60947-7-1/DIN VDE 0611 T1
 UL ratings Field/factory wiring
 CSA ratings
 Width Wire strip length
 Approvals

No. 22-14 AWG 300 V 6
 12mm 9mm 12mm 9mm

	Type	Part No.	Std. Pack	Type	Part No.	Std. Pack
Function blocks, empty	9786 U/12	57.904.2055.0	50			
with bridge rectifier B380 C1500	9786 U/12 G4	57.904.2555.0	50			
with optocoupler CNY 17/3	9786 U/12 OPK	57.904.2855.0	50			
Compensating terminal gray 10 Ω				9785 U/10 Ω	57.904.0055.0	50
with potentiometer 20 Ω				9785 U/20 Ω	57.904.0155.0	50
50 Ω				9785 U/50 Ω	57.904.0255.0	50
100 Ω				9785 U/100 Ω	57.904.0355.0	50
200 Ω				9785 U/200 Ω	57.904.0455.0	50
510 Ω				9785 U/500 Ω	57.904.0555.0	50
1 kΩ				9785 U/1 kΩ	57.904.0655.0	50
2 kΩ				9785 U/2 kΩ	57.904.0755.0	50
5 kΩ				9785 U/5 kΩ	57.904.0855.0	50
10 kΩ				9785 U/10 kΩ	57.904.0955.0	50
20 kΩ				9785 U/20 kΩ	57.904.1055.0	50
50 kΩ				9785 U/50 kΩ	57.904.1155.0	50
Compensating terminal gray 10 Ω				9785 U/10 Ω-SPT	57.904.3955.0	50
with potentiometer as voltage divider 20 Ω				9785 U/20 Ω-SPT	57.904.4155.0	50
50 Ω				9785 U/50 Ω-SPT	57.904.4255.0	50
100 Ω				9785 U/100 Ω-SPT	57.904.4355.0	50
200 Ω				9785 U/200 Ω-SPT	57.904.4455.0	50
510 Ω				9785 U/500 Ω-SPT	57.904.4555.0	50
1 kΩ				9785 U/1 kΩ-SPT	57.904.4655.0	50
2 kΩ				9785 U/2 kΩ-SPT	57.904.4755.0	50
5 kΩ				9785 U/5 kΩ-SPT	57.904.4855.0	50
10 kΩ				9785 U/10 kΩ-SPT	57.904.4955.0	50
20 kΩ				9785 U/20 kΩ-SPT	57.904.5055.0	50
50 kΩ				9785 U/50 kΩ-SPT	57.904.5155.0	50
Thermocouple terminal type T-Cu/CuNi 44						
Thermocouple terminal type E-NiCr/CuNi 44						
Thermocouple terminal type J-Fe/CuNi 44						
Thermocouple terminal type K-NiCr/Ni						
Thermocouple terminal type R-PtRh 13/Pt						
Ground disconnect 24 - 48V≅ with LED						
Ground disconnect 110-220V≅ with indicator lamp						

Feed-through blocks with *wiecon* pluggable connection

selos PLUG

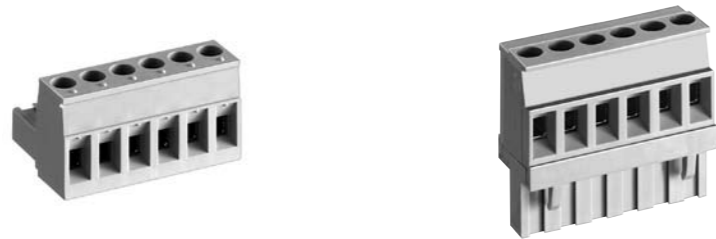
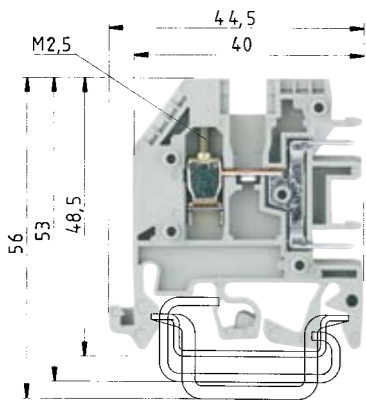


For PC board terminal type

Type 8113 B
Type 8313 B
Type 8113 B/VL
Type 8113 B/VR
Type 8113 B/Top

		WK 2,5 U/D/8113 S/V			WK 2,5 U/8113 S/V				
EN 60947-7-1/DIN VDE 0611 T1		fine-stranded	solid	V	A	fine-stranded	solid	V	A
UL ratings	Field/factory wiring	0.5-2.5mm ²	0.5-4mm ²	250V/4kV/3	12	0.5-2.5mm ²	0.5-4mm ²	250V/4kV/3	12
CSA ratings		No. 22-12 AWG		300V	15	No. 22-12 AWG		300V	15
Width	Wire strip length	No. 24-12 AWG		300V	15	No. 24-12 AWG		300V	15
Approvals		5mm		9mm		5mm		9mm	

		Type	Part No.	Std. Pack	Type	Part No.	Std. Pack
Feed-through block	gray	WK 2,5 U/D/8113 S/V...	57.503.2155.0	50	WK 2,5 U/8113 S/V...	57.503.2655.0	50
Power block	gray	WK 2,5 U/D/8113 S/V/VK	57.503.2555.6	50	WK 2,5 U/8113 S/V/VK	57.503.3055.6	50
Feed-through block, with LED 25V	gray	WK 2,5 U/D/8113 S/V/LED 25	57.503.2255.0	50	WK 2,5 U/8113 S/V/LED 25	57.503.2755.0	50
Feed-through block, with LED 50V	gray	WK 2,5 U/D/8113 S/V/LED 50	57.503.2355.0	50	WK 2,5 U/8113 S/V/LED 50	57.503.2855.0	50
Accessories							
1. Mounting rail TS 35, DIN rail 7.5mm high	L = 2m	35 x 27 x 7,5 EN 60715	98.300.0000.0	1	35 x 27 x 7,5 EN 60715	98.300.0000.0	1
Mounting rail TS 35, DIN rail, 15mm high	L = 2m	35 x 24 x 15 EN 60715	98.360.0000.0	1	35 x 24 x 15 EN 60715	98.360.0000.0	1
Mounting rail TS 32, G rail	L = 2m	9006 EN 60715 G-32	98.190.0000.0	1	9006 EN 60715 G-32	98.190.0000.0	1
2. End clamp with U-foot	10mm wide	WE 1/U	Z5.523.5753.0	100	WE 1/U	Z5.523.5753.0	100
End clamp TS 35, with screw	8mm wide	9708/2 S 35	Z5.522.8553.0	100	9708/2 S 35	Z5.522.8553.0	100
End clamp TS 35, without screw	8mm wide	WEF 1/35	Z5.523.9353.0	100	WEF 1/35	Z5.523.9353.0	100
3. End plate	gray	AP 2,5 U/D/8113 S/V	07.311.9055.0	10	AP 2,5 U/8113 S/V	07.312.1555.0	10
	blue	AP 2,5 U/8113	07.312.4655.0	10			
4. Spacer	2.5mm thick	ZP 2,5 U/D/8113 S/V	07.311.9155.0	10	ZP 2,5 U/8113 S/V	07.312.1655.0	10
for <i>wiecon</i> PC board connector with spacing 7,5mm							
5. Cross connector with screws	2 pole	IVB WK 2,5-2	Z7.280.2227.0	10	IVB WK 2,5-2	Z7.280.2227.0	10
insulated	3 pole	IVB WK 2,5-3	Z7.280.2327.0	10	IVB WK 2,5-3	Z7.280.2327.0	10
	12 pole	IVB WK 2,5-12	Z7.280.3227.0	10	IVB WK 2,5-12	Z7.280.3227.0	10
6. Connection rail, tin-plated brass ¹⁾	L = 0.4m		05.561.4115.0	1		05.561.4115.0	1
7. Partition plate with marking facility		TS 2,5 GELB	07.311.2053.8	10	TS 2,5 GELB	07.311.2053.8	10
8. Single cover with marking facility		AD VB 2,5 GELB	04.326.2053.8	10	AD VB 2,5 GELB	04.326.2053.8	10
9. Cover strip for PCB terminal	24 pole		04.343.9056.8	10		04.343.9056.8	10
with warning symbol	24 pole		04.343.9156.8	10		04.343.9156.8	10
Cover strip for LED (transparent)	10 pole	AD VB 5/10 P	04.342.3556.8	10			
10. Coding strip			05.561.0053.0	100		05.561.0053.0	100
11. Locking piece	10 pole						
For more accessories see pages 60-77							
For marking systems see pages 70-75							
¹⁾ For jumpering the negative potential for the LED blocks							



WK 2,5 U/D/8113 S/H

fine-stranded solid	V	A
0.5-2.5mm ² 0.5-4mm ²	250V/4kV/3	12
No. 22-12 AWG	300V	20
No. 24-12 AWG	300V	15

5mm
 9mm

Typ 8113 B/..., 8313 B/...

Mating orientation with the wire

fine-stranded solid	V	A
0.5-2.5mm ² 0.5-4mm ²	250V/400V	12
No. 22-12 AWG	300V	15
No. 24-12 AWG	300V	15

Typ 8113 B/..., 8313 B/...

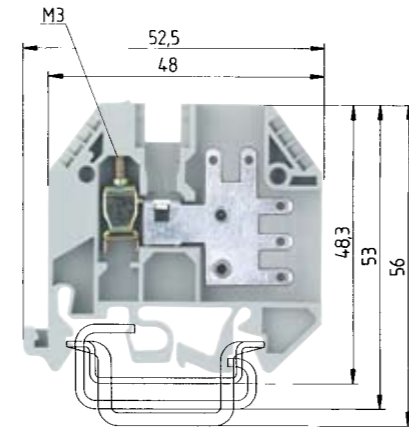
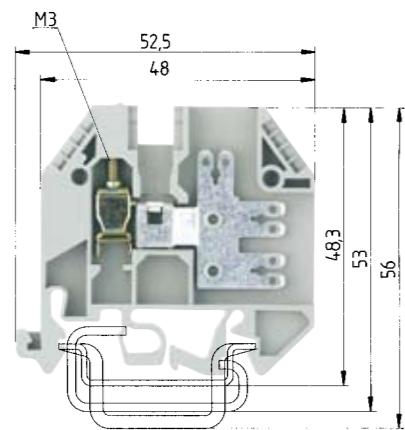
Mating orientation 90° towards the wire

fine-stranded solid	V	A
0.5-2.5mm ² 0.5-4mm ²	250V/400V	12
No. 22-12 AWG	300V	15
No. 24-12 AWG	300V	15

Type	Part No.	Std. Pack	Type	Part No.	Std. Pack	Type	Part No.	Std. Pack
WK 2,5 U/8113 S/H	57.503.2055.0	100	Spacing 5.00mm			Spacing 5.00mm		
			Rated voltage 250V			Rated voltage 250V		
			Unmarked			Unmarked		
			8113 B/2 0B	25.320.3253.0	2	8113 B/2 VR 0B	25.325.3253.0	2
			to			to		
			8113 B/16 0B	25.320.4653.0	16	8113 B/16 VR 0B	25.325.4653.0	16
			Marked with 1- x			Marked with 1- x		
35 x 27 x 7,5 EN 60715	98.300.0000.0	1	8113 B/2	25.320.0253.0	2	8113 B/2	25.325.0253.0	2
35 x 24 x 15 EN 60715	98.360.0000.0	1	to			to		
9006 EN 60715 G-32	98.190.0000.0	1	8113 B/16	25.320.1653.0	16	8113 B/16	25.325.1653.0	16
WE 1/U	Z5.523.5753.0	100						
9708/2 S 35	Z5.522.8553.0	100						
WEF 1/35	Z5.523.9353.0	100						
AP 2,5 U/8113 S/H	07.311.9855.0	10	Spacing 7.50mm					
			Rated voltage 400V					
			Unmarked					
			8313 B/2 0B	25.360.3253.0	2			
			to					
IVB WK 2,5-2	Z7.280.2227.0	10	8313 B/12 0B	25.360.4253.0	12			
IVB WK 2,5-3	Z7.280.2327.0	10						
IVB WK 2,5-12	Z7.280.3227.0	10						
			Marked with 1- x					
TS 2,5 GELB	07.311.2053.8	10	8313 B/2	25.360.0253.0	2			
AD VB 2,5 GELB	04.326.2053.8	10	to					
			8313 B/12	25.360.1253.0	12			
	05.584.0053.0	100						
	05.576.5853.0	25	Accessories:			Accessories:		
			Coding piece	05.561.9153.0		Coding piece	05.561.9153.0	
			For additional pluggable blocks, see wiecon product family			For additional pluggable blocks, see wiecon product family		

Feed-through blocks with screw/push-on connection

selos PLUG



Push-on connectors 2.8x0.8 according to DIN 46247
Push-on connectors 6.3x0.8 according to DIN 46247

Push-on connectors 2.8x0.8 according to DIN 46247

WK 4 3-6 S 1 K/U

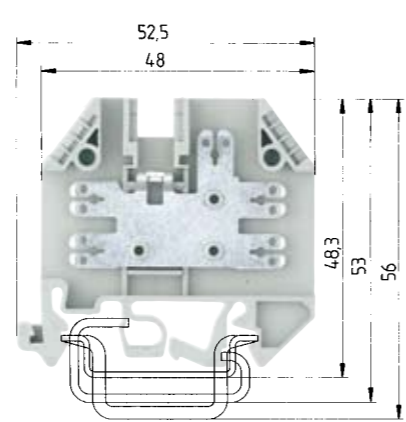
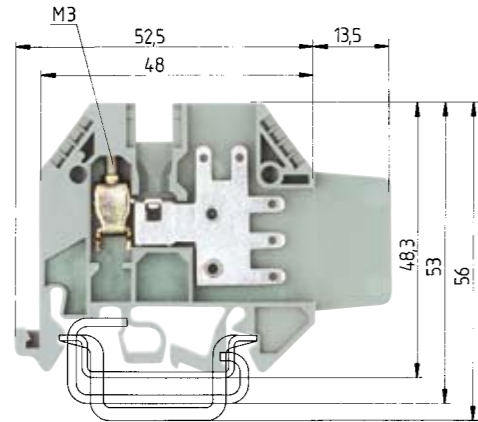
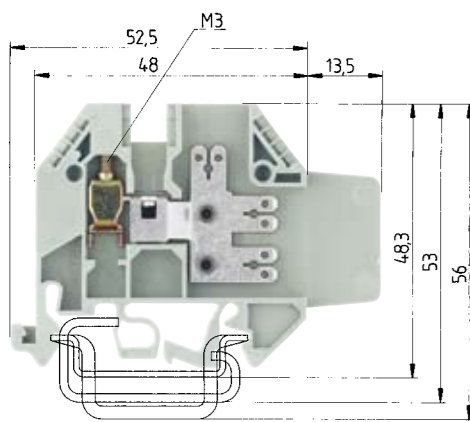
fine-stranded	solid	V	A
0.5-4 mm ²	0.5-6 mm ²	800 V/8 kV/3	20*)
No. 22-12 AWG		300 V	10
No. 22-12 AWG		300 V	10
6 mm			9 mm

WK 4 5 S 2,8 1 K/U

fine-stranded	solid	V	A
0.5-4 mm ²	0.5-6 mm ²	800 V/8 kV/3	20*)
No. 22-12 AWG		300 V	10
No. 22-12 AWG		300 V	10
6 mm			9 mm

Ratings for use of insulating sleeves
EN 60947-7-1, EN 61210
UL ratings
CSA ratings
Width
Approvals

	Type	Part No.	Std. Pack	Type	Part No.	Std. Pack	
Feed-through block	gray	WK 4 3-6 S 1 K/U	57.504.3755.0	100	WK 4 5 S 2,8 1 K/U	57.504.3855.0	100
with push-on connection							
Accessories							
1. Mounting rail TS 35, DIN rail 7.5 mm high	L = 2 m	35 x 27 x 7,5 EN 60715	98.300.0000.0	1	35 x 27 x 7,5 EN 60715	98.300.0000.0	1
Mounting rail TS 35, DIN rail, 15 mm high	L = 2 m	35 x 24 x 15 EN 60715	98.360.0000.0	1	35 x 24 x 15 EN 60715	98.360.0000.0	1
Mounting rail TS 32, G rail	L = 2 m	9006 EN 60715 G-32	98.190.0000.0	1	9006 EN 60715 G-32	98.190.0000.0	1
2. End clamp with U-foot	10 mm wide	W 1/U	Z5.523.5753.0	100	WE 1/U	Z5.523.5753.0	100
End clamp TS 35, with screw	8 mm wide	9708/2 S 35	Z5.522.8553.0	100	9708/2 S 35	Z5.522.8553.0	100
End clamp TS 35, without screw	8 mm wide	WEF 1/35	Z5.523.9353.0	100	WEF 1/35	Z5.523.9353.0	100
3. End plate	gray	AP4 3 S 1 K	07.311.3855.0	10	AP4 3 S 1 K	07.311.3855.0	10
	blue						
4. Cross connector with screws	2 pole	IVB WK 4-2	Z7.281.1227.0	10	IVB WK 4-2	Z7.281.1227.0	10
insulated	3 pole	IVB WK 4-3	Z7.281.1327.0	10	IVB WK 4-3	Z7.281.1327.0	10
	up to 12 pole	IVB WK 4-12	Z7.281.2227.0	10	IVB WK 4-12	Z7.281.2227.0	10
5. Partition plate with marking facility		TS 4 GELB	07.311.2153.8	10	TS 4 GELB	07.311.2153.8	10
6. Single cover with marking facility		AD VB 4 GELB	04.326.2153.8	10	AD VB 4 GELB	04.326.2153.8	10
7. Insulating sleeve for tab connector							
for H0. V-K 1.5 mm ²	yellow		05.592.7553.0	2000		05.592.7553.0	2000
for H0. V-K 2.5 mm ²	yellow		05.592.7653.0	2000		05.592.7653.0	2000
For more accessories see pages 60-77							
For marking systems see pages 70-75							
* Current carrying capability according to DIN 46249							



Push-on connectors 2.8x0.8 according to DIN 46247
Push-on connectors 6.3x0.8 according to DIN 46247

Push-on connectors 2.8x0.8 according to DIN 46247

Push-on connectors 2.8x0.8 according to DIN 46247
Push-on connectors 6.3x0.8 according to DIN 46247

WK 4-3-6 S 1 K/IW/U

fine-stranded solid	V	A
0.5-4mm ²	0.5-6mm ²	800V/8kV/3 20*)
No. 22-12 AWG	600V	10
No. 22-12 AWG	300V	10
6mm		9mm



WK 4-5 S 2,8 1 K/IW/U

fine-stranded solid	V	A
0.5-4mm ²	0.5-6mm ²	800V/8kV/3 20*)
No. 22-12 AWG	600V	10
No. 22-12 AWG	300V	10
6mm		9mm



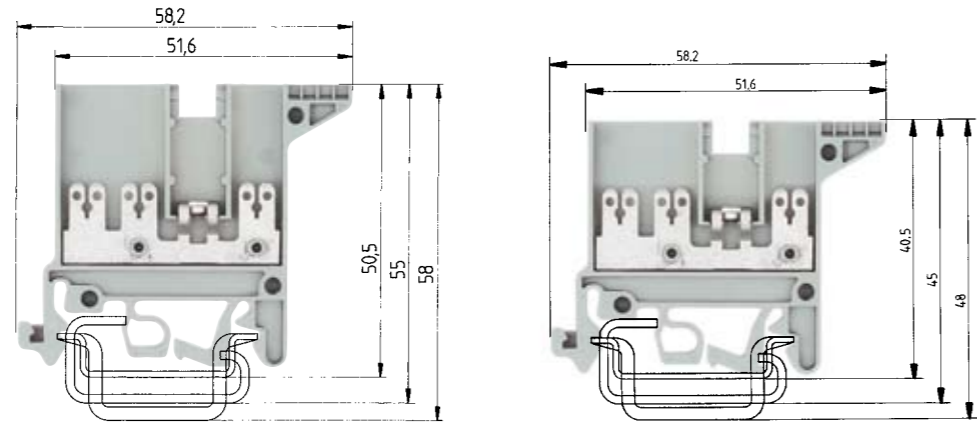
WK/5-10 S/U

fine-stranded solid	V	A
	800V/8kV/3	20*)
No. 22-12 AWG	300V	10
No. 22-12 AWG	300V	10
6mm		



Type	Part No.	Std. Pack	Type	Part No.	Std. Pack	Type	Part No.	Std. Pack
WK 4-3-6 S 1 K/IW/U	57.504.2755.0	100	WK 4-5 S 2,8 1 K/IW/U	57.504.2855.0	100	WK/5-10 S/U	57.504.3655.0	100
35 x 27 x 7,5 EN 60715	98.300.0000.0	1	35 x 27 x 7,5 EN 60715	98.300.0000.0	1	35 x 27 x 7,5 EN 60715	98.300.0000.0	1
35 x 24 x 15 EN 60715	98.360.0000.0	1	35 x 24 x 15 EN 60715	98.360.0000.0	1	35 x 24 x 15 EN 60715	98.360.0000.0	1
9006 EN 60715 G-32	98.190.0000.0	1	9006 EN 60715 G-32	98.190.0000.0	1	9006 EN 60715 G-32	98.190.0000.0	1
WE 1/U	Z5.523.5753.0	100	WE 1/U	Z5.523.5753.0	100	WE 1/U	Z5.523.5753.0	100
9708/2 S 35	Z5.522.8553.0	100	9708/2 S 35	Z5.522.8553.0	100	9708/2 S 35	Z5.522.8553.0	100
WEF 1/35	Z5.523.9353.0	100	WEF 1/35	Z5.523.9353.0	100	WEF 1/35	Z5.523.9353.0	100
AP4 3 S 1 K	07.311.3855.0	10	AP4 3 S 1 K	07.311.3855.0	10	AP 5 S	07.311.4655.0	10
IVB WK 4-2	Z7.281.1227.0	10	IVB WK 4-2	Z7.281.1227.0	10	IVB WKI 4-2	Z7.271.4227.0	10
IVB WK 4-3	Z7.281.1327.0	10	IVB WK 4-3	Z7.281.1327.0	10	IVB WKI 4-3	Z7.271.4327.0	10
IVB WK 4-12	Z7.281.2227.0	10	IVB WK 4-12	Z7.281.2227.0	10	IVB WKI 4-12	Z7.271.5227.0	10
TS 4 GELB	07.311.2153.8	10	TS 4 GELB	07.311.2153.8	10	TS 4 GELB	07.311.2153.8	10
AD VB 4 GELB	04.326.2153.8	10	AD VB 4 GELB	04.326.2153.8	10	AD VB 4 GELB	04.326.2153.8	10
	05.592.7553.0	2000		05.592.7553.0	2000		05.592.7553.0	2000
	05.592.7653.0	2000		05.592.7653.0	2000		05.592.7653.0	2000

Distribution terminals with screw/push-on connection



Current carrying capability in accordance with
DIN 46249
Tab connector 2.8 10 A
6.3 20 A

Ratings for use of insulating sleeves
EN 60947-7-1, EN 61210
UL ratings Field/factory wiring
CSA ratings
Width Wire strip length
Approvals

Push-on connectors 2.8x0.8 according to DIN 46247
Push-on connectors 6.3x0.8 according to DIN 46247

WK/3-6 S/IW/U

fine-stranded	solid	V	A
0.5-4 mm ²	0.5-6 mm ²	800 V/8 kV/3	20
		600 V	10
No. 22-12 AWG		300 V	10



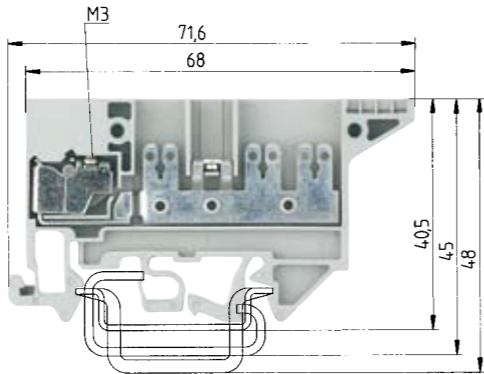
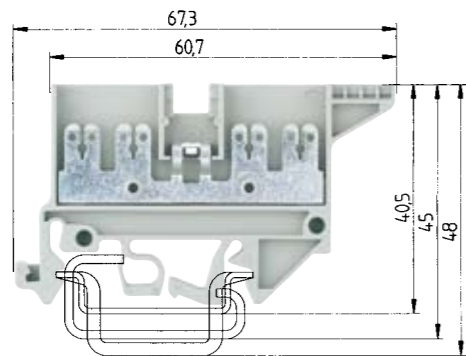
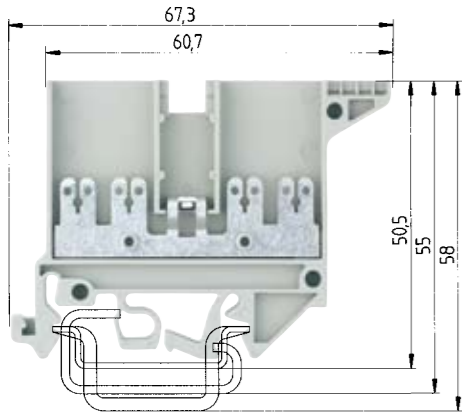
Push-on connectors 2.8x0.8 according to DIN 46247
Push-on connectors 6.3x0.8 according to DIN 46247

WK/3-6 S/U

fine-stranded	solid	V	A
		800 V/8 kV/3	20
		300 V	10
No. 24-12 AWG		300 V	10



	Type	Part No.	Std. Pack	Type	Part No.	Std. Pack	
Feed-through block	gray	WK/3-6 S/IW/U	57.504.6755.0	100	WK/3-6 S/U	57.504.6655.0	100
with push-on connection							
Accessories							
1. Mounting rail TS 35, DIN rail 7.5 mm high	L = 2 m	35 x 27 x 7.5 EN 60715	98.300.0000.0	1	35 x 27 x 7.5 EN 60715	98.300.0000.0	1
Mounting rail TS 35, DIN rail, 15 mm high	L = 2 m	35 x 24 x 15 EN 60715	98.360.0000.0	1	35 x 24 x 15 EN 60715	98.360.0000.0	1
Mounting rail TS 32, G rail	L = 2 m	9006 EN 60715 G-32	98.190.0000.0	1	9006 EN 60715 G-32	98.190.0000.0	1
2. End clamp with U-foot	10 mm wide	W 1/U	Z5.523.5753.0	100	WE 1/U	Z5.523.5753.0	100
End clamp TS 35, with screw	8 mm wide	9708/2 S 35	Z5.522.8553.0	100	9708/2 S 35	Z5.522.8553.0	100
End clamp TS 35, without screw	8 mm wide	WEF 1/35	Z5.523.9353.0	100	WEF 1/35	Z5.523.9353.0	100
3. End plate	gray	AP 3 S/IW	07.311.4455.0	50	AP 3 S	07.311.4455.0	50
	blue						
4. Cross connector with screws	2 pole	VB WK/...S/IW/U-2	Z7.281.3227.0	10	9703/6-2	Z7.211.0227.0	50
	3 pole	VB WK/...S/IW/U-3	Z7.281.3327.0	10	9703/6-3	Z7.211.0327.0	50
	up to 6 pole	VB WK/...S/IW/U-6	Z7.281.3627.0	10	9703/6-6	Z7.211.0627.0	50
5. Partition plate with marking facility		TS 4 GELB	07.311.2153.8	10	TS 4 GELB	07.311.2153.8	10
6. Single cover with marking facility		AD VB 4 GELB	04.326.2153.8	10	AD VB 4 GELB	04.326.2153.8	10
7. Insulating sleeve for tab connector							
for H0. V-K 1.5 mm ²	yellow		05.592.7553.0	2000		05.592.7553.0	2000
for H0. V-K 2.5 mm ²	yellow		05.592.7653.0	2000		05.592.7653.0	2000
For more accessories see pages 60-77							
For marking systems see pages 70-75							



Push-on connectors 2.8x0.8 according to DIN 46247
Push-on connectors 6.3x0.8 according to DIN 46247

Push-on connectors 2.8x0.8 according to DIN 46247
Push-on connectors 6.3x0.8 according to DIN 46247

Push-on connectors 2.8x0.8 according to DIN 46247
Push-on connectors 6.3x0.8 according to DIN 46247

WK/4-8 S/IW/U

fine-stranded solid V A
800 V/8 kV/3 20
600 V 10
No. 22-12 AWG 300 V 10
6 mm



WK/4-8 S/U

fine-stranded solid V A
800 V/8 kV/3 20
300 V 10
No. 22-12 AWG 300 V 10
6 mm



WK/3-6 S KO/U

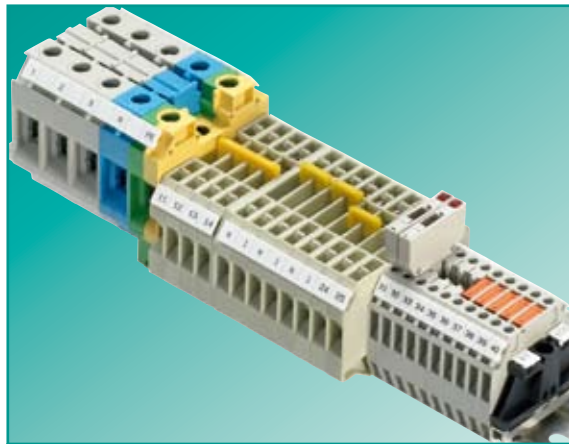
fine-stranded solid V A
0.5-4 mm² 690 V/8 kV/3 20
No. 22-12 AWG 300 V 10
No. 22-12 AWG 300 V 10
6 mm 9 mm



Type	Part No.	Std. Pack	Type	Part No.	Std. Pack	Type	Part No.	Std. Pack
WK/4-8 S/IW/U	57.504.6355.0	100	WK/4-8 S/U	57.504.6255.0	100	WK/3-6 S KO/U	57.504.7355.0	100
35 x 27 x 7,5 EN 60715	98.300.0000.0	1	35 x 27 x 7,5 EN 60715	98.300.0000.0	1	35 x 27 x 7,5 EN 60715	98.300.0000.0	1
35 x 24 x 15 EN 60715	98.360.0000.0	1	35 x 24 x 15 EN 60715	98.360.0000.0	1	35 x 24 x 15 EN 60715	98.360.0000.0	1
9006 EN 60715 G-32	98.190.0000.0	1	9006 EN 60715 G-32	98.190.0000.0	1	9006 EN 60715 G-32	98.190.0000.0	1
WE 1/U	Z5.523.5753.0	100	WE 1/U	Z5.523.5753.0	100	WE 1/U	Z5.523.5753.0	100
9708/2 S 35	Z5.522.8553.0	100	9708/2 S 35	Z5.522.8553.0	100	9708/2 S 35	Z5.522.8553.0	100
WEF 1/35	Z5.523.9353.0	100	WEF 1/35	Z5.523.9353.0	100	WEF 1/35	Z5.523.9353.0	100
AP 4 S/IW	07.311.4355.0	50	AP 4 S	07.311.4255.0	10	9701 A/6 1 S KO TP 2	07.310.5855.0	50
VB WK/...S/IW/U-2	Z7.281.3227.0	10	9703/6-2	Z7.211.0227.0	50	2072/2	Z7.220.0227.0	50
VB WK/...S/IW/U-3	Z7.281.3327.0	10	9703/6-3	Z7.211.0327.0	50	2072/2	Z7.220.0227.0	50
VB WK/...S/IW/U-6	Z7.281.3627.0	10	9703/6-6	Z7.211.0627.0	50	2072/6	Z7.220.0627.0	50
TS 4 GELB	07.311.2153.8	10	TS 4 GELB	07.311.2153.8	10			
AD VB 4 GELB	04.326.2153.8	10	AD VB 4 GELB	04.326.2153.8	10			
	05.592.7553.0	2000		05.592.7553.0	2000		05.592.7553.0	2000
	05.592.7653.0	2000		05.592.7653.0	2000		05.592.7653.0	2000

Instrument isolating terminal with screw connection

selos IOS



selos instrument isolating terminals are designed for use in power generation and supply. Special devices are used to measure electrical energy i.e. so-called current and voltage converters. One wrong connection during commissioning or maintenance work can easily destroy these and cause significant subsequent damage due to power failures. Current converters must always have a closed secondary circuit. This also applies when the connected measuring devices are disconnected. Instrument isolating terminals were developed especially for this application.

All circuits occurring during everyday practice can be easily implemented with the instrument isolating terminals of type WK(N) 6 TK.

In this connection an assortment of coordinated accessories (e.g., cross connectors or disconnect locking devices) are available.

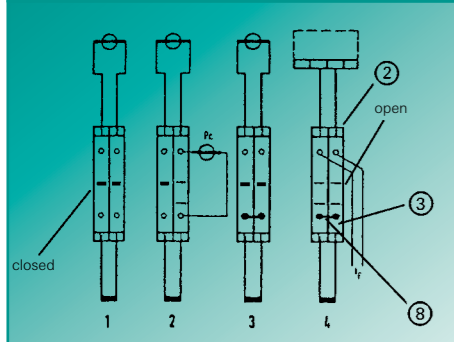
Technical data as per EN 60947-7:

Rated cross section:	6 mm ²	Rated current:	Up to 57 A
Rated voltage:	400 V	Connection capacity:	0.5- 10 mm ²



Applications with current converter

- Electrical measuring converters are used to measure larger currents (e.g., 1000 A) as well as higher voltages. These converters convert the variables to be measured to a level (e.g., 5 A) which can be easily processed by the measuring instrument.
- Current converters may only be operated with very low load resistance or with short-circuited secondary circuit. No-load operation of the current converter must be prevented since this causes high voltages on the output blocks and the converter can destroy itself.



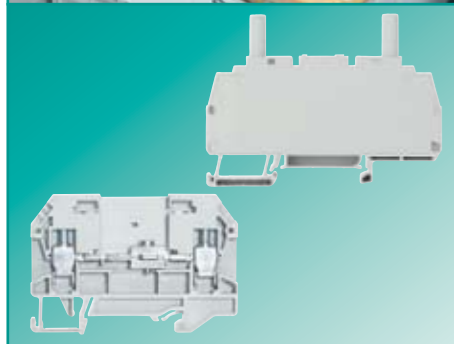
Current converter circuiting

- Current converter circuits must always have a closed secondary current circuit.
- When comparison measuring devices are being connected, the current circuit may not be interrupted.
- The converter connection blocks must be short-circuited when the measuring device is exchanged.
- The converter must be short-circuited and the current circuit must be opened for device tests with external measuring devices.



Solutions from Wieland

- Wieland instrument isolating terminals... an integrated switchable disconnect point in series to the measuring device.
- Additional auxiliary connections on both sides of the disconnect point permit a switchable or fixed cross connection between adjacent blocks parallel to the measuring converter.
- The type WK(N) 6 TK include accessories and are protected against accidental finger touch as per BGV A2.



selos instrument isolating terminals

All circuits occurring during everyday practice can be implemented with the WK 6 TK or WKN 6 TK instrument isolating terminal and a few accessory parts.

The WKN 6 TK block is a clearly-organized, convenient and user-friendly instrument isolating terminal with accidental finger touch protection as per BGV A2.

In addition, the WK 6 TK block offers extended circuiting facilities with additional jumper channels and specially designed, replaceable test sockets for safety test plugs.



Test sockets

Reference measurements and test signals

- All blocks have test sockets integrated on both sides of the disconnect point for reference measurements and test signals.
- All test sockets are protected against accidental finger touch.
- The test sockets are suitable for both conventional and safety test plugs.



Short-circuit contact

Short-circuiting the current converter

- The converter short circuit is switched with the short circuit contact which is protected against accidental touch.
- Activation of the termination points is only possible with the short-circuit jumper inserted. This is an additional safety measure during operation.



Cross connectors

Distributing and combining potentials

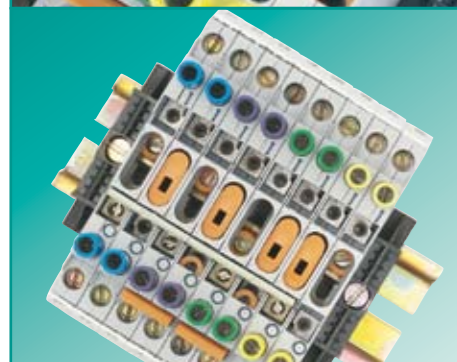
- Up to two additional cross connectors can be mounted per block to distribute the K point in converter circuits.
- All cross connectors have IP 20 protection against accidental touch.
- Pins can be removed easily in order to skip over blocks.



Disconnect locking device

Connecting converter circuits safely

- Prevents accidental opening or closing of converter circuits.
- The contact separator is blocked in its respective position.
- Easy to mount by hand but removal requires tools.



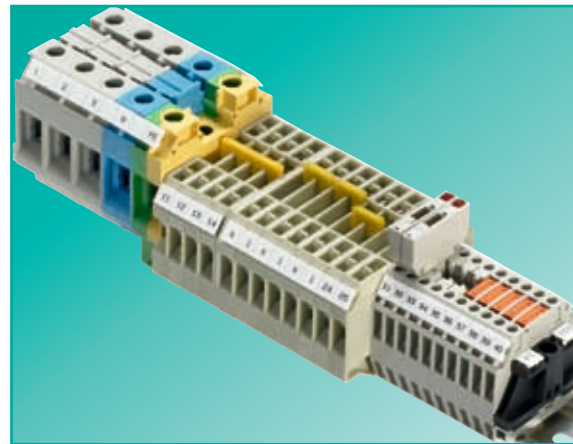
Special accessories

Application-specific special accessories

- Partitions for safe separation of different potentials
- Spacer plates for modification of the spacing for different short-circuit plugs
- Jumper combs for additional potential distribution

Instrument isolating terminal with screw connection

selos



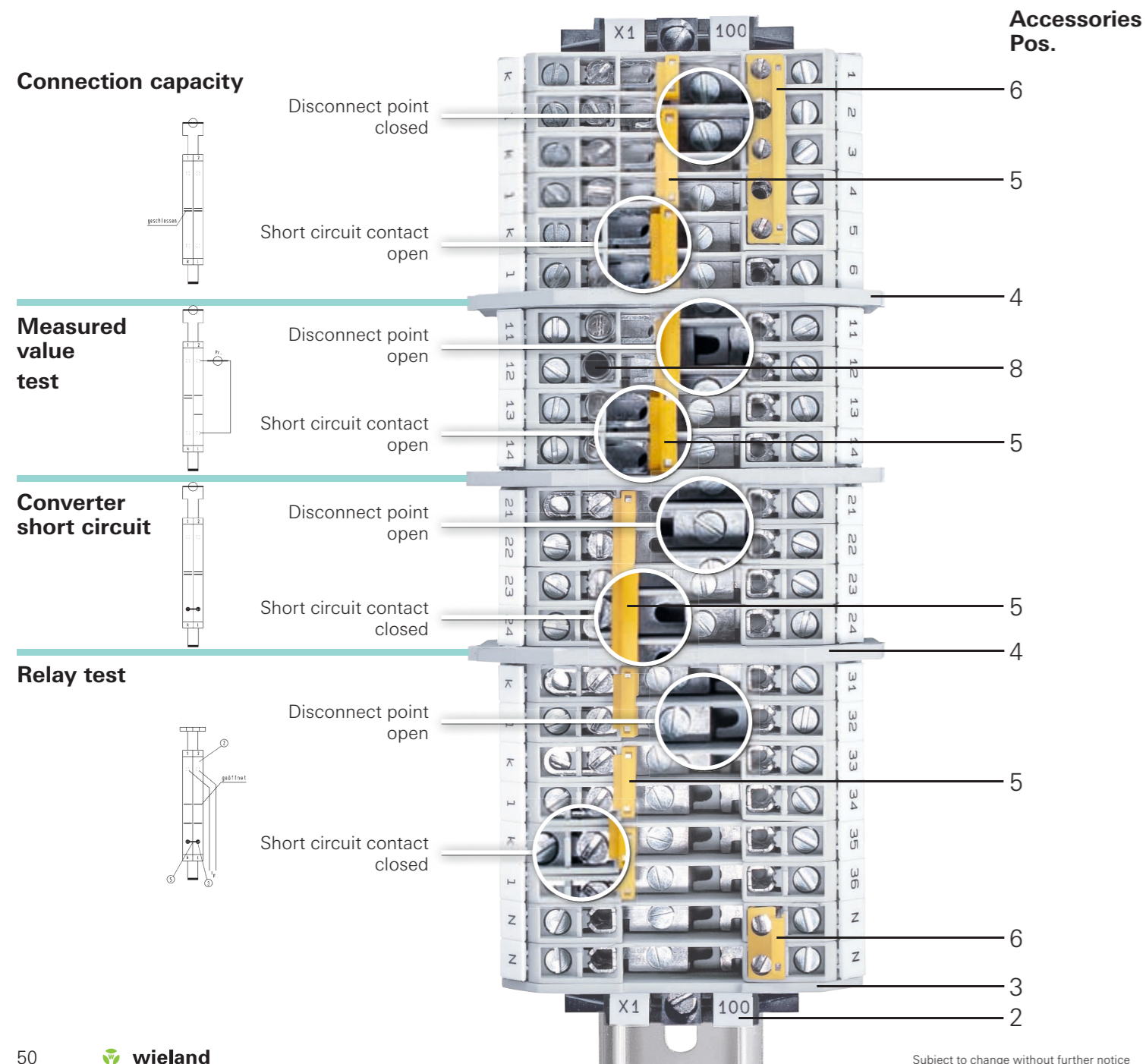
Wieland Electric's **selos** WKN 6 TK block offers a simple and effective DIN rail block solution for use in measuring circuits for current, voltage or energy. All circuits in everyday practice can be neatly implemented with the instrument isolating terminal and a few accessory parts. Only two blocks are needed for simple converter circuits.

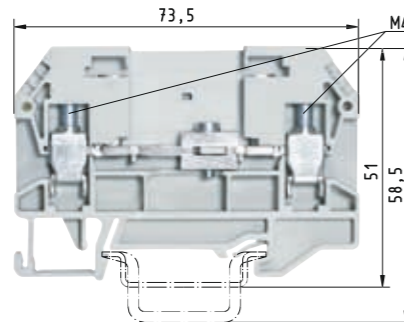
The main focus during the development of this block was clear and simple handling as well as universal usability. All switching states of the block and the converter circuit are clearly recognizable and the extensive accessory program is easy to use.

The block and the accessories meet the requirements of protection against accidental finger touch as per BGV A2.

Technical data as per EN 60947-7:

Rated cross section:	6 mm ²	Rated current:	57 A
Rated voltage:	400 V	Connection capacity:	0.5-10 mm ²





WKN 6 TK

fine-stranded solid V A
 0.5-6 mm² 0.5-10 mm² 400 V/6 kV/3 57

EN 60947-7-1/DIN VDE 0611 T1

UL ratings Field/factory wiring

CSA ratings

Width Wire strip length 8 mm 12 mm

Approvals

pending



	Type	Part No.	Std. Pack
Instrument isolating terminal	WKN6 TK	56.106.0055.0	50
Feed-through block	WKN6 TK D	56.106.0155.0	50
Accessories			
1. Mounting rail TS 35, DIN rail 7.5 mm high L = 2 m	35 x 27 x 7,5 EN 60715	98.300.0000.0	1
Mounting rail TS 35, DIN rail, 15 mm high L = 2 m	35 x 24 x 15 EN 60715	98.360.0000.0	1
Mounting rail TS 32, G rail L = 2 m			
2. End clamp with U-foot 10 mm wide	WE 1/U	Z5.523.5753.0	100
End clamp TS 35, with screw 8 mm wide	9708/2 S 35	Z5.522.8553.0	100
End clamp TS 35, without screw 8 mm wide	WEF 1/35	Z5.523.9353.0	100
3. End plate 2 mm	APN 6 TK	07.313.1755.0	10
4. Partition	TW 6 TK	07.312.0453.0	10
5. Sliding short-circuit slide 2 pole	IVS WKN6 TK-2	Z7.282.7229.0	10
insulated 3 pole	IVS WKN6 TK-3	Z7.282.7329.0	10
4 pole	IVS WKN6 TK-4	Z7.282.7429.0	10
6. Jumper bar with screws 2 pole	IVB WKN6 TK-2	Z7.282.6229.0	10
insulated 3 pole	IVB WKN6 TK-3	Z7.282.6329.0	10
4 pole	IVB WKN6 TK-4	Z7.282.6429.0	10
5 pole	IVB WKN6 TK-5	Z7.282.6529.0	10
6 pole	IVB WKN6 TK-6	Z7.282.6629.0	10
7. Jumper comb 2 pole	IVK WKN 6TK-2	Z7.282.8229.0	10
3 pole	IVK WKN 6TK-3	Z7.282.8329.0	10
4 pole	IVK WKN 6TK-4	Z7.282.8429.0	10
5 pole	IVK WKN 6TK-5	Z7.282.8529.0	10
6 pole	IVK WKN 6TK-6	Z7.282.8629.0	10
8. Test socket gray	SBN 4 GRAU	Z5.511.3553.0	10
violet	SBN 4 VIOLETT	Z5.511.3553.9	10
green	SBN 4 GRÜN	Z5.511.3553.7	10
yellow	SBN 4 GELB	Z5.511.3553.8	10
blue	SBN 4 BLAU	Z5.511.3553.6	10
9. Disconnect locking device	SP WKN 6 TK	05.566.6855.9	50
For more accessories see pages 60-77			
For marking systems see pages 70-75			

Instrument isolating terminal with screw connection WK6 TK

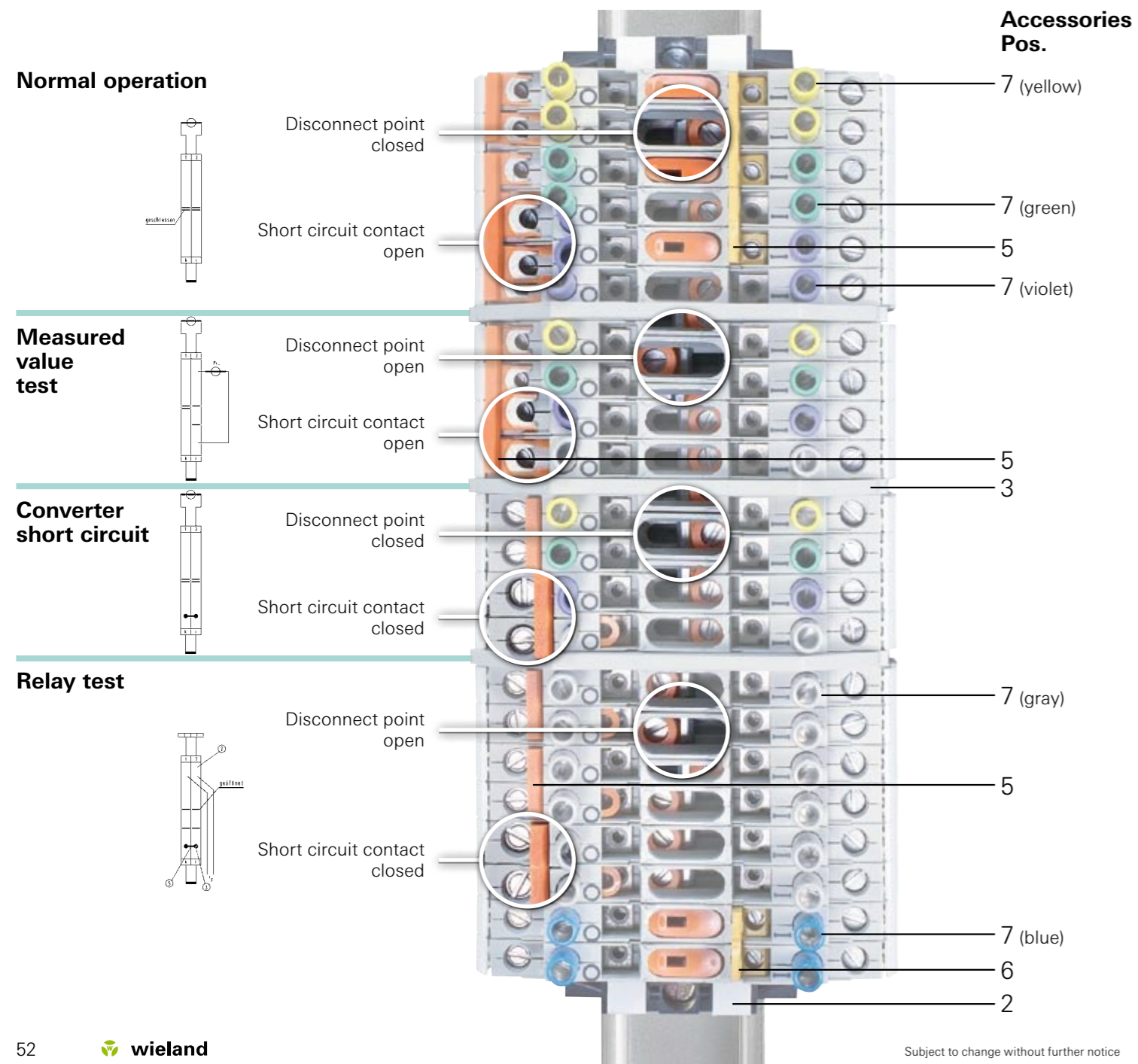


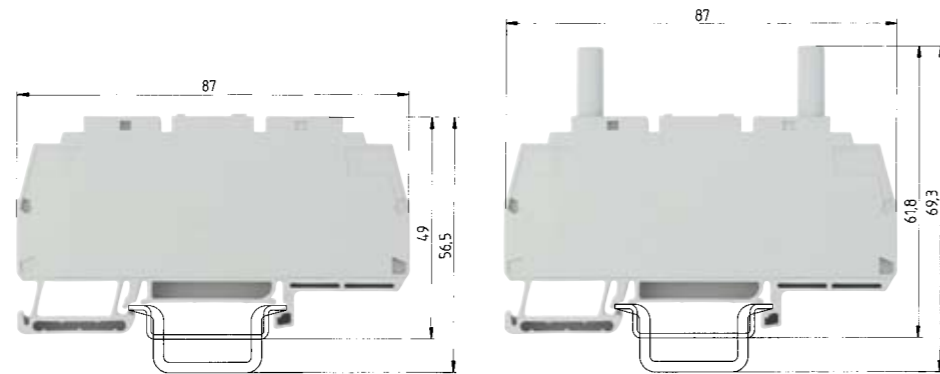
Wieland Electric's **selos** WK 6 TK block offers an optimal DIN rail block solution for all types of measuring circuits of current, voltage or energy. All circuits occurring during everyday practice can be implemented with the Instrument isolating terminal and a few accessories parts.

Complete insulated selectable connecting links are available as standard, as are insulated test sockets in all conventional signal colors. Two additional jumpering facilities permit the installation of fixed cross connections (e.g., for internal distribution of the k point of converter circuits). Standard cross connectors in a wide variety of numbers of pins are available for this purpose. The jumpers are easy to disconnect so that you can skip over blocks.

Technical data as per EN 60947-7:

Rated cross section:	6 mm ²	Rated current:	32 A
Rated voltage:	400 V	Connection capacity:	0.5-10 mm ²





WK6 TK/35

fine-stranded solid V A
 0.5-6mm² 0.5-10mm² 400V/6kV/3 32
 No. 20-8 AWG 600V 45
 No. 20-8 AWG 300V 45



WK6 TK P3/35

fine-stranded solid V A
 0.5-6mm² 0.5-10mm² 400V/6kV/3 32
 No. 20-8 AWG 600V 45
 No. 20-8 AWG 300V 45

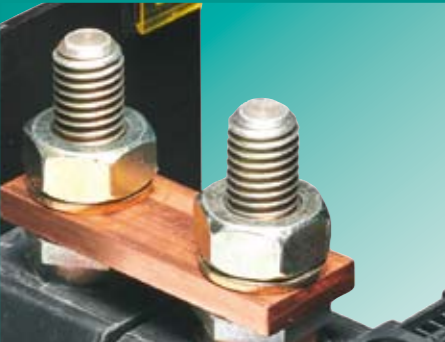
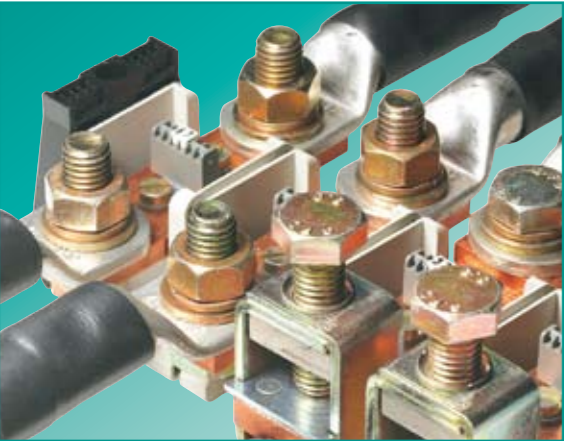


EN 60947-7-1/DIN VDE 0611 T1
 UL ratings Field/factory wiring
 CSA ratings
 Width Wire strip length
 Approvals

	Type	Part No.	Std. Pack		Type	Part No.	Std. Pack
Instrument isolating terminal	WK6 TK/35	56.106.0553.0	50				
Instrument isolating terminal with mounted test sockets					WK6 TK P3/35	56.106.0653.0	50
Accessories							
1. Mounting rail TS 35, DIN rail 7.5mm high L = 2m	35 x 27 x 7,5 EN 60715	98.300.0000.0	1		35 x 27 x 7,5 EN 60715	98.300.0000.0	1
Mounting rail TS 35, DIN rail, 15mm high L = 2m	35 x 24 x 15 EN 60715	98.360.0000.0	1		35 x 24 x 15 EN 60715	98.360.0000.0	1
Mounting rail TS 32, G rail L = 2m							
2. End clamp with U-foot 10mm wide	WE 1/U	Z5.523.5753.0	100		WE 1/U	Z5.523.5753.0	100
End clamp TS 35, with screw 8mm wide	9708/2 S 35	Z5.522.8553.0	100		9708/2 S 35	Z5.522.8553.0	100
End clamp TS 35, without screw 8mm wide	WEF 1/35	Z5.523.9353.0	100		WEF 1/35	Z5.523.9353.0	100
3. Partition	TW 6 TK	07.312.0453.0	10		TW 6 TK	07.312.0453.0	10
4. Intermediate plate 2mm thick	ZP 6 TK	07.312.9953.0	10		ZP 6 TK	07.312.9953.0	10
5. Sliding short-circuit slide 2 pole	IVS WK6 TK-2	Z7.212.2227.0	50		IVS WK6 TK-2	Z7.212.2227.0	50
insulated 3 pole	IVS WK6 TK-3	Z7.212.2327.0	50		IVS WK6 TK-3	Z7.212.2327.0	50
4 pole	IVS WK6 TK-4	Z7.212.2427.0	50		IVS WK6 TK-4	Z7.212.2427.0	50
6. Jumper bar with screws 2 pole	IVB WK6 TK-2	Z7.212.1227.0	50		IVB WK6 TK-2	Z7.212.1227.0	50
insulated 3 pole	IVB WK6 TK-3	Z7.212.1327.0	50		IVB WK6 TK-3	Z7.212.1327.0	50
4 pole	IVB WK6 TK-4	Z7.212.1427.0	50		IVB WK6 TK-4	Z7.212.1427.0	50
5 pole	IVB WK6 TK-5	Z7.212.1527.0	50		IVB WK6 TK-5	Z7.212.1527.0	50
10 pole	IVB WK6 TK-10	Z7.212.2027.0	50		IVB WK6 TK-10	Z7.212.2027.0	50
7. Test socket gray	SB 4 GRAU	05.511.2953.0	10		SB 4 GRAU	05.511.2953.0	10
violet	SB 4 VIOLETT	05.511.2953.9	10		SB 4 VIOLETT	05.511.2953.9	10
green	SB 4 GRÜN	05.511.2953.7	10		SB 4 GRÜN	05.511.2953.7	10
yellow	SB 4 GELB	05.511.2953.8	10		SB 4 GELB	05.511.2953.8	10
blue	SB 4 BLAU	05.511.2953.6	10		SB 4 BLAU	05.511.2953.6	10
8. Disconnect locking device	SP WK6 TK	05.563.5453.0	50		SP WK6 TK	05.563.5453.0	50
For more accessories see pages 60-77							
For marking systems see pages 70-75							

High current terminal blocks with screw connection

selos POWER LINE



selos POWER LINE is designed for use in mechanical and plant engineering, railed travel and in battery applications.

Wieland offers a program which was especially developed for high current applications. The portfolio includes feed through blocks and ring lug terminals. The type RFK feed through blocks in 4 different cross sections between 95 and 240 mm² and different types of connection (e.g., rising cage or ring lug connection) are available.

Ring lug terminals augment the **selos** POWER LINE product line. Blocks with ring lug sizes from M 6 to M 12 are available for the connection of wires with crimped cable shoes.

Extensive accessories optimize the **selos** POWER LINE for a wide variety of applications.

Technical data as per EN 60947-7:

Rated cross section: 95 mm² - 240 mm² Rated current: up to 415 A
Rated voltage: 1000 V

High current blocks, type RFK

- Up to 240 mm² rated cross section
- Cable connection via ring lug connection technology, direct connection with rising cage or hybrid solutions
- Current rails and jumper rails made of E-Cu
- Screw retainer via folded block body or tension disk

Lug ring connection blocks

- For the connection of cable shoes in versions from M 6 to M 12
- Screw retainer via locking washer
- Approved for international rail transportation standards

Accessories for selos POWER

- Covers for provision of protection against accidental touch
- Jumper rails made of E-Cu; 2, 3 and 4-pin
- Partition plates for optical and electrical separation
- All components can be marked with the Wieland standard marking system.

Mounting notice

- When tightening the block screws, we recommend countering by holding the wire to avoid deformation of the mounting rail and to keep the foot of the block free of torsional forces.



BK M ...

V
1000 V/8 kV/3¹⁾ A

DIN VDE 0110
UL ratings
CSA ratings
Width
Approvals

Field/factory wiring

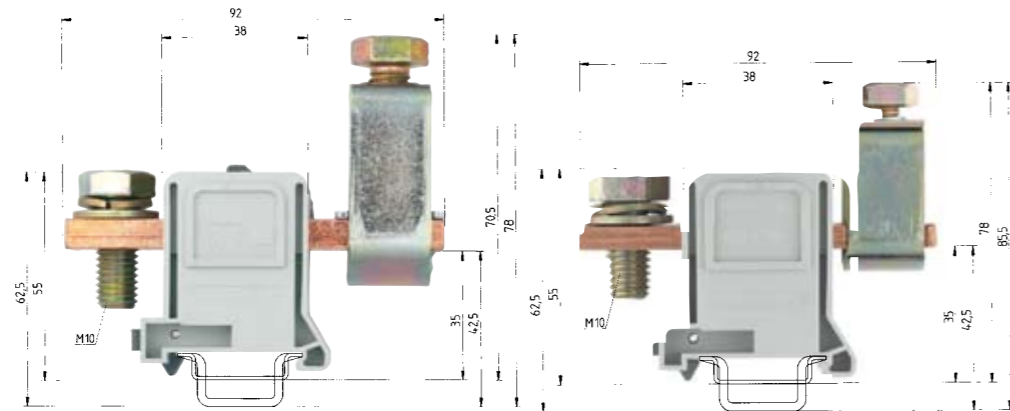
Wire strip length



Ring lug terminal	Type	Part No.	Std. Pack
	BK M 6/35	32.530.0053.0	25
	BK M 8/35	32.540.0053.0	25
	BK M 10/35	32.550.0053.0	25
	BK M 12/35	32.560.0053.0	25
Accessories			
1. Mounting rail TS 35, DIN rail 7.5 mm high L = 2 m	35 x 27 x 7,5 EN 60715	98.300.0000.0	1
Mounting rail TS 35, DIN rail, 15 mm high L = 2 m	35 x 24 x 15 EN 60715	98.360.0000.0	1
2. End clamp with U-foot 10 mm wide	WE 1/U	Z5.523.5753.0	100
End clamp TS 35, with screw 8 mm wide	9708/2 S35	Z5.522.8553.0	100
End clamp TS 35, without screw 8 mm wide	WEF 1/35	Z5.523.9353.0	100
3. Partition for BK M 6	TW BK M 6/35	07.340.3553.0	25
for BK M 8	TW BK M 8/35	07.340.3653.0	25
for BK M 10	TW BK M 10-12/35	07.340.3753.0	25
for BK M 12	TW BK M 10-12/35	07.340.3753.0	25
4. Jumper rails for tab connection blocks from E-Cu			
for 2 blocks BK M 6	VB BK M 6/35-2	07.205.5227.0	20
for 3 blocks BK M 6	VB BK M 6/35-3	07.205.5327.0	10
for 2 blocks BK M 8	VB BK M 8/35-2	07.205.7227.0	20
for 3 blocks BK M 8	VB BK M 8/35-3	07.205.7327.0	10
for 2 blocks BK M 10	VB BK M 10/35-2	07.205.8227.0	20
for 3 blocks BK M 10	VB BK M 10/35-3	07.205.8327.0	10
for 2 blocks BK M 12	VB BK M 12/35-2	07.205.9227.0	20
for 3 blocks BK M 12	VB BK M 12/35-3	07.205.9327.0	10
5. Cover for BK M 6	AD BK M 6-8/35	04.304.0181.0	1
for BK M 8	AD BK M 6-8/35	04.304.0181.0	1
for BK M 10	AD BK M 10-12/35	04.304.0281.0	1
for BK M 12	AD BK M 10-12/35	04.304.0281.0	1
6. Installation clip for Cover		05.564.0753.0	10
For marking systems see pages 70-75	¹⁾ with partition TW BK		

Type	Width	Height	Rated current
BK M 6	19 mm	56 mm	125 A
BK M 8	24 mm	65 mm	150 A
BK M 10	35 mm	72 mm	265 A
BK M 12	35 mm	74 mm	265 A

Detailed drawing data on request.



RFK 1/95... S35

fine-stranded V
16-95 mm²
6-3/0 AWG
6-3/0 AWG
32 mm
M10

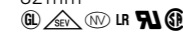
A
1000V
600V
600V
27 mm

RFK 1/150... S35

fine-stranded
70-150 mm²
0 AWG - 300 MCM
0 AWG - 300 MCM
42 mm
M10

V
1000V
600V
600V
335
275
300
27 mm

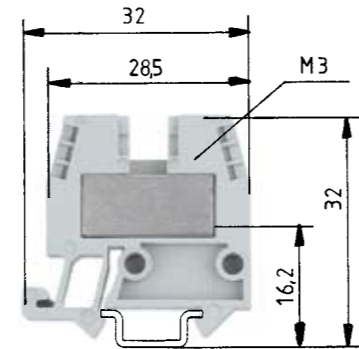
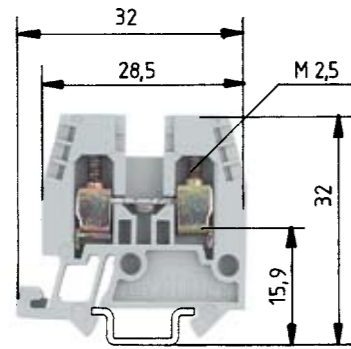
DIN VDE 0611 Teil 1/EN 60947-7-1
UL ratings Field/factory wiring
CSA ratings
Width Wire strip length
Approvals



Configurations		Type	Part No.	Std. Pack	Type	Part No.	Std. Pack
gray	F	RFK 1/95 F S 35	56.395.0055.0	10	RFK 1/150 F S35	56.397.0055.0	10
gray	K	RFK 1/95 K S 35	56.395.0155.0	10	RFK 1/150 K S35	56.397.0155.0	10
gray	FK	RFK 1/95 FK S 35	56.395.0255.0	10	RFK 1/150 FK S35	56.397.0255.0	10
gray	FM	RFK 1/95 FM S 35	56.395.1055.0	10			
gray	FMK	RFK 1/95 FMK S 35	56.395.1255.0	10	RFK 1/150 FMK S35	56.397.1255.0	10
Accessories							
1.	Mounting rail TS 35, DIN rail 7.5mm high L = 2m	35 x 27 x 7.5 EN 60715	98.300.0000.0	1	35 x 27 x 7.5 EN 60715	98.300.0000.0	1
	Mounting rail TS 35, DIN rail, 15mm high L = 2m	35 x 24 x 15 EN 60715	98.360.0000.0	1	35 x 24 x 15 EN 60715	98.360.0000.0	1
	Mounting rail TS 32, G rail L = 2m						
2.	End clamp with U-foot 10mm wide	WE 2/U	Z5.523.5653.0	100	WE 2/U	Z5.523.5653.0	100
	End clamp TS 35, with screw 8mm wide	9708/2 S35	Z5.522.8553.0	100	9708/2 S35	Z5.522.8553.0	100
	End clamp TS 35, without screw 8mm wide	WEF 1/35	Z5.523.9353.0	100	WEF 1/35	Z5.523.9353.0	100
3.	Cover for RFK 1/... yellow		Z7.409.5753.0	10		Z7.409.5853.0	10
4.	Partition/end plate PA 6.6 2.8mm thick	TE/RFK 1/95	07.340.0353.0	50	TE/RFK 1/150 - 240 PA	07.340.1053.0	50
5.	Jumper bar for tab connection blocks from E-Cu						
	for 2 blocks	VB RFK 1/95/2/32	07.205.1227.0	20	VB RFK 1/185/2	07.201.4227.0	10
	for 3 blocks	VB RFK 1/95/3/32	07.205.1327.0	10	VB RFK 1/185/3	07.201.4327.0	10
	for 4 blocks	VB RFK 1/95/4/32	07.205.1427.0	10	VB RFK 1/185/4	07.201.4427.0	10

For marking systems see pages 70-75

Mini blocks with screw connection for TS 15

0344 Ex II 2GD IM2
 Ex e I/II
 EN 60947-7-2/DIN VDE 0611 T3
 UL ratings Field/factory wiring
 CSA ratings
 KEMA 02 ATEX 2114 U¹⁾ EN 60079-0/EN 60079-7
 Width Wire strip length
 Approvals

WKM 2,5/15

fine-stranded solid V A
 0.5-2.5mm² 0.5-4mm² 500V/6kV/3 25
 No. 22-14 AWG 300V 10
 No. 22-12 AWG 600V 25
 0.5-2.5mm² 0.5-4mm² 275V 20/20²⁾
 5mm 9mm
 ATEX LR AEx I Ex

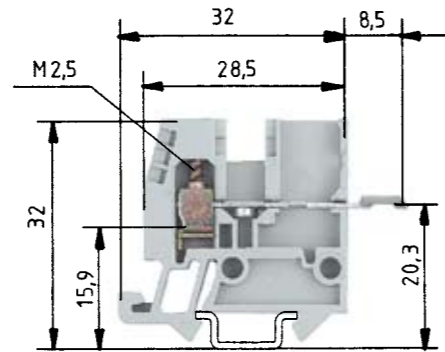
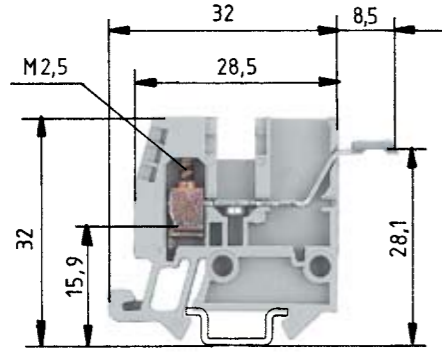
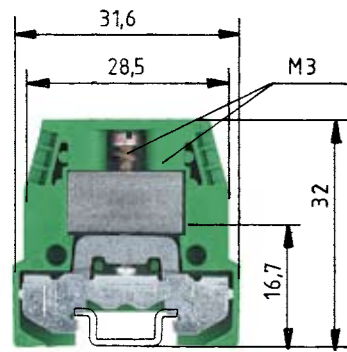
WKM 4/15

fine-stranded solid V A
 0.5-4mm² 0.5-6mm² 500V/6kV/3 28
 No. 22-10 AWG 600V 30
 No. 20-10 AWG 600V 37
 0.5-4mm² 0.5-6mm² 275V 21/27²⁾
 6mm 9mm
 ATEX LR AEx I Ex

	Type	Part No.	Std. Pack	Type	Part No.	Std. Pack	
Feed-through blocks with solder connection	gray						
Feed-through block	gray	WKM 2,5/15	55.503.1053.0	100	WKM 4/15	55.504.1053.0	100
Feed-through block	blue	WKM 2,5/15 BLAU	55.503.1053.6	100	WKM 4/15 BLAU	55.504.1053.6	100
Ground block	green/yellow						
Accessories							
1. Mounting rail 15, DIN rail 5,5mm high	L = 2m	9021/15 x 5,5 EN 60715	98.090.0015.0	10	9021/15 x 5,5 EN 60715	98.090.0015.0	10
2. End clamp, Polyamide	7.5 mm wide	9208 S 15	Z5.522.7553.0	100	9208 S 15	Z5.522.7553.0	100
3. End plate	gray	APM 2,5 - 4/15	07.311.0853.0	10	APM 2,5 - 4/15	07.311.0853.0	10
	blue	APM 2,5 - 4/15 BLAU	07.311.0853.6	10	APM 2,5 - 4/15 BLAU	07.311.0853.6	10
4. Partition	gray	TWM 2,5 - 4/15	07.311.1853.0	10	TWM 2,5 - 4/15	07.311.1853.0	10
	blue	TWM 2,5 - 4/15 BLAU	07.311.1853.6	10	TWM 2,5 - 4/15 BLAU	07.311.1853.6	10
5. Cross connector with screws, E-Cu	2 pole	VB WKM 2,5/15-2	Z7.215.4227.0	50	IVB WK 4 E/U-2	Z7.271.2227.0	10
	3 pole	VB WKM 2,5/15-3	Z7.215.4327.0	50	IVB WK 4 E/U-3	Z7.271.2327.0	10
	to 6 pole	VB WKM 2,5/15-6	Z7.215.4627.0	50			
	to 12 pole				IVB WK 4 E/U-12	Z7.271.3227.0	10
	60 pole	VB WKM 2,5/15 M60	Z7.215.4027.0	10			
6. Single cover f. cross conn. with marking facility		AD VB 2,5/15 GELB	04.326.3053.8	10	AD VB 4/15 GELB	04.326.2953.8	10
7. Partition plate with marking facility		TSM 2,5/15	07.311.2853.8	10	TSM 4/15	07.311.2953.8	10
For marking systems see pages 70-75							
When selectable connecting links are used, a partition must be used. The rated voltage is reduced to 400V/6kV/3.							

¹⁾ Please note the mounting instructions on the cover page. ²⁾ With/without jumper
³⁾ Ratings to adjacent feed-through blocks of the same series and size.
⁴⁾ For the current carrying capability of the mounting rail see AT catalog section **facts** + DATA.

The terminal blocks of series WKM 2,5 F1/15 and WKM 2,5 F2/15 must be mounted alternately in order to maintain the required air and creepage distances for the indicated rated voltage.



WKM 4 SL/15

fine-stranded solid V A
 0.5-4 mm² 0.5-6 mm² 500V/6kV/3³ 4)
 No. 22-14 AWG 300V 30
 No. 22-10 AWG
 0.5-4 mm² 0.5-6 mm²
 6 mm 9 mm 5 mm

WKM 2,5 F1/15

fine-stranded solid V A
 0.5-2.5 mm² 0.5-4 mm² 500V/6kV/3 24
 9 mm 5 mm

WKM 2,5 F2/15

fine-stranded solid V A
 0.5-2.5 mm² 0.5-4 mm² 500V/6kV/3 24
 9 mm 5 mm

Type	Part No.	Std. Pack	Type	Part No.	Std. Pack	Type	Part No.	Std. Pack
			WKM 2,5 F1/15	55.503.1253.0	100	WKM 2,5 F2/15	55.503.1353.0	100
WKM 4 SL/15	55.504.9153.0	100						
9021/15 x 5,5 EN 60715	98.090.0015.0	10	9021/15 x 5,5 EN 60715	98.090.0015.0	10	9021/15 x 5,5 EN 60715	98.090.0015.0	10
9208 S 15	Z5.522.7553.0	100	9208 S 15	Z5.522.7553.0	100	9208 S 15	Z5.522.7553.0	100
APM 4 SL/15	07.311.0753.0	10	APM 2,5 F./15	07.311.0653.0	10	APM 2,5 F./15	07.311.0653.0	10
			VB WKM 2,5/15-2	Z7.215.4227.0	50	VB WKM 2,5/15-2	Z7.215.4227.0	50
			VB WKM 2,5/15-3	Z7.215.4327.0	50	VB WKM 2,5/15-3	Z7.215.4327.0	50
			VB WKM 2,5/15-6	Z7.215.4627.0	50	VB WKM 2,5/15-6	Z7.215.4627.0	50
VB WKM 2,5/15 M60	Z7.215.4027.0	10	VB WKM 2,5/15 M60	Z7.215.4027.0	10	VB WKM 2,5/15 M60	Z7.215.4027.0	10
			AD VB 2,5/15 GELB	04.326.3053.8	10	AD VB 2,5/15 GELB	04.326.3053.8	10
			TSM 2,5/15	07.311.2853.8	10	TSM 2,5/15	07.311.2853.8	10

Accessories for DIN rail terminal blocks with screw connection



Cross connectors, insulated

Type	Part No.	Std. Pack
WK 2,5/U, Spacing 5mm, Screw M2,5		
IVB WK 2,5-2	Z7.280.2227.0	10
IVB WK 2,5-3	Z7.280.2327.0	10
IVB WK 2,5-4	Z7.280.2427.0	10
:	:	:
IVB WK 2,5-12	Z7.280.3227.0	10
WK 4/U, Spacing 6mm, Screw M3		
IVB WK 4-2	Z7.281.1227.0	10
IVB WK 4-3	Z7.281.1327.0	10
IVB WK 4-4	Z7.281.1427.0	10
:	:	:
IVB WK 4-12	Z7.281.2227.0	10
WK 6/U, Spacing 8mm, Screw M3,5		
IVB WK 6-2	Z7.282.2227.0	10
IVB WK 6-3	Z7.282.2327.0	10
:	:	:
IVB WK 6-12	Z7.282.3227.0	10
WKN 10/U, Spacing 10mm, Screw M3,5		
IVB WKN 10-2	Z7.283.2227.0	10
IVB WKN 10-3	Z7.283.2327.0	10
:	:	:
IVB WKN 10-12	Z7.283.3227.0	10
WKN 16/U, Spacing 12mm, Screw M4		
IVB WKN 16-2	Z7.284.2227.0	10
IVB WKN 16-3	Z7.284.2327.0	10
IVB WKN 16-12	Z7.284.3227.0	10
IVB WKN 16 M-30	Z7.284.2027.0	10
WKN 35/U, Spacing 16mm, Screw M5		
IVB WKN 35-2	Z7.285.2227.0	10
IVB WKN 35-3	Z7.285.2327.0	10
IVB WKN 35-12	Z7.285.3227.0	10
IVB WKN 35 M-20	Z7.285.2027.0	10
WKN 70/U, Spacing 24mm, Screw M6		
WKN 150/U, Spacing 28mm, Screw M8		

Cross connectors, uninsulated

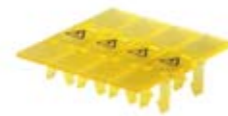
Rated voltage reduced to 50V

Type	Part No.	Std. Pack
WK 2,5/U, Spacing 5mm, Screw M2,5		
VB WK 2,5-2	Z7.280.0227.0	10
VB WK 2,5-3	Z7.280.0327.0	10
VB WK 2,5-6	Z7.280.0627.0	10
VB WK 2,5 M-80	Z7.280.0027.0	10
every 2nd pol (40 pole)	Z7.280.1027.0	10
WK 4/U, Spacing 6mm, Screw M3		
VB WK 4-2	Z7.281.0227.0	10
VB WK 4-3	Z7.281.0327.0	10
VB WK 4-6	Z7.281.0627.0	10
VB WK 4 M-70	Z7.281.0027.0	10
every 2nd pol (30 pole)	Z7.281.1027.0	10
WK 6/U, Spacing 8mm, Screw M3,5		
VB WK 6-2	Z7.282.0227.0	10
VB WK 6-3	Z7.282.0327.0	10
VB WK 6-6	Z7.282.0627.0	10
VB WK 6 M-70	Z7.282.0027.0	10
WKN 10/U, Spacing 10mm, Screw M3,5		
VB WKN 10-2	Z7.283.6227.0	10
VB WKN 10-3	Z7.283.6327.0	10
VB WKN 10-6	Z7.283.6627.0	10
VB WKN 10 M-40	Z7.283.6027.0	10
WKN 16/U, Spacing 12mm, Screw M4		
WKN 35/U, Spacing 16mm, Screw M5		
WKN 70/U, Spacing 24mm, Screw M6		
VB WKN 70-2	Z7.286.3227.0	10
VB WKN 70-3	Z7.286.3327.0	10
VB WKN 70-4	Z7.286.3427.0	10
VB WKN 70-5	Z7.286.3527.0	10
VB WKN 70-6	Z7.286.3627.0	10
WKN 150/U, Spacing 28mm, Screw M8		
VB WKN 150-2	Z7.287.1227.0	5
VB WKN 150-3	Z7.287.1327.0	5

Selectable connecting link

When selectable connecting links are used, the rated voltage is reduced to 380V!

Type	Part No.	Std. Pack
WK 2,5/U, Spacing 5mm, Screw M2,5		
Select. connecting link	Z7.269.4023.0	50
Test socket	05.509.6021.0	10
WK 4/U, Spacing 6mm, Screw M3		
Select. connecting link	Z7.269.4123.0	50
Test socket	05.508.8921.0	10
WK 6/U, Spacing 8mm, Screw M3,5		
Select. connecting link	Z7.269.4223.0	50



Cover for cross connector

over 10 blocks
Version E and „blank“ without opening
Version P with opening for test pin

Cover strip with warning symbol

over 4 blocks

Single cover with marking facility for cross connector

type AD VB ...

Partition plate with marking facility for cross connector

type TS ...

Type	Part No.	Std. Pack	Type	Part No.	Std. Pack	Type	Part No.	Std. Pack
WK 2,5/U, Spacing 5mm			WK 2,5/U, Spacing 5mm			WK 2,5/U, Spacing 5mm		
AD VB 5/10 E GELB	04.342.0556.8	10	AD 5/4 GELB	04.343.4756.8	10	AD VB 2,5 GELB	04.326.2053.8	10
AD VB 5/10 P GELB	04.342.3556.8	10				TS 2,5 GELB	07.311.2053.8	10
WK 4/U, Spacing 6mm			WK 4/U, Spacing 6mm			WK 4/U, Spacing 6mm		
AD VB 6/10 E GELB	04.342.0656.8	10	AD 6/4 GELB	04.343.4856.8	10	AD VB 4 GELB	04.326.2153.8	10
AD VB 6/10 P GELB	04.342.3656.8	10				TS 4 GELB	07.311.2153.8	10
WK 6/U, Spacing 8mm			WK 6/U, Spacing 8mm, Screw M3,5			WK 6/U, Spacing 8mm, Screw M3,5		
AD VB 8/10 E GELB	04.342.0856.8	10	AD 8/4 GELB	04.343.4956.8	10	AD VB 6 GELB	04.326.2253.8	10
AD VB 8/10 P GELB	04.342.3856.8	10				TS 6 GELB	07.311.2253.8	10
WKN 10/U, Spacing 10mm			WKN 10/U, Spacing 10mm, Screw M3,5			WKN 10/U, Spacing 10mm, Screw M3,5		
AD VB 10/10 E GELB	04.342.1056.8	10	ADN 10/4 GELB	04.343.5056.8	10	AD VB 10 GELB	04.326.2353.8	10
AD VB 10/10 P GELB	04.342.4056.8	10				TS 10 GELB	07.311.2353.8	10
			WKN 16/U, Spacing 12mm, Screw M4			WKN 16/U, Spacing 12mm, Screw M4		
			ADN 12/4 GELB	04.343.5156.8	10	AD VB 16 GELB	04.326.2453.8	10
						TSN 16 GELB	07.311.8453.8	10
			WKN 35/U, Spacing 16mm, Screw M5			WKN 35/U, Spacing 16mm, Screw M5		
			AD 16/4 GELB	04.343.5256.8	10	AD VB 35 GELB	04.326.2553.8	10
			WKN 70/U, Spacing 24mm, Screw M6			WKN 70/U, Spacing 24mm, Screw M6		
			AD 24/4 GELB	04.343.5356.8	10	AD VB 70 GELB	04.326.2653.8	10
			WKN 150/U, Spacing 28mm, Screw M8			WKN 150/U, Spacing 28mm, Screw M8		
			ADN 28/4 GELB	04.343.5456.8	10			

Accessories for DIN rail terminal blocks with screw connection



**Cross connectors, insulated
Jumper comb, insulated**

Type	Part No.	Std. Pack
WK 2,5/U, Spacing 5mm, Screw M2,5		
IVB WK 2,5-2	Z7.280.2227.0	10
IVB WK 2,5-12	Z7.280.3227.0	10
WKN 2,5 E/U, Spacing 5mm, Screw M2,5		
IVB WK 2,5-2	Z7.280.2227.0	10
IVB WK 2,5-12	Z7.280.3227.0	10
WK 4/U, Spacing 6mm, Screw M3		
Cross connector, insulated		
IVB WK 4-2	Z7.281.1227.0	10
IVB WK 4-12	Z7.281.2227.0	10
WK 4/U and WK 4 TK., Spacing 6mm, 0,5mm thick		
Jumper comb, insulated		
IVB 0,5 WK 4-2	Z7.255.0227.0	10
IVB 0,5 WK 4-12	Z7.255.0227.0	10
WK 4/U and WK 4 TK., Spacing 6mm, 1mm thick		
Jumper comb, insulated		
IVB 1 WK 4-2	Z7.255.4227.0	10
IVB 1 WK 4-12	Z7.255.4227.0	10
WK 4 D1/2 and D2/2, Spacing 6mm, Screw M3		
IVB WK 4/D..-2	Z7.281.7227.0	10
IVB WK 4/D..-12	Z7.281.7427.0	10
WK 4 D/E/U, Spacing 6mm, Screw M3		
IVB WK 4/DEU-2	Z7.271.0227.0	10
IVB WK 4/DEU-12	Z7.271.1227.0	10
WK 4 E/U, Spacing 6mm, Screw M3		
Cross connection, insulated for upper tier		
IVB WK 4E/U-2	Z7.271.2227.0	10
IVB WK 4E/U-12	Z7.271.3227.0	10
WK 4 E/U, Spacing 6mm, 1mm thick		
Jumper comb, insulated for lower tier without wire		
IVB WK 4E-2	Z7.255.2227.0	10
IVB WK 4E-12	Z7.255.3227.0	10
Jumper comb, insulated for lower tier with wire		
IVBS WK 4E-2	Z7.256.4227.0	10
IVBS WK 4E-12	Z7.256.5227.0	10



**Cross connectors, uninsulated
Jumper comb, uninsulated**

Rated voltage reduced to 50V

Type	Part No.	Std. Pack
WK 2,5/U, Spacing 5mm, Screw M2,5		
VB WK 2,5-2	Z7.280.0227.0	10
VB WK 2,5-6	Z7.280.0627.0	10
VB WK 2,5 M-80	Z7.280.0027.0	10
WKN 2,5 E/U, Spacing 5mm, Screw M2,5		
VB WK 2,5-2	Z7.280.0227.0	10
VB WK 2,5-6	Z7.280.0627.0	10
VB WK 2,5 M-80	Z7.280.0027.0	10
WK 4/U, Spacing 6mm, Screw M3		
Cross connector, uninsulated		
VB WK 4-2	Z7.281.0227.0	10
VB WK 4-6	Z7.281.0627.0	10
VB WK 4 M-70	Z7.281.0027.0	10
WK 4/U and WK 4 TK., Spacing 6mm, 0,5mm thick		
Jumper comb, uninsulated		
VB 0,5 WK 4-2	07.255.0227.0	10
VB 0,5 WK 4-12	07.255.0227.0	10
WK 4/U and WK 4 TK., Spacing 6mm, 1mm thick		
Jumper comb, uninsulated		
VB 1 WK 4-2	07.255.4227.0	10
VB 1 WK 4-12	07.255.4227.0	10
WK 4 D1/2 and D2/2, Spacing 6mm, Screw M3		
VB WK 4D..-2	Z7.281.6227.0	10
VB WK 4D..-6	Z7.281.6627.0	10
VB WK 4D.. M-70	Z7.281.6027.0	10
WK 4 D1/2 and D2/2, Spacing 6mm, Screw M3		
9215-2	Z7.210.3227.0	50
9215-6	Z7.210.3427.0	50
9215 M-70	Z7.210.3027.0	10
WK 4 E/U, Spacing 6mm, Screw M3		
Cross connection, insulated for upper tier		
9215-2	Z7.210.3227.0	50
9215-6	Z7.210.3427.0	50
9215 M-70	Z7.210.3027.0	10
WK 4 E/U, Spacing 6mm, 1mm thick		
Jumper comb, insulated for lower tier without wire		
VB WK 4E-2	07.255.2227.0	10
VB WK 4E-12	07.255.3227.0	10
Jumper comb, insulated for lower tier with wire		
VBS WK 4E-2	07.256.4227.0	10
VBS WK 4E-12	07.256.5227.0	10



**Selectable connecting link
Test socket**

When selectable connecting links are used, the rated voltage is reduced to 380V!

Type	Part No.	Std. Pack
WK 2,5/U, Spacing 5mm, Screw M2,5		
Select. connecting link	Z7.269.4023.0	50
Test socket	05.509.6021.0	10
WKN 2,5 E/U, Spacing 5mm, Screw M2,5		
Test socket	05.509.6021.0	10
WK 4/U, Spacing 6mm, Screw M3		
Select. connecting link	Z7.269.4123.0	50
Test socket	05.508.8921.0	10
WK 4 D1/2 and D2/2, Spacing 6mm, Screw M3		
Test socket	05.508.8921.0	10
WK 4 D1/2 and D2/2, Spacing 6mm, Screw M3		
Test socket	05.508.8921.0	10
WK 4 E/U, Spacing 6mm, Screw M3		
Select. connecting link	Z7.269.2923.0	50
Test socket	05.508.8921.0	10



Cover for cross connector

over 10 blocks
Version E and „blank“ without opening
Version P with opening for test pin

Cover strip with warning symbol

over 4 blocks

Single cover with marking facility for cross connector

type AD VB ...

Partition plate with marking facility for cross connector

type TS ...

Type	Part No.	Std. Pack	Type	Part No.	Std. Pack	Type	Part No.	Std. Pack
WK 2,5/U, Spacing 5 mm			WK 2,5/U, Spacing 5 mm			WK 2,5/U, Spacing 5 mm		
AD VB 5/10 E GELB	04.342.0556.8	10	AD 5/4 GELB	04.343.4756.8	10	AD VB 2,5 GELB	04.326.2053.8	10
AD VB 5/10 P GELB	04.342.3556.8	10				TS 2,5 GELB	07.311.2053.8	10
WKN 2,5 E/U, Spacing 5 mm			WKN 2,5 E/U, Spacing 5 mm			WKN 2,5 E/U, Spacing 5 mm		
AD VB 5/10 E GELB	04.342.0556.8	10	AD 5/4 GELB	04.343.4756.8	10	AD VB 2,5 GELB	04.326.2053.8	10
AD VB 5/10 P GELB	04.342.3556.8	10				TS 2,5 GELB	07.311.2053.8	10
WK 4/U, Spacing 6 mm			WK 4/U, Spacing 6 mm			WK 4/U, Spacing 6 mm		
AD VB 6/10 GELB	04.342.0656.8	10	AD 6/4 GELB	04.343.4856.8	10	AD VB 4 GELB	04.326.2153.8	10
AD VB 6/10 P GELB	04.342.3656.8	10				TS 4 GELB	07.311.2153.8	10
WK 4 D1/2 and D2/2, Spacing 6 mm			WK 4 D1/2 and D2/2, Spacing 6 mm			WK 4 D1/2 and D2/2, Spacing 6 mm		
AD VB 6/10 GELB	04.342.0656.8	10				AD VB 4 GELB	04.326.2153.8	10
AD VB 6/10 P GELB	04.342.3656.8	10				TS 4/15 GELB	07.311.2953.8	10
WK 4 D/E/U, Spacing 6 mm			WK 4 D/E/U, Spacing 6 mm			WK 4 D/E/U, Spacing 6 mm		
AD VB 6/10 GELB	04.342.0656.8	10				AD VB 4 GELB	04.326.2153.8	10
AD VB 6/10 P GELB	04.342.3656.8	10				TS 4/15 GELB	07.311.2953.8	10
WK 4 E/U, Spacing 6 mm			WK 4 E/U, Spacing 6 mm			WK 4 E/U, Spacing 6 mm		
AD VB 6/10 E GELB	04.342.2656.8	10				AD VB 4/15 GELB	04.326.2953.8	10
AD VB 6/10 EP GELB	04.342.5656.8	10						

Accessories for DIN rail terminal blocks
with screw connection



Test plug
Short-circuit plug
Test Sockets

250 V/2 A

Part No.	Std. Pack
WK 2,5 ... and WKN 2,5 ..., Spacing 5 mm,	
Screw M2,5	
Test plug ST 2/2 RT	Z5.553.2921.0 10
Test plug ST 2/2 SW	Z5.553.2921.1 50
Test plug ST 2/2 BL	Z5.553.2921.6 100
Test socket for WK 2,5	05.509.6021.0 10
WK 4 ... , Spacing 6 mm, Screw M3	
Test plug ST 2/2,3 RT	Z5.553.2921.0 10
Test plug ST 2/2,3 SW	Z5.553.2921.1 50
Test plug ST 2/2,3 BL	Z5.553.2921.6 100
Short-circuit plug	Z5.553.9400.0 100
Test socket for WK 4...	05.509.8921.0 10
Test socket for WK 4 E...	05.509.8821.0 10
WK 6, Spacing 8 mm, Screw M3,5	
Test plug ST 2/4 SW	Z5.553.3021.0 10
Test socket for WK 6	05.508.3221.0 10
WKN 10, Spacing 10 mm, Screw M3,5	
Test plug ST 2/4 SW	Z5.553.3021.0 10
Test socket for WK 10	05.509.3121.0 10
WKN 16, Spacing 12 mm, Screw M5	
Test plug ST 2/4 SW	Z5.553.3021.0 10
Test socket for WK 10	05.509.3121.0 10
WKN 35, Spacing 16 mm, Screw M6	
Test plug ST 2/4 SW	Z5.553.3021.0 10
Test socket for WK 10	05.509.3121.0 10

Test adapter with solder connection,

can be snapped on modularly

Part No.	Std. Pack
WK 2,5, Spacing 5 mm	
WK 4 ... , Spacing 6 mm	
Test adapter for WK 4, 230 V/2 A	
with locking	Z1.299.6153.0 10
without locking	Z1.299.8153.0 10
Test adapter for WK 4 E, 230 V/5 A	
with locking	Z1.299.9053.0 10
Contact pin	05.549.1200.0 1

Test adapter

for WK 4

Part No.	Std. Pack
WK 4/U, Spacing 6 mm	
Test adapter for WK 4, 10-250 V/10 mA - 3.5 A	
1 pole, without cont. pin	Z1.299.9253.0 10
1 pole, snap-on	Z1.299.9453.0 10
10 pole with locking device and strain relief	
PST10-WK4	Z1.299.9553.0 10
Contact pin	05.549.1200.0 1



Rapid mounting tool

Part No.	Std. Pack
WK 2,5, Spacing 5mm	
Rapid mounting tool 05.594.5853.0	10
WK 4 ... , Spacing 6mm	
for WK 4/U	
Rapid mounting tool 05.594.5953.0	10
for WK 4 E/U	
Rapid mounting tool 05.594.8153.0	10
WK 6, Spacing 8mm	
Rapid mounting tool 05.594.6053.0	10
WKN 10, Spacing 10mm	
Design: uninsulated, long and straight	
DIN 5264 B 1x5,5	06.502.4200.0 10
WKN 16, Spacing 12mm	
Design: uninsulated, long and straight	
DIN 5264 B 1x5,5	06.502.4200.0 10
WKN 35, Spacing 16mm	
Design: uninsulated, long and straight	
DIN 5264 B 1x5,5	06.502.4200.0 10
WKN 70, Spacing 24mm	
Design: uninsulated, long and straight	
DIN 5264 B 1x5,5	06.502.4200.0 10
WKN 150, Spacing 28mm	
Design: uninsulated, long and straight	
DIN 5264 B 1x5,5	06.502.4200.0 10

Screwdriver

as tool to be used

Type	Part No.	Std. Pack
WK 2,5, Spacing 5mm		
Design: uninsulated, long and straight		
DIN 5264 B 0,6x3,5	06.502.4000.0	10
Design: uninsulated, short and straight		
DIN 5264 B 0,6x3,5	06.502.4000.0	10
WK 4 ... , Spacing 6mm		
Design: uninsulated, long and straight		
DIN 5264 B 0,6x3,5	06.502.4000.0	10
Design: uninsulated, short and straight		
DIN 5264 B 0,6x3,5	06.502.4000.0	10
WK 6, Spacing 8mm		
Design: uninsulated, long and straight		
DIN 5264 B 0,8x4	06.502.4100.0	10
WKN 10, Spacing 10mm		
Design: uninsulated, long and straight		
DIN 5264 B 1x5,5	06.502.4200.0	10
WKN 16, Spacing 12mm		
Design: uninsulated, long and straight		
DIN 5264 B 1x5,5	06.502.4200.0	10
WKN 35, Spacing 16mm		
Design: uninsulated, long and straight		
DIN 5264 B 1x5,5	06.502.4200.0	10
WKN 70, Spacing 24mm		
Design: uninsulated, long and straight		
DIN 5264 B 1x5,5	06.502.4200.0	10
WKN 150, Spacing 28mm		
Design: uninsulated, long and straight		
DIN 5264 B 1x5,5	06.502.4200.0	10

Tightening torques as per EN 60947-1

for **selos** DIN rail blocks

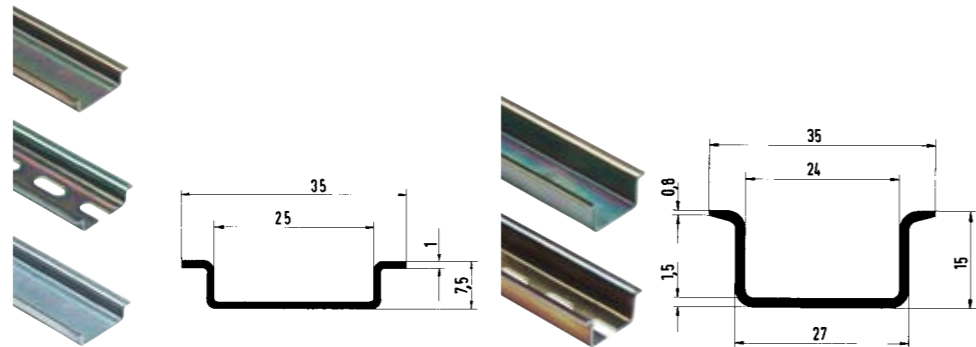
II Screws which are tightened with a screwdriver

III Screws which are tightened with a tool other than a screwdriver

Type	Part No.	Std. Pack	II	III
WK 2,5, Spacing 5mm				
Screw for clamping body M2,5*			Nm 0,4	10,4
Screw for cross connector M2,5*			Nm 0,4	0,4
WK 4 ... , Spacing 6mm				
Screw for clamping body M3*			Nm 0,5	0,5
Screw for cross connector M3*			Nm 0,5	0,5
WK 6, Spacing 8mm				
Screw for clamping body M4*			Nm 1,2	1,2
Screw for cross connector M3.5*			Nm 0,8	0,8
WKN 10, Spacing 10mm				
Screw for clamping body M5*			Nm 2,0	2,0
Screw for cross connector M3.5*			Nm 0,8	0,8
WKN 16, Spacing 12mm				
Screw for clamping body M6*			Nm 2,5	3,0
Screw for cross connector M4*			Nm 1,2	1,2
WKN 35, Spacing 16mm				
Screw for clamping body M6*			Nm 2,5	3,0
Screw for cross connector M5*			Nm 2,0	2,0
WKN 70, Spacing 24mm				
Screw for clamping body M8*			Nm 3,5	6,0
Screw for cross connector M6*			Nm 2,5	3,0
WKN 150, Spacing 28mm				
Screw for clamping body M10*			Nm 4,0	10,0
Screw for cross connector M8*			Nm 3,5	6,0

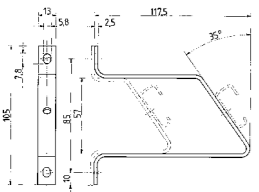
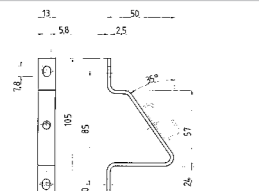
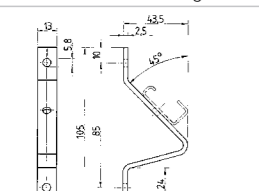
*See also AT catalog, chapter on **facts** & DATA

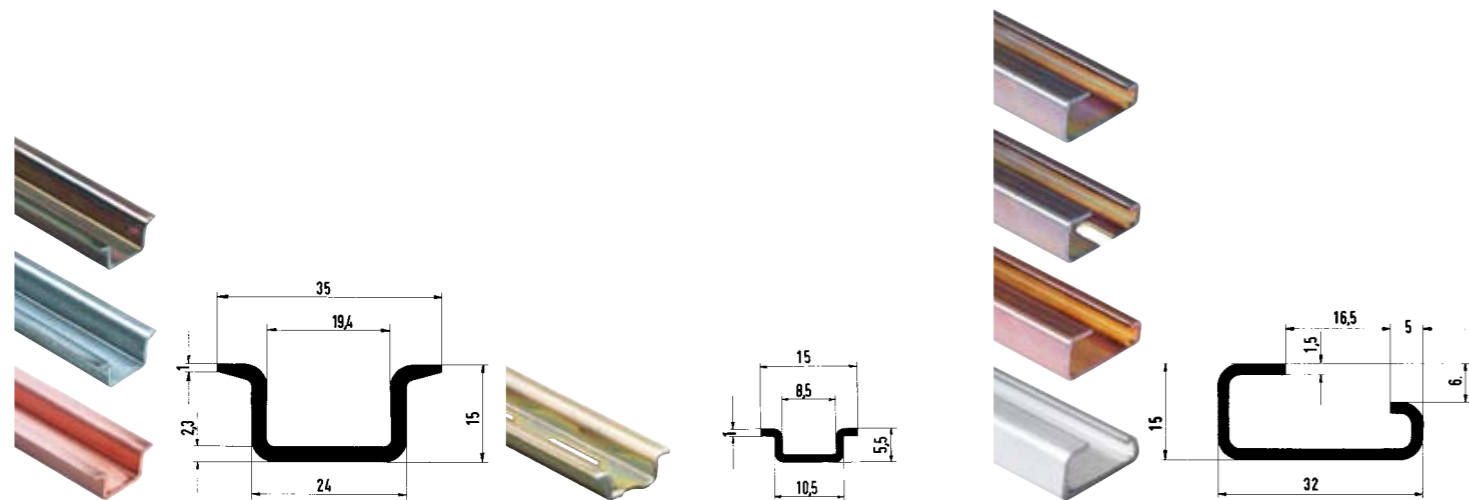
Accessories for DIN rail terminal blocks
with screw connection



Mounting rail 35x7,5
according to DIN EN 60715

Mounting rail 35x15
according to DIN EN 60715

Mounting rail	Type	Part No.	Std. Pack	Type	Part No.	Std. Pack
1. Steel, galv. zinc-plated and dichromated unslotted L = 2 m	35 x 27 x 7,5 EN 60715	98.300.0000.0	1	35 x 27 x 15 EN 60715	98.370.0000.0	1
Steel, galv. zinc-plated and dichromated slotted L = 2 m	35 x 27 x 7,5 EN 60715	98.300.1000.0	1	35 x 27 x 15 EN 60715	98.370.1000.0	1
Steel, galv. zinc-plated and dichromated slotted L = 1 m				35 x 27 x 15 EN 60715	98.375.1000.0	1
2. Steel, unplated unslotted L = 2 m	35 x 27 x 7,5 EN 60715	98.300.0010.0	1			
Steel, unplated slotted L = 2 m						
3. Steel, hot-galvanized unslotted L = 2 m						
Steel, hot-galvanized slotted L = 2 m						
4. Steel, V2A slotted L = 2 m				35 x 27 x 15 EN 60715	98.370.1001.0	1
5. E copper unslotted L = 2 m						
E copper slotted L = 2 m						
6. Aluminium unslotted L = 2 m						
Accessories						
Angled support bracket with mounting material	9018 D	Z5.516.2511.0	50	9018 D	Z5.516.2511.0	50
						
Angled support bracket with mounting material	9018 H	Z5.516.2711.0	50	9018 H	Z5.516.2711.0	50
						
Angled support bracket with mounting material	9018 N	Z5.516.2811.0	50	9018 N	Z5.516.2811.0	50
						



**Mounting rail 35x15
according to DIN EN 60715**

**Mounting rail 15x5,5
according to DIN EN 60715**

**Mounting rail 32x15
according to DIN EN 60715**

Type	Part No.	Std. Pack	Type	Part No.	Std. Pack	Type	Part No.	Std. Pack
35 x 24 x 15 EN 60715	98.360.0000.0	1	9021 / 15 x 5,5 EN 60715	98.090.0015.0	10	9006 EN 60715 G-32	98.190.0000.0	1
			9021 / 15 x 5,5 EN 60715	98.090.0000.0	1	9006 EN 60715 G-32	98.190.1000.0	1
35 x 24 x 15 EN 60715 ZN	98.360.0004.0	1						
35 x 24 x 15 EN 60715 CU	98.380.0000.0	10				9006 E-CU	98.220.0000.0	10
						9006 AL	98.210.0000.0	1
9018 D	Z5.516.2511.0	50				9018 D	Z5.516.2511.0	50
9018 H	Z5.516.2711.0	50				9018 H	Z5.516.2711.0	50
9018 N	Z5.516.2811.0	50				9018 N	Z5.516.2811.0	50

Configuration and marking systems for DIN rail terminal blocks



Configuration software **wieplan**

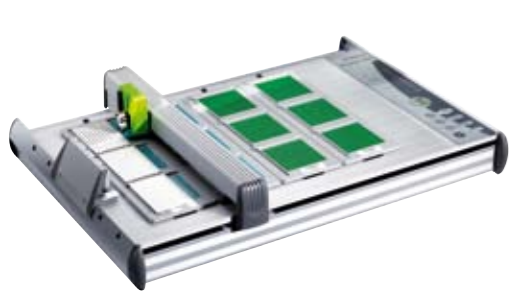
Type	Part No.	Std. Pack
wieplan CD	95.502.1000.0	1
Contents:		
CD with cover		
Description:		
wieplan is a software used to configure, document and order DIN rail terminal block assemblies. The intuitive user interface makes working with wieplan as easy as child's play.		
wieplan enables data exchange through CAE systems:		
– EPLAN 5		
– EPLAN Electric P8		
System requirements:		
Pentium II PC or compatible, min. 200MHz		
64 Mbyte RAM		
CD-ROM drive		
VGA graphics adapter and monitor		
wieplan supports:		
– Windows 98®		
– Windows 2000®		
– Windows NT®		
– Windows ME®		
– Windows XP®		
see page 8		

Marking computer **marcom 2**

Type	Part No.	Std. Pack
marcom 2	95.502.0000.0	1
Contents:		
Marking computer in case		
European power supply unit		
Power Pack		
Data cassette with job memory		
Marking tag carrier		
Plotter pen 0.25 mm		
Cleaning set		
Description:		
marcom 2 is a freely programmable marking computer for DIN rail terminal blocks, pluggable connectors, switching devices and cables. The computer provides of a large number of fonts, with numerical and alphanumerical characters and symbols.		
marcom 2 is portable and can be used at any location; it can be operated either using the mains or batteries.		
Technical data:		
Operator panel:	190 mm x 45 mm	
Resolution:	0.01 mm	
Power supply unit:	50/60 Hz, 100 - 230V	
Output voltage:	9.5 V (150 mV/1.4 VA)	
	14 V (450 mA/6.3 VA)	
Replaceable battery:	16.8 V (14 NiCd cells)	
Dimensions:	380 mm x 190 mm x 63 mm	
Weight:	6.2 kg	
see page 8		

Marking software **wiemarc**

Type	Part No.	Std. Pack
wiemarc CD	95.502.0501.0	1
Contents:		
CD with cover		
Description:		
wiemarc is a Windows® based plotter software for customized marking using the wieplot 500 plotter system.		
Both the Wieland standard marking system and marking tags and labels of other suppliers can be marked easily. The wiemarc software version 4.0 provides the option of connecting to the wieplot 500 E-UNIT engraving system.		
System requirements:		
Pentium II PC or compatible, min. 200MHz		
64 Mbyte RAM		
CD-ROM drive		
VGA graphics adapter and monitor		
wiemarc supports:		
– Windows 98®		
– Windows 2000®		
– Windows NT®		
– Windows ME®		
– Windows XP®		
see page 9		



Plotter system *wieplot*⁵⁰⁰

Type	Part No.	Std. Pack
Complete package	95.502.0604.0	1

Contents:

- Plotter *wieplot*⁵⁰⁰
- Data cable and manual
- 4 receptacles for WSB*
- Accessories kit
- Software *wiemarc*

Description:
With *wiemarc* you can create customized marking data on your PC. These can then be output on the *wieplot*⁵⁰⁰ plotter system to various marking plates.

* WSB (= Wieland standard marking system)

Technical data:

Resolution:	0.01 mm
Accuracy:	+/- 0.05 mm
Power supply unit:	50/60 Hz, 100 - 240V
Output voltage:	24 VDC 1.4A
Current input:	app. 0,3A at 220V
Approval:	UL-UL1950
	CSA 950
	VDE EN 60950
Radio interf. suppr.:	FCC class B
	FCC sect. 15 and VDE class B
Dimensions:	660 mm x 440 mm x 125 mm
Weight:	8 kg
Interfaces:	USB Level 1.1, parallel
	see page 9

Ink kit for *wieplot*⁵⁰⁰

Type	Part No.	Std. Pack
Ink Kit	95.502.0610.0	1

Contents:

- Plotter pen 0,25 mm with ink cartridge
- Permanent Plotter pen 0.3 mm
- Cleaning set

Plotter pens for *wieplot*⁵⁰⁰ Systeme:

Plotter pen 0.18 mm	95.502.0118.0
Plotter pen 0.25 mm	95.502.0125.0
Plotter pen 0.35 mm	95.502.0135.0
Plotter pen 0.50 mm	95.502.0150.0
Plotter pen 0.70 mm	95.502.0170.0
Plotter pen 1.00 mm	95.502.0100.0
Perm. pl. pen 0.30 mm	95.502.0230.0
Perm. pl. pen 0.70 mm	95.502.0270.0
Dispos. pl. pen 0.25 mm	95.502.0125.1
Dispos.pl. pen 0.35 mm	95.502.0135.1
Hand pens 0.25 mm	95.502.0425.0
Hand pens 0.35 mm	95.502.0435.0
Hand pens 0.50 mm	95.502.0450.0
Hand pens 0.70 mm	95.502.0470.0

Accessories:

Ink cartridge P1.0, 5 x1ml	95.502.0199.0
Cleaning set	95.502.0198.0
Pen cleaner	95.502.0197.0
Dust protection hood	95.502.0612.0
Service kit – pen station	95.502.0613.0
Seal inserts kit	

Receptacles (Rec.) for Wieland marking plates

Receptacle for WSB	95.502.0620.0
Rec. for BZ/WKF 15,	95.502.0627.0
Rec. for BZ/WKF 1,5/10	95.502.0628.0

Available on request:
Receptacles for marking systems from competition
Use of *wiemarc* with non-Wieland plotter systems

Engraving unit for *wieplot*⁵⁰⁰

Type	Part No.	Std. Pack
wieplot 500 E-UNIT	95.502.0700.0	1

Contents:

- Engraving spindle
- Engraving head (with fuse and counter bearing)
- Control unit *wieplot*^{vec} 500
- Vacuum cleaner *wieplot*^{vc} 500
- Connection cables

Description:
The *wieplot*⁵⁰⁰ E-UNIT engraving unit has been designed for use with the *wieplot*⁵⁰⁰ plotter. The system is set up for engraving multi-layer plastic tags. The Plotboard A4 in a 297 x 202 mm format is the receptacle for marking paper sheets and labels and also enables engraving of plastic boards.

Accessories:

Graving tool SET, complete	95.502.0710.0
Graving tool 0.2 mm	95.502.0710.2
Graving tool 0.3 mm	95.502.0710.3
Graving tool 0.4 mm	95.502.0710.4
Graving tool 0.5 mm	95.502.0710.5
Graving tool 0.7 mm	95.502.0710.7
Graving tool 1.0 mm	95.502.0711.0

Receptacle:

Plotboard A4	95.502.0625.0
--------------	---------------



4 mm²/6 mm wide

Type	Part No.	Std. Pack
Marking strips, unmarked		
9705 A/6/10	04.242.6053.0	25
Marking strips, marked		
9705A/6/9 B 1 - 9	04.842.5953.0	25
9705A/6/10 B *	04.842.6053.0	25
9705A/6/10 B 1 - 10	04.846.0153.0	25
9705A/6/10 B 11 - 20	04.846.0253.0	25
9705A/6/10 B 21 - 30	04.846.0353.0	25
9705A/6/10 B 31 - 40	04.846.0453.0	25
9705A/6/10 B 41 - 50	04.846.0553.0	25
9705A/6/10 B 51 - 60	04.846.0653.0	25
9705A/6/10 B 61 - 70	04.846.0753.0	25
9705A/6/10 B 71 - 80	04.846.0853.0	25
9705A/6/10 B 81 - 90	04.846.0953.0	25
9705A/6/10 B 91 - 100	04.846.1053.0	25
9705A/6/10 B SLZ	04.856.0053.0	25
9705A/6/10 B ERDZ	04.856.0153.0	25
9705A/6/10 B +	04.856.0253.0	25
9705A/6/10 B -	04.856.0353.0	25
9705A/6/10 B L1	04.856.0453.0	25
9705A/6/10 B L2	04.856.0553.0	25
9705A/6/10 B L3	04.856.0653.0	25
9705A/6/10 B PE	04.856.0753.0	25
9705A/6/10 B SL	04.856.3153.0	25
9705A/6/10 B N	04.856.3253.0	25
9705A/6/10 B F1	04.856.0953.0	25
9705A/6/10 B F2	04.856.1053.0	25
9705A/6/10 B L1L2L3NPE..	04.856.0853.0	25
with enlarged marking area		
9705 AL/6/10	04.242.6353.0	25
* Custom marking upon request		

6 mm²/6 mm wide

Type	Part No.	Std. Pack
Marking strips, unmarked		
9705 A/8/10	04.242.8053.0	25
Marking strips, marked		
9705A/8/9 B 1 - 9	04.842.7953.0	25
9705A/8/10 B *	04.842.8053.0	25
9705A/8/10 B 1 - 10	04.848.0153.0	25
9705A/8/10 B 11 - 20	04.848.0253.0	25
9705A/8/10 B 21 - 30	04.848.0353.0	25
9705A/8/10 B 31 - 40	04.848.0453.0	25
9705A/8/10 B 41 - 50	04.848.0553.0	25
9705A/8/10 B 51 - 60	04.848.0653.0	25
9705A/8/10 B 61 - 70	04.848.0753.0	25
9705A/8/10 B 71 - 80	04.848.0853.0	25
9705A/8/10 B 81 - 90	04.848.0953.0	25
9705A/8/10 B 91 - 100	04.848.1053.0	25
9705A/8/10 B SLZ	04.858.0053.0	25
9705A/8/10 B ERDZ	04.858.0153.0	25
9705A/8/10 B +	04.858.0253.0	25
9705A/8/10 B -	04.858.0353.0	25
9705A/8/10 B L1	04.858.0453.0	25
9705A/8/10 B L2	04.858.0553.0	25
9705A/8/10 B L3	04.858.0653.0	25
9705A/8/10 B PE	04.858.0753.0	25
9705A/8/10 B SL	04.858.3153.0	25
9705A/8/10 B N	04.858.3253.0	25
9705A/8/10 B F1	04.858.0953.0	25
9705A/8/10 B F2	04.858.1053.0	25
9705A/8/10 B L1L2L3NPE..	04.858.0853.0	25
* Custom marking upon request		

10 mm²/10 mm wide 16 mm²/12 mm wide 35 mm²/16 mm wide 70 mm²/24 mm wide

Type	Part No.	Std. Pack
10 mm²/10 mm Baubreite		
for 5 blocks		
9705 A/5/10/5 B	04.842.5553.0	25
16 mm²/12 mm wide		
for 5 blocks		
9705 A/6/10/5 B	04.842.6553.0	25
35 mm²/16 mm wide		
for 5 blocks		
9705 A/8/10/5 B	04.842.8553.0	25
70 mm²/24 mm wide		
for 4 blocks		
9705 A/8/10/5 B	04.842.8553.0	25
* Custom marking upon request		

Marking accessories for DIN rail terminal blocks




Tear-off marking strips with 10 marking tags For single symbol marking

Type	Part No.	Std. Pack
Tear-off marking strips, unmarked		
9704 A	04.241.1150.0	25
Tear-off marking strips marked with the same number		
9704 A/1 B	1	04.841.1150.0 25
9704 A/2 B	2	04.841.1250.0 25
9704 A/3 B	3	04.841.1350.0 25
9704 A/4 B	4	04.841.1450.0 25
9704 A/5 B	5	04.841.1550.0 25
9704 A/6 B	6	04.841.1650.0 25
9704 A/7 B	7	04.841.1750.0 25
9704 A/8 B	8	04.841.1850.0 25
9704 A/9 B	9	04.841.1950.0 25
9704 A/0 B	0	04.841.2050.0 25

Tear-off marking strips with 10 marking tags For single symbol marking

Type	Part No.	Std. Pack
Tear-off marking strips marked with the same upper case letters		
9704 A /AG B	A	04.841.2250.0 25
9704 A /BG B	B	04.841.2350.0 25
9704 A /CG B	C	04.841.2450.0 25
9704 A /DG B	D	04.841.2550.0 25
9704 A /EG B	E	04.841.2650.0 25
9704 A /FG B	F	04.841.2750.0 25
9704 A /GG B	G	04.841.2850.0 25
9704 A /HG B	H	04.841.2950.0 25
9704 A /IG B	I	04.841.3050.0 25
9704 A /JG B	J	04.841.3150.0 25
9704 A /KG B	K	04.841.3250.0 25
9704 A /LG B	L	04.841.3350.0 25
9704 A /MG B	M	04.841.3450.0 25
9704 A /NG B	N	04.841.3550.0 25
9704 A /OG B	O	04.841.3650.0 25
9704 A /PG B	P	04.841.3750.0 25
9704 A /QG B	Q	04.841.3850.0 25
9704 A /RG B	R	04.841.3950.0 25
9704 A /SG B	S	04.841.4050.0 25
9704 A /TG B	T	04.841.4150.0 25
9704 A /UG B	U	04.841.4250.0 25
9704 A /VG B	V	04.841.4350.0 25
9704 A /WG B	W	04.841.4450.0 25
9704 A /XG B	X	04.841.4550.0 25
9704 A /YG B	Y	04.841.4650.0 25
9704 A /ZG B	Z	04.841.4750.0 25

Tear-off marking strips with 10 marking tags For single symbol marking

Type	Part No.	Std. Pack
Tear-off marking strips marked with the same lower case letters		
9704 A /AK B	a	04.841.4850.0 25
9704 A /BK B	b	04.841.4950.0 25
9704 A /CK B	c	04.841.5050.0 25
9704 A /DK B	d	04.841.5150.0 25
9704 A /EK B	e	04.841.5250.0 25
9704 A /FK B	f	04.841.5350.0 25
9704 A /GK B	g	04.841.5450.0 25
9704 A /HK B	h	04.841.5550.0 25
9704 A /IK B	i	04.841.5650.0 25
9704 A /JK B	j	04.841.5750.0 25
9704 A /KK B	k	04.841.5850.0 25
9704 A /LK B	l	04.841.5950.0 25
9704 A /MK B	m	04.841.6050.0 25
9704 A /NK B	n	04.841.6150.0 25
9704 A /OK B	o	04.841.6250.0 25
9704 A /PK B	p	04.841.6350.0 25
9704 A /QK B	q	04.841.6450.0 25
9704 A /RK B	r	04.841.6550.0 25
9704 A /SK B	s	04.841.6650.0 25
9704 A /TK B	t	04.841.6750.0 25
9704 A /UK B	u	04.841.6850.0 25
9704 A /VK B	v	04.841.6950.0 25
9704 A /WK B	w	04.841.7050.0 25
9704 A /XK B	x	04.841.7150.0 25
9704 A /YK B	y	04.841.7250.0 25
9704 A /ZK B	z	04.841.7350.0 25

Set of tear-off marking tags marked with same numbers		
= 10 x 25 strips = 2.500 numbers		
111 up to 000	04.841.9050.0	1

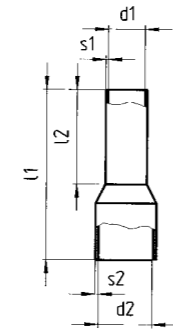
Set of tear-off marking tags marked with same upper case letters		
= 26 x 25 strips = 6.500 numbers		
A up to Z GB	04.841.9150.0	1

Set of tear-off marking tags marked with same lower case letters		
= 26 x 25 strips = 6.500 numbers		
A up to Z KB	04.841.9250.0	1

Ferrules with insulating material sleeve

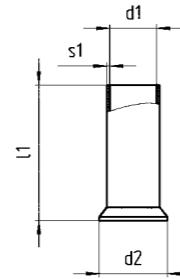
Materials:
Sleeve:
Polypropylene, temperature resistance 105°C,
creepage resistant

Tube:
E-Cu, galvanically tin-plated



Ferrules without insulating material sleeve

Materials:
Tube:
E-Cu, galvanically tin-plated



Cross section mm ²	Color	Type	Part No.	Std. Pack
Ferrules with insulating material sleeve				
according to DIN 46228 T4				
0.50 norm.	white		06.600.2027.0	100
0.75 norm.	gray		06.600.2127.0	100
1.00 norm.	red		06.600.2227.0	100
1.50 norm.	black		06.600.2327.0	100
1.50 long	black		06.600.2427.0	100
2.50 norm.	blue		06.600.2527.0	100
2.50 long	blue		06.600.2627.0	100
4.00 norm.	gray		06.600.2727.0	100
4.00 long	gray		06.600.2827.0	100
6.00 norm.	yellow		06.600.2927.0	100
6.00 long	yellow		06.600.3027.0	100
10.00 norm.	red		06.600.3127.0	100
10.00 long	red		06.600.3227.0	100
16.00 norm.	blue		06.600.3327.0	100
16.00 long	blue		06.600.3427.0	100
25.00 halflong	yellow		06.600.3527.0	50
Ferrules without insulating material sleeve				
according to DIN 46228 T1				
0.50 norm.			06.600.4027.0	1000
0.75 norm.			06.600.4127.0	1000
1.00 norm.			06.600.4227.0	1000
1.50 norm.			06.600.4327.0	1000
2.50 norm.			06.600.4427.0	1000
4.00 norm.			06.600.4527.0	1000
6.00 norm.			06.600.4627.0	500
10.00 norm.			06.600.4727.0	500
16.00 norm.			06.600.4827.0	100
25.00 norm.			06.600.4927.0	100
35.00 norm.			06.600.5027.0	100

DIN rail terminal blocks for junction boxes with screw connection

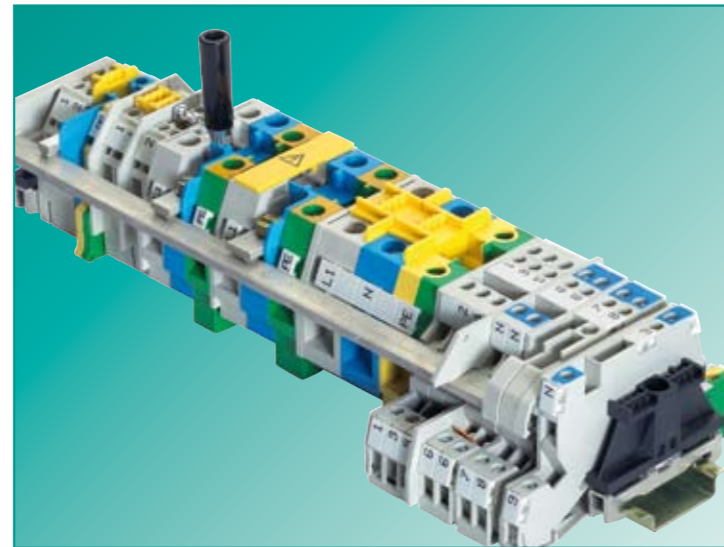
selos BIT-S

„We at Wieland“ know what you need!

For more than 90 years we have been your competent partner in the field of connection technology for your products. Close cooperation with our customers helps to create innovative products manufactured according to the highest quality standards.

Increasing automation as well as the safety functions to be implemented inside buildings increase the requirements for power and signal management in electrical distribution systems. The growing number of circuits and the increasingly confined space available requires a DIN rail terminal block system that reduces the amount and costs of cabling but still enables clear and convenient wiring.

Wieland's DIN rail terminal blocks provide you with the right solution.



selos/fasis BIT

fasis BIT-S
Typ WKIS...

fasis BIT
Typ WKF/WKIF...

selos BIT
Typ WK/WKI...

The right solution for your application

All DIN rail terminal blocks of the BIT series comply with the directives for the setup of high-voltage and supply systems for safety services according to VDE 0108 and are designed for use in public buildings. Isolation measurement, for example, can be carried out with the wires connected.

It's your choice. The connection technology can be implemented either in purely spring clamp or screw technology or they can be mixed together.

DIN rail terminal blocks with push-in spring connection

The new installation blocks of series **fasis** BIT-S with push-in are an outstanding addition to the existing product range.

fasis BIT-S helps to increase efficiency in electrical installations even more, since rigid as well as flexible wires with ferrules can be directly connected without opening the termination point which saves considerable time.

DIN rail terminal blocks with tension spring connection

The tension spring technology of series **fasis** BIT stands out due to its maintenance-free and vibration-proof connection technology. The TOP connection is especially suitable for confined spaces.

Due to its great product variety and a wire range between 0.5mm² and 16mm² the **fasis** BIT series enables many innovative solutions for various requirements.

DIN rail terminal blocks with screw connection

The screw connection technology of series **selos** BIT is the best known and most widely used connection technology worldwide. The lateral connection option makes wiring more convenient in installations, especially on the supply side and in the case of larger cross sections.

The user-friendly **selos** BIT series can be used universally in the wire range between 0.5mm² and 50mm².

X-ON Electronics

Largest Supplier of Electrical and Electronic Components

Click to view similar products for [Accessories for Robotics and RC category](#):

Click to view products by [Wieland manufacturer](#):

Other Similar products are found below :

[56T705](#) [015-9516-002](#) [01.001.6453.0](#) [641763-8](#) [CW106-01X](#) [CW30101A](#) [CW31701A](#) [D2041839](#) [70.352.0628.0](#) [73.353.4028.1](#) [FB22001A](#)
[FB30601A](#) [9009030000](#) [9501](#) [121587-0026](#) [1218510-1](#) [1218629-4](#) [1218630-4](#) [1261000A00M001](#) [128-26-5](#) [RFI77-14](#) [1367251-2](#) [14](#) [1-](#)
[449604-1](#) [1460g4](#) [1470g4](#) [DV0PM20034](#) [MS27488-16-1](#) [MS3057-12A W/B](#) [MS3057-8A-624](#) [MS600-2-XP-1A](#) [MS-602-GEE-14-07C](#)
[MS603-12-01A](#) [MS90376-14R](#) [MS90376-16RB](#) [MTB1-11PH3](#) [1676610000](#) [1A9224 REV A](#) [210-115](#) [CA20L22](#) [2227383-1](#) [225-0090-000](#)
[225-0098-000](#) [KA-89-82](#) [CB20201X](#) [KC-89-104](#) [CB30601A](#) [CB31201A](#) [236-600](#) [CBC120210-752](#)