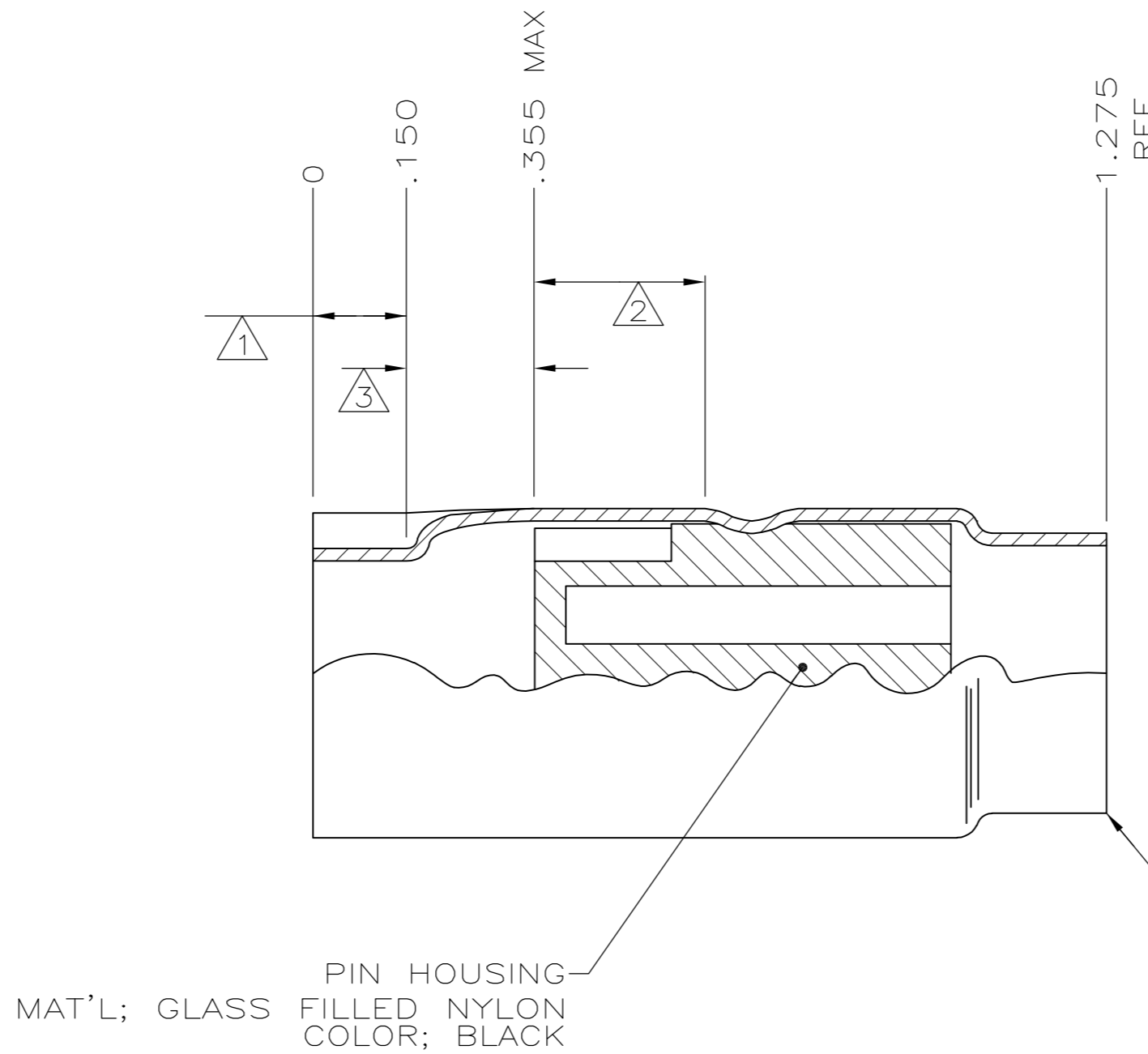
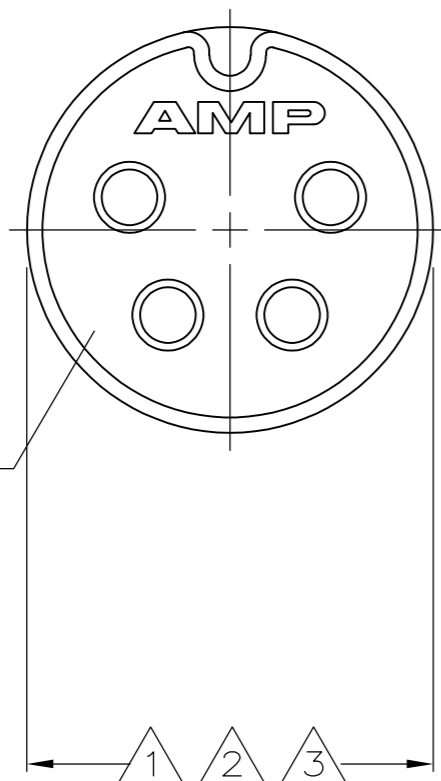


THIS DRAWING IS UNPUBLISHED. RELEASED FOR PUBLICATION
 © COPYRIGHT - By - ALL RIGHTS RESERVED.

LOC		DIST		REVISIONS			
P	LTR	DESCRIPTION	DATE	DWN	APVD		
GP	00	J1	REVISED PER ECO-11-005033	23MAR11	RK	HMR	

4 POSN MATING FACE SHOWN, REF ONLY



- ① SHELL DIAMETER IN THIS AREA TO BE $.529 \pm .005$ MEASURED ANYWHERE EXCEPT OVER KEY.
- ② SHELL DIAMETER IN THIS AREA TO BE $.531 \pm .003$.
- ③ SHELL DIAMETER IN KEY TRANSITION AREA MAY NOT EXCEED $.535$ AT ANY MEASUREMENT POINT.
- ④ TIN-LEAD.
- ⑤ TIN.

PIN HOUSING MAT'L; GLASS FILLED NYLON COLOR; BLACK

SHIELD MAT'L; BRASS FINISH; TIN/PLATE

	⑤	CIRCULAR DIN SUB-ASSEMBLY, 8 POSITION	9-212437-2
	⑤	CIRCULAR DIN SUB-ASSEMBLY, 6 POSITION	9-212437-1
	⑤	CIRCULAR DIN SUB-ASSEMBLY, 5 POSITION	9-212437-0
	⑤	CIRCULAR DIN SUB-ASSEMBLY, 4 POSITION	212437-7
OBSOLETE	④	CIRCULAR DIN SUB-ASSEMBLY, 8 POSITION	212437-6
OBSOLETE	④	CIRCULAR DIN SUB-ASSEMBLY, 7 POSITION	212437-5
OBSOLETE	④	CIRCULAR DIN SUB-ASSEMBLY, 6 POSITION	212437-4
OBSOLETE	④	CIRCULAR DIN SUB-ASSEMBLY, 5 POSITION	212437-3
OBSOLETE	④	CIRCULAR DIN SUB-ASSEMBLY, 4 POSITION	212437-2
OBSOLETE	④	CIRCULAR DIN SUB-ASSEMBLY, 3 POSITION	212437-1

SHIELD FINISH	DESCRIPTION	PART NUMBER
---------------	-------------	-------------

THIS DRAWING IS A CONTROLLED DOCUMENT.		DWN L. Varela - Dock5 11-10-05	TE TE Connectivity													
DIMENSIONS: INCHES		CHK C. ROHDE 11-10-05														
TOLERANCES UNLESS OTHERWISE SPECIFIED:		APVD M. WALMSLEY 11-10-05	NAME CIRCULAR DIN PLUG, SUB-ASSEMBLY													
<table border="1"> <tr><td>0 PLC</td><td>± -</td></tr> <tr><td>1 PLC</td><td>± -</td></tr> <tr><td>2 PLC</td><td>± -</td></tr> <tr><td>3 PLC</td><td>± .010</td></tr> <tr><td>4 PLC</td><td>± -</td></tr> <tr><td>ANGLES</td><td>± -</td></tr> </table>		0 PLC	± -	1 PLC	± -	2 PLC	± -	3 PLC	± .010	4 PLC	± -	ANGLES	± -	PRODUCT SPEC	SIZE A2	
0 PLC	± -															
1 PLC	± -															
2 PLC	± -															
3 PLC	± .010															
4 PLC	± -															
ANGLES	± -															
MATERIAL SEE TABLE		APPLICATION SPEC	CAGE CODE 00779	DRAWING NO C-212437												
FINISH SEE TABLE		WEIGHT -	RESTRICTED TO -	SCALE 1:1												
		CUSTOMER DRAWING	SHEET 1 of 1	REV J1												

X-ON Electronics

Largest Supplier of Electrical and Electronic Components

Click to view similar products for [Circular DIN Connectors](#) category:

Click to view products by [TE Connectivity](#) manufacturer:

Other Similar products are found below :

[CTV06RQF-25-8SA-LC](#) [CTV06RQF-25-8S-LC](#) [CTV06RQW-25-8SB-LC](#) [CTV06RW-25-20P](#) [CTV06RW-25-20PA](#) [CTV06RW-25-20PB](#)
[CTV06RW-25-20PE-LC](#) [CTV06RW-25-20SB](#) [CTV06RW-25-20SE](#) [CTV07RW-17-8S\(506\)](#) [CTVP00RW-19-32S\(506\)](#) [CTVP00RW-9-35S\(506\)](#) [M83723/71R20416](#) [M83723/71R22196](#) [M83723/71W2039N](#) [M83723/71W24196](#) [M83723/71W2419N](#) [M83723/72A1404N-LC](#)
[M83723/72R1203N](#) [M83723/72W20418](#) [M83723/72W22126](#) [M83723/72W22556](#) [M83723/72W2419N](#) [M83723/72W2461N](#)
[M83723/73R2028N](#) [M83723/73R2039N](#) [M83723/73W1412N](#) [M83723/73W2039N](#) [M83723/74R1624N](#) [M83723/74R1808N](#)
[M83723/74R2212N](#) [M83723/74W1203N](#) [M83723/74W1412N](#) [M83723/74W20416](#) [M83723/74W2041N](#) [M83723/75R10058](#)
[M83723/75W2232N](#) [M83723/76R14157](#) [M83723/76R20256](#) [M83723/76W1808N](#) [M83723/76W2016N](#) [M83723/76W2461N](#)
[M83723/77W2016N](#) [M83723/78R22327](#) [M83723/78W2212N](#) [M83723/78W22556](#) [M85049/50-5F](#) [D38999/20FF11AC](#) [D38999/20FJ20BB](#)
[D38999/20FJ20SC](#)