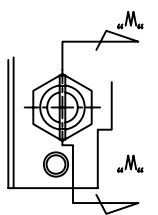
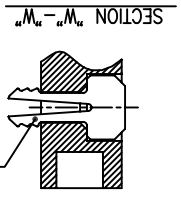


PRODUCT NO.
92140

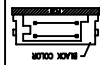
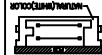
92140-xxxxH
(OPTIONAL HOLD DOWN)



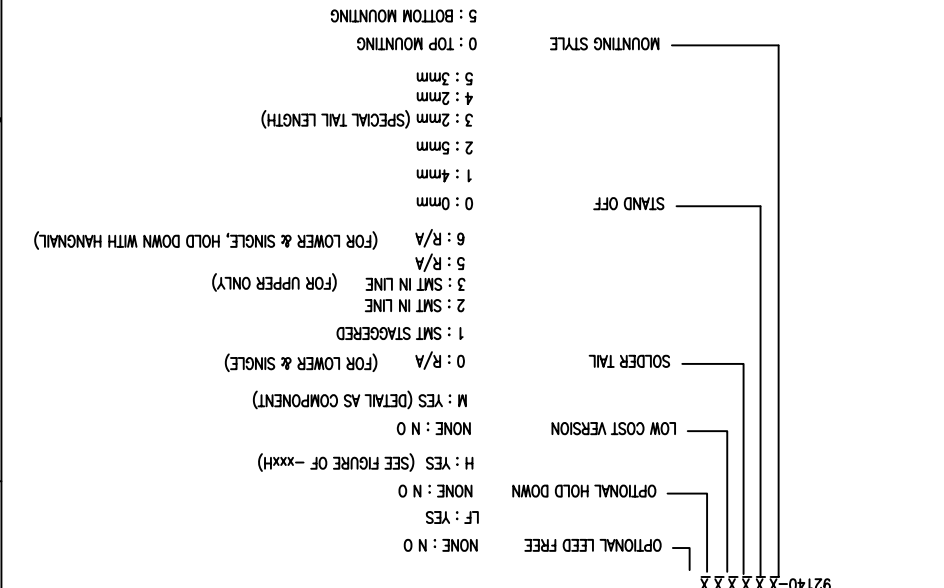
① HOLD DOWN
TYP.(2)

NOTE
1. THIS PRODUCT MEETS EUROPEAN UNION DIRECTIVES AND OTHER COUNTRY REGULATIONS AS DESCRIBED IN GS-22-008.
2. PRODUCT SPEC: 110-263

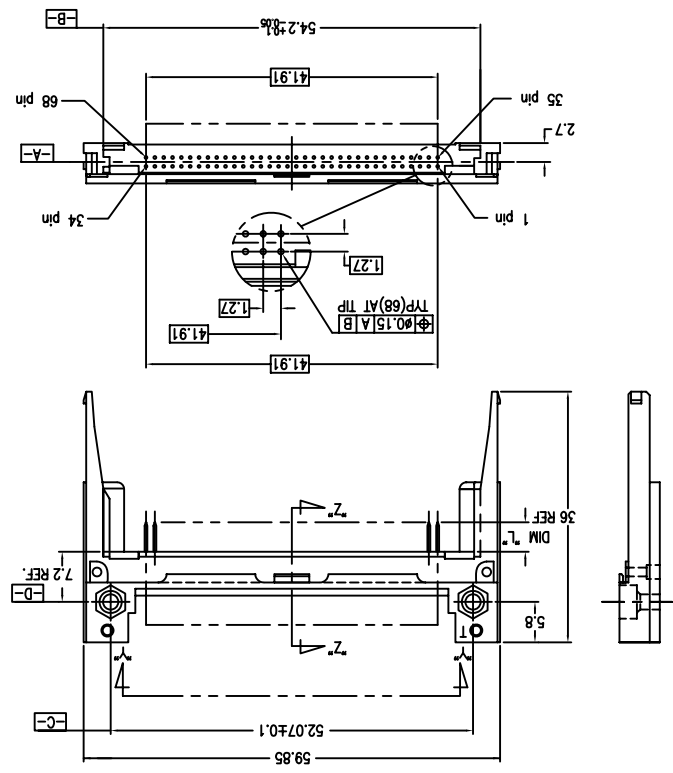
PRODUCT NO.	STAND OFF	SOLDER TAIL	DIM "P"	DIM "Q"	DIM "R"	FOR LOWER DECK	D HOLD DOWN	ALIGNMENT	LOCATOR FOR SOLDER TAIL TO PCB	MOUNTING STYLE	SHEET NO.
92140-xxxx	DIM"(mm)	DIM"(mm)	DIM"(mm)	DIM"(mm)	DIM"(mm)	OR UPPER DECK					
000	0	R/A	2.8	2.8	2.8	---	---	---	---	TOP MOUNT	NO.2
000M	0	R/A	2.8	2.8	2.8	---	---	---	---	---	
000MF	0	R/A	2.8	2.8	2.8	---	---	---	---	---	
000H	0	R/A	2.8	2.8	2.8	---	---	---	---	---	
000HF	0	R/A	2.8	2.8	2.8	---	---	---	---	---	
001	0	SMT SIG.	---	---	---	---	---	---	---	---	
001H	0	SMT SIG.	---	---	---	---	---	---	---	---	
001HF	0	SMT SIG.	---	---	---	---	---	---	---	---	
002	0	SMT TL.	---	---	---	---	---	---	---	---	
002H	0	SMT TL.	---	---	---	---	---	---	---	---	
002HF	0	SMT TL.	---	---	---	---	---	---	---	---	
003	0	R/A	2.8	2.8	2.8	---	---	---	---	---	
003M	0	R/A	2.8	2.8	2.8	---	---	---	---	---	
003MF	0	R/A	2.8	2.8	2.8	---	---	---	---	---	
003H	0	R/A	2.8	2.8	2.8	---	---	---	---	---	
003HF	0	R/A	2.8	2.8	2.8	---	---	---	---	---	
005	0	R/A	2.8	2.8	2.8	---	---	---	---	---	
005M	0	R/A	2.8	2.8	2.8	---	---	---	---	---	
005MF	0	R/A	2.8	2.8	2.8	---	---	---	---	---	
005H	0	R/A	2.8	2.8	2.8	---	---	---	---	---	
005HF	0	R/A	2.8	2.8	2.8	---	---	---	---	---	
020	5	R/A	2.8	2.8	2.8	---	---	---	---	---	
020M	5	R/A	2.8	2.8	2.8	---	---	---	---	---	
020MF	5	R/A	2.8	2.8	2.8	---	---	---	---	---	
020H	5	R/A	2.8	2.8	2.8	---	---	---	---	---	
020HF	5	R/A	2.8	2.8	2.8	---	---	---	---	---	
028	5	R/A	2.8	2.8	2.8	---	---	---	---	---	
028M	5	R/A	2.8	2.8	2.8	---	---	---	---	---	
028MF	5	R/A	2.8	2.8	2.8	---	---	---	---	---	
028H	5	R/A	2.8	2.8	2.8	---	---	---	---	---	
028HF	5	R/A	2.8	2.8	2.8	---	---	---	---	---	
040	2	R/A	2.8	2.8	2.8	---	---	---	---	---	
040M	2	R/A	2.8	2.8	2.8	---	---	---	---	---	
040MF	2	R/A	2.8	2.8	2.8	---	---	---	---	---	
040H	2	R/A	2.8	2.8	2.8	---	---	---	---	---	
040HF	2	R/A	2.8	2.8	2.8	---	---	---	---	---	
050	3	R/A	2.8	2.8	2.8	---	---	---	---	---	
050M	3	R/A	2.8	2.8	2.8	---	---	---	---	---	
050MF	3	R/A	2.8	2.8	2.8	---	---	---	---	---	
050H	3	R/A	2.8	2.8	2.8	---	---	---	---	---	
050HF	3	R/A	2.8	2.8	2.8	---	---	---	---	---	
500	0	R/A	2.8	2.8	2.8	---	---	---	---	---	
500M	0	R/A	2.8	2.8	2.8	---	---	---	---	---	
500MF	0	R/A	2.8	2.8	2.8	---	---	---	---	---	
500H	0	R/A	2.8	2.8	2.8	---	---	---	---	---	
500HF	0	R/A	2.8	2.8	2.8	---	---	---	---	---	
501	0	SMT SIG.	---	---	---	---	---	---	---	---	
501M	0	SMT SIG.	---	---	---	---	---	---	---	---	
501MF	0	SMT SIG.	---	---	---	---	---	---	---	---	
501H	0	SMT SIG.	---	---	---	---	---	---	---	---	
501HF	0	SMT SIG.	---	---	---	---	---	---	---	---	
502	0	SMT TL.	---	---	---	---	---	---	---	---	
502M	0	SMT TL.	---	---	---	---	---	---	---	---	
502MF	0	SMT TL.	---	---	---	---	---	---	---	---	
502H	0	SMT TL.	---	---	---	---	---	---	---	---	
502HF	0	SMT TL.	---	---	---	---	---	---	---	---	
510	4	R/A	2.8	2.8	2.8	---	---	---	---	---	
510M	4	R/A	2.8	2.8	2.8	---	---	---	---	---	
510MF	4	R/A	2.8	2.8	2.8	---	---	---	---	---	
510H	4	R/A	2.8	2.8	2.8	---	---	---	---	---	
510HF	4	R/A	2.8	2.8	2.8	---	---	---	---	---	
520	5	R/A	2.8	2.8	2.8	---	---	---	---	---	
520M	5	R/A	2.8	2.8	2.8	---	---	---	---	---	
520MF	5	R/A	2.8	2.8	2.8	---	---	---	---	---	
520H	5	R/A	2.8	2.8	2.8	---	---	---	---	---	
520HF	5	R/A	2.8	2.8	2.8	---	---	---	---	---	
530	2	R/A	1.48	1.48	1.48	---	---	---	---	---	
530M	2	R/A	1.48	1.48	1.48	---	---	---	---	---	
530MF	2	R/A	1.48	1.48	1.48	---	---	---	---	---	
530H	2	R/A	1.48	1.48	1.48	---	---	---	---	---	
530HF	2	R/A	1.48	1.48	1.48	---	---	---	---	---	
540	2	R/A	2.5	2.5	2.5	---	---	---	---	---	
540M	2	R/A	2.5	2.5	2.5	---	---	---	---	---	
540MF	2	R/A	2.5	2.5	2.5	---	---	---	---	---	
540H	2	R/A	2.5	2.5	2.5	---	---	---	---	---	
540HF	2	R/A	2.5	2.5	2.5	---	---	---	---	---	
FOR 2	FOR 2	R/A	R/A	R/A	R/A	---	---	---	---	---	
545	FOR 2	R/A	2.5	10.3	10.3	---	---	---	---	---	
545M	FOR 2	R/A	2.5	10.3	10.3	---	---	---	---	---	
545MF	FOR 2	R/A	2.5	10.3	10.3	---	---	---	---	---	
545H	FOR 2	R/A	2.5	10.3	10.3	---	---	---	---	---	
545HF	FOR 2	R/A	2.5	10.3	10.3	---	---	---	---	---	



mat'l. code	ISO 1902	surface tolerance	projection	product family	PCMCIA	title	angles	linear	scale	dwg no	sheet 1 of 7 size	type	CUSTOMER	Drawing
AL	04/23/12	ZK	0.4X0.3	68 POS EJECTOR HEADER ASSY	FOR 5.0V APPLICATION	MM	0.0XX±0.13	0.0XX±0.051	11/21/06	92140	Δ4	customer		
JH	11/29/13	JH	0.0XX±0.13			MM	0.0XX±0.13	0.0XX±0.051	11/21/06					
ZK	04/23/12	ZK	0.4X0.3			MM	0.0XX±0.13	0.0XX±0.051	11/21/06					
JH	11/29/13	JH	0.0XX±0.13			MM	0.0XX±0.13	0.0XX±0.051	11/21/06					
MZ	11/14/08	MZ	0.4X0.3			MM	0.0XX±0.13	0.0XX±0.051	11/21/06					
SH	05/28/09	SH	0.4X0.3			MM	0.0XX±0.13	0.0XX±0.051	11/21/06					
ZK	11/01/11	ZK	0.4X0.3			MM	0.0XX±0.13	0.0XX±0.051	11/21/06					
AK	05/28/09	AK	0.4X0.3			MM	0.0XX±0.13	0.0XX±0.051	11/21/06					



PRODUCT NO.	92140-000M
	92140-000M LF
	92140-000H
	92140-000H LF
	92140-001
	92140-001 LF
	92140-001H
	92140-001H LF
	92140-002
	92140-002 LF
	92140-002H
	92140-002H LF



- NOTES
- TRUE POSITION IS A FREE GRID TO PIN PATTERN ITSELF.
 - SEE TA-946 FOR PCB LAYOUT.
 - MATERIAL: HIGH TEMPERATURE THERMOPLASTIC UR94V-0 BLACK
 - PIN: COPPER ALLOY
 - HOLD-DOWN: BRASS
 - UNDER PLATING: 0.5µm MIN. Ni
 - CONTACT AREA: 0.076 µm MIN. GOLD

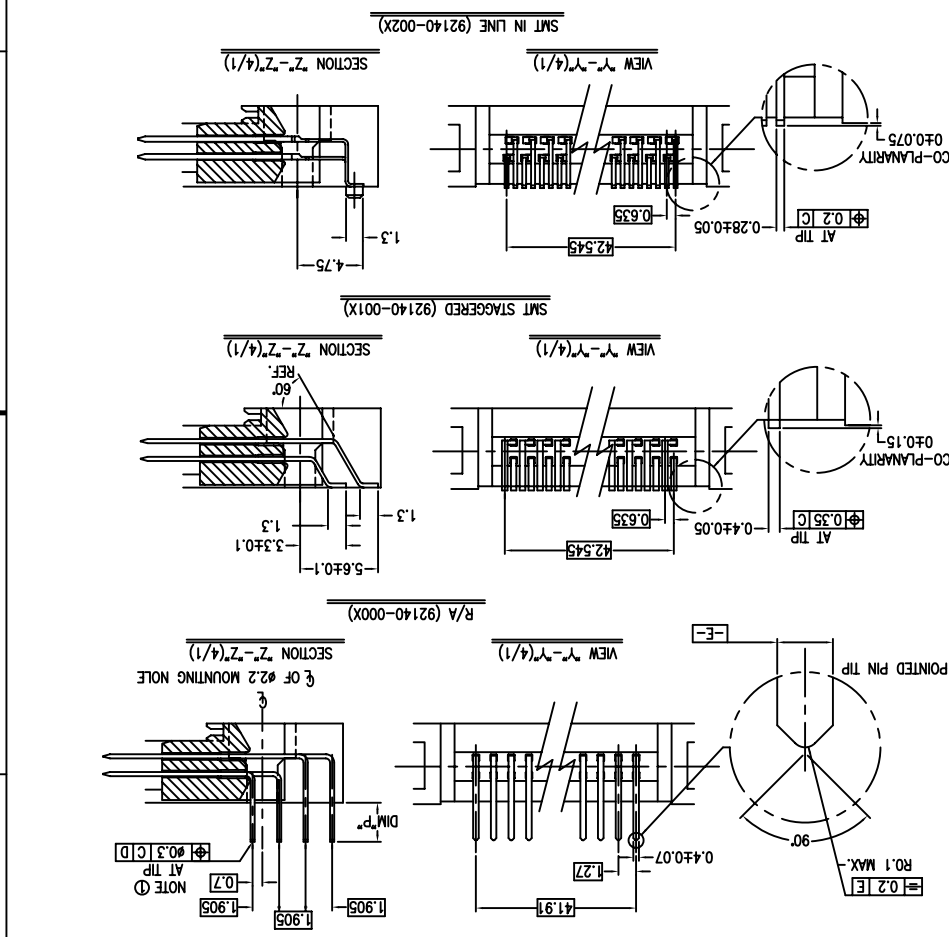
NOTE: SPECIAL VERSION ONLY 0.25µm Au
SOLDER AREA: 2.5µm MIN. Sn-Pb OR 2.5µm MIN. PURE Sn (FOR -XXXLF)
HOLD-DOWN: 2.5µm MIN. PURE Sn.
RECOMMENDED PCB HOLE (OPTIONAL HOLD-DOWN): 2.3±0.1

DIM L	
4.25±0.1	5.0±0.1
3.5±0.1	5.0±0.1
3.6±0.1	3.5±0.1
3.5±0.1	3.5±0.1

7. GENERAL TOLERANCE: ±0.3
8. SEE SHEET 1 REGARDING COMPONENTS.

5. RECOMMENDED PIN ASSIGNMENT
6. SEQUENCE PIN ASSIGNMENT

mat'l. code	ISO 1902	surface tolerance unless otherwise specified	projection	product family	PCMCIA
lit. ecn no	dr	date	AM	title	68 POS EJECTOR HEADER ASSY FOR 5.0V APPLICATION
angles	±Z	linear	tolerances unless otherwise specified	scale	MM
	±Z	0.XXX±0.13	tolerances unless otherwise specified	scale	0.XXX±0.051
		0.X±0.3			
sheet	revision	sheet	index	sheet	
appp	Jack Wang 11/21/06	appp	Jack Wang 11/21/06	chr	David Qin 11/21/06
engr	Mike Zhou 11/21/06	engr	Mike Zhou 11/21/06	dr	Mike Zhou 11/21/06



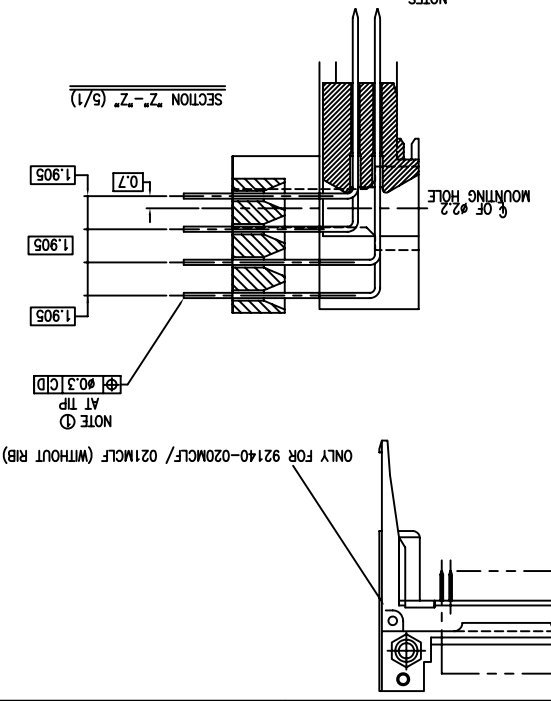
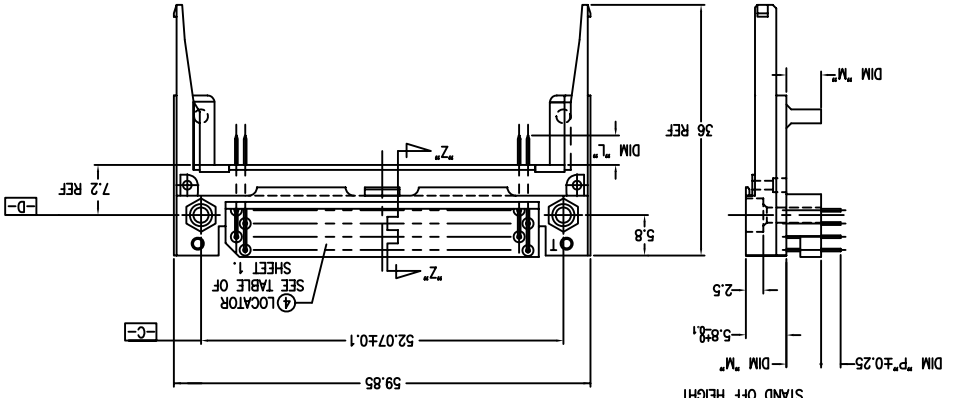
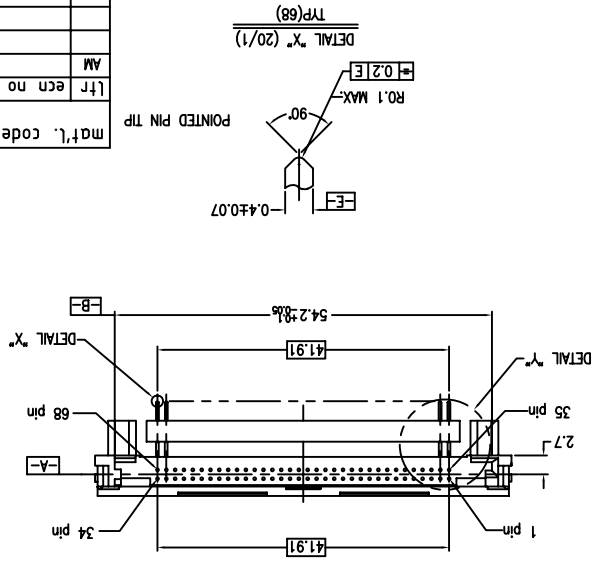
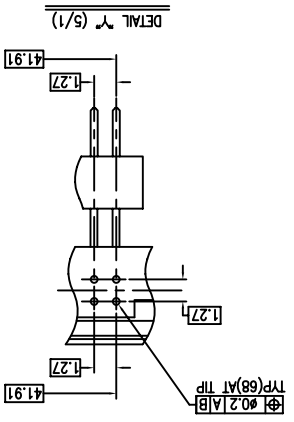
This document is the property of and embodies CONFIDENTIAL and PROPRIETARY information of FCI. No part of the information shown on this document may be used in any way or disclosed to others without the written consent of FCI.
Copyright FCI

FCIconnect.com



FCI CONFIDENTIAL

PRODUCT NO.	92140-010
PRODUCT NO.	92140-010H
PRODUCT NO.	92140-020
PRODUCT NO.	92140-020H
PRODUCT NO.	92140-040
PRODUCT NO.	92140-050
PRODUCT NO.	92140-050H
PRODUCT NO.	92140-040HLF
PRODUCT NO.	92140-020MLF
PRODUCT NO.	92140-021MLF
PRODUCT NO.	92140-026HLF



mat'l. code	iso 1902	surface	tolerance	iso 446	iso 101	projection	product family	PCMCIA
lit	ecm no	dr	date	tolerances	unless otherwise specified	title	68 POS EJECTOR HEADER ASSY	FOR 5.0V APPLICATION
AM	angles	linear	0.0XX±0.13	0.0XX±0.051	scale	MM	dwg no	92140
sheet	revision	sheet	revision	sheet	revision	type	CUSTOMER	Drawing

7. GENERAL TOLERANCE: ±0.3

PIN No.	OTHERS	36,67	35,68
DM 'L'	4.25±0.1	3.5±0.1	5.0±0.1

8. THIS PRODUCT MEETS EUROPEAN UNION DIRECTIVES AND OTHER COUNTRY REGULATIONS AS DESCRIBED IN GS-22-008

9. THIS PRODUCT MEETS EUROPEAN UNION DIRECTIVES AND OTHER COUNTRY REGULATIONS AS DESCRIBED IN GS-22-008

6. SEQUENCE PIN ASSIGNMENT

5. RECOMMENDED PCB HOLE (OPTIONAL HOLD-DOWN): 2.3±0.1

HOLD-DOWN: 2.5mm MIN. PURE Sn

SOLDER AREA: 2.5mm MIN. PURE Sn (FOR -XXXLF&XXXMLF) OR 2.5mm MIN. Sn-Pb

CONTACT AREA 2: 0.076 µm MIN. GOLD (FOR -XXXMLF)

CONTACT AREA 1: 0.076 µm MIN. GOLD

UNDER PLATING: 0.5µm MIN. Ni

FINISH: PIN

HOLD-DOWN: BRASS

PIN: COPPER ALLOY

HOUSING: HIGH TEMPERATURE THERMOPLASTIC UL94V-0 BLACK

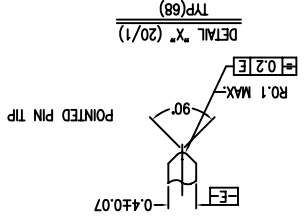
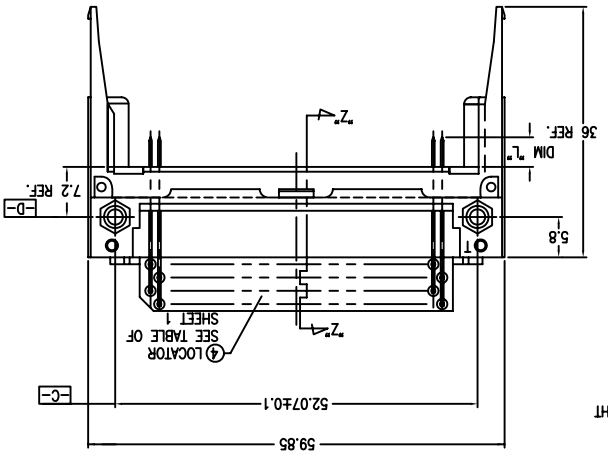
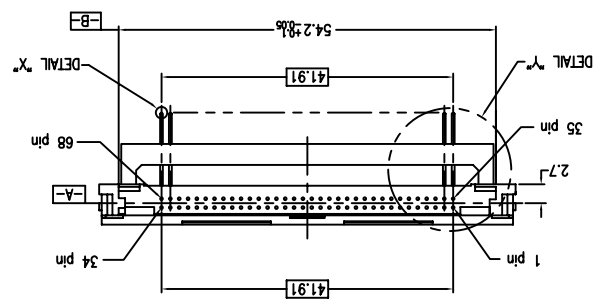
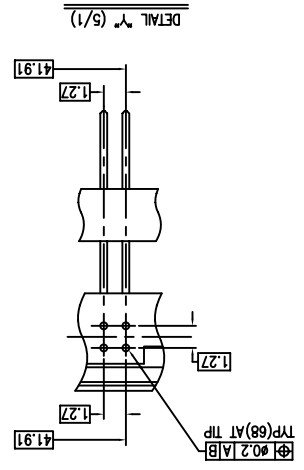
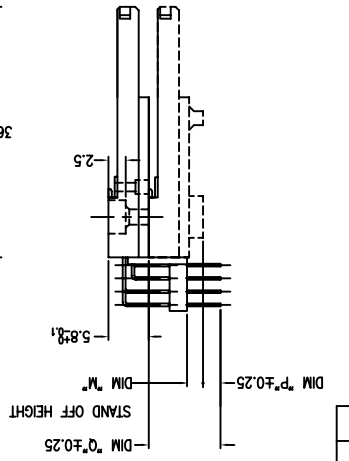
1. TRUE POSITION IS A FREE GRID TO PIN PATTERN ITSELF.

2. SEE TA-946 FOR PCB LAYOUT.

3. MATERIAL

4. LOCATOR

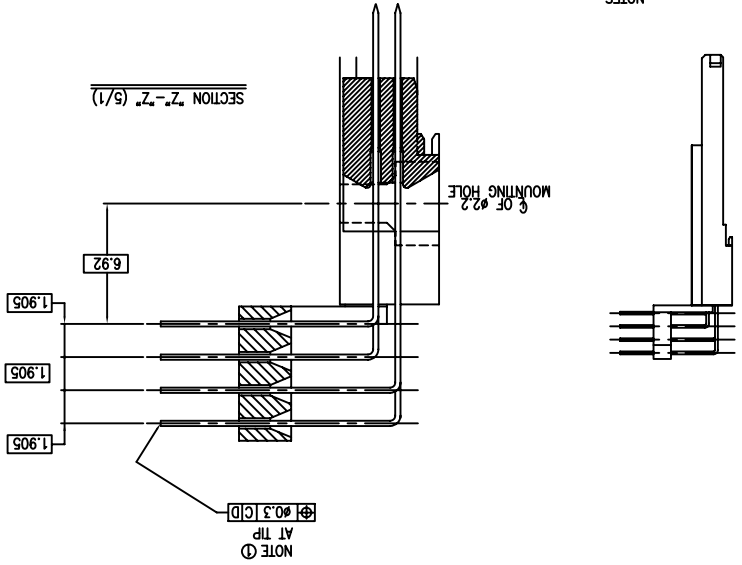
PRODUCT NO.	92140-005
	92140-005LF
	92140-045
	92140-045LF



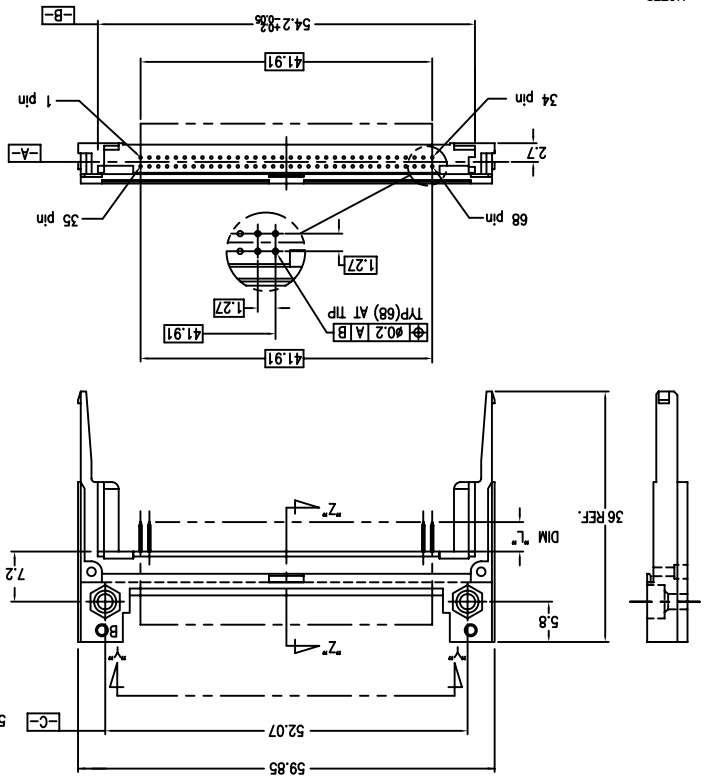
mat'l. code	iso 1902	surface tolerance	iso 446 iso 101	projection	product family	PCMCIA
litr	ecm no	dr	date	tolerances unless otherwise specified	title	68 POS EJECTOR HEADER ASSY FOR 5.0V APPLICATION
AM	angles	linear	scale	0.0XX±0.051	MM	
	angles	linear	scale	0.0XX±0.13	MM	
	angles	linear	scale	0.0XX±0.3	MM	
	angles	linear	scale	0.0XX±0.051	MM	
dwg no	92140	sheet 4 of 7	size	A4	type	CUSTOMER Drawing
sheet	revision	sheet	index	revision	sheet	index

PIN No.	OTHERS	36.67	35.51±0.08
DIM 'L'	4.25±0.1	3.5±0.1	5.0±0.1
	1.7±0.08	1.7±0.08	1.7±0.08

- NOTES
- TRUE POSITION IS A FREE GRID TO PIN PATTERN ITSELF.
 - SEE TA-946 FOR PCB LAYOUT.
 - MATERIAL
 - HOUSING : HIGH TEMPERATURE THERMOPLASTIC UL94V-0 BLACK
 - PIN : COPPER ALLOY
 - HOLD-DOWN : BRASS
 - FINISH
 - UNDER PLATING : 0.5um MIN. NI, GOLD
 - CONTACT AREA : 0.076 um MIN. GOLD
 - SOLDER AREA : 2.5um MIN. Sn-Pb
 - OR 2.5um MIN. PURE Sn (FOR -XXXLF)
 - HOLD-DOWN : 2.5um MIN. PURE Sn
 - RECOMMENDED PCB HOLE (OPTIONAL HOLD-DOWN) : 2.3±0.1
 - SEQUENCE PIN ASSIGNMENT
 - GENERAL TOLERANCE : ±0.3
 - SEE SHEET 1 REGARDING COMPONENTS.
 - THIS PRODUCT MEETS EUROPEAN UNION DIRECTIVES AND OTHER COUNTRY REGULATIONS AS DESCRIBED IN GS-22-008

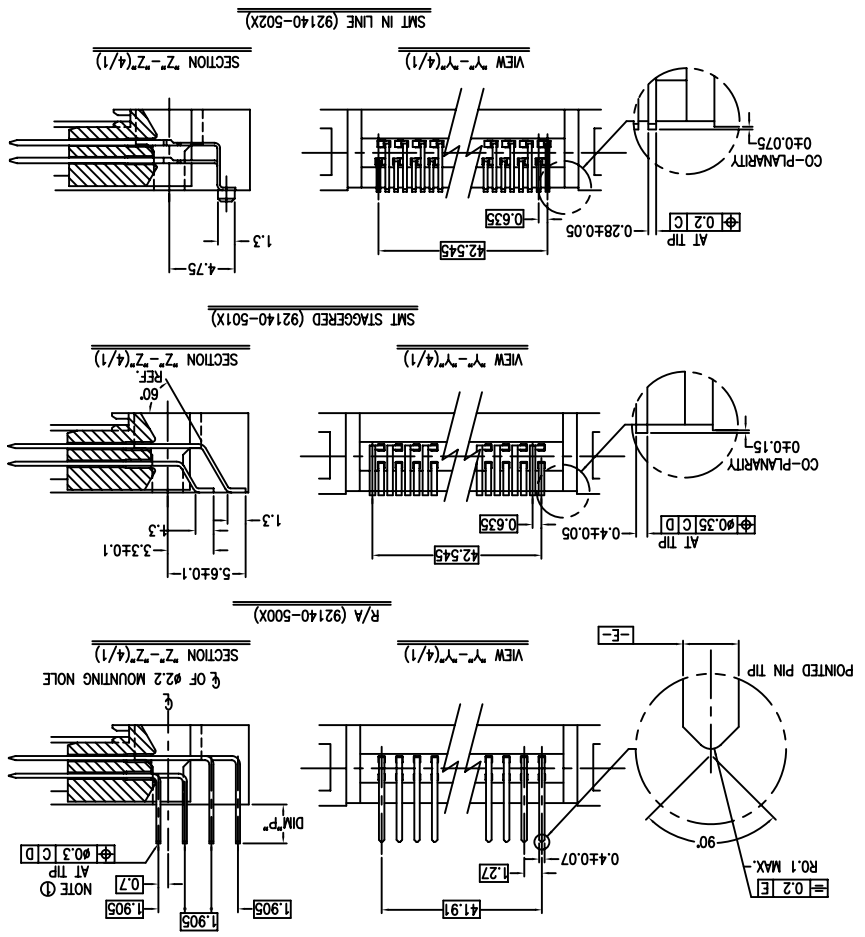


PRODUCT NO.	92140-500
	92140-500LF
	92140-500H
	92140-500HLF
	92140-501
	92140-501LF
	92140-501H
	92140-501HLF
	92140-502
	92140-502LF
	92140-502H
	92140-502HLF
	92140-503
	92140-503LF

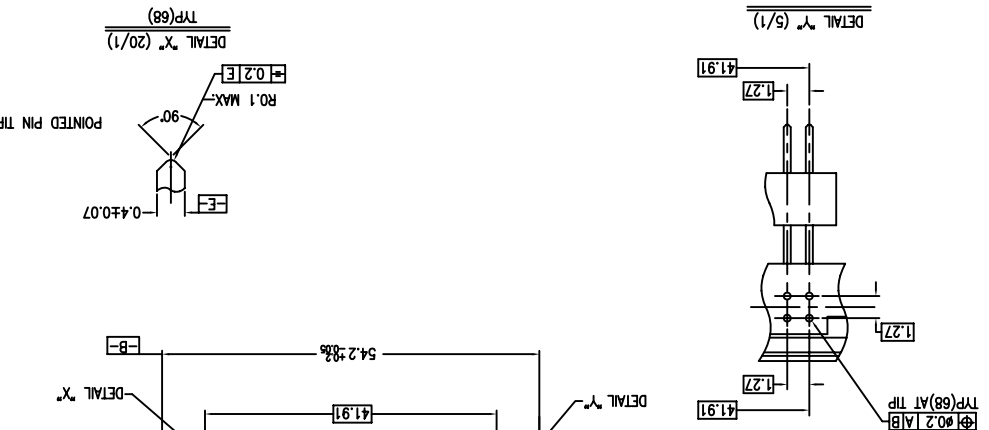
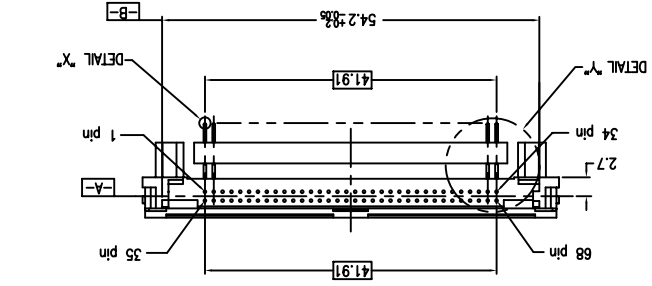
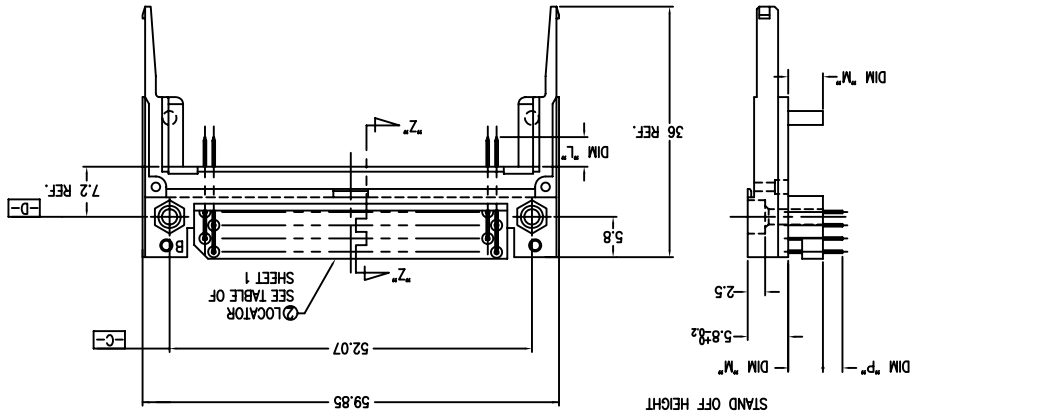


- NOTES
- ① TRUE POSITION IS A FREE GRID TO PIN PATTERN ITSELF.
 - ② SEE TA-946 FOR PCB LAYOUT.
 - ③ MATERIAL
 - HOUSING : HIGH TEMPERATURE THERMOPLASTIC UL94V-0 BLACK
 - PIN : PHOSPHOR BRONZE
 - HOLD-DOWN : BRASS
 - ④ FINISH
 - PIN UNDER PLATING : 0.5um MIN. Ni
 - CONTACT AREA : 0.076 μm MIN. GOLD
 - SOLDER AREA : 2.5um MIN. Sn-Pb.
 - OR 2.5um MIN. PURE Sn (FOR -XXXLF)
 - HOLD-DOWN : 2.5um MIN. PURE Sn
 - RECOMMENDED PCB HOLE (OPTIONAL HOLD-DOWN) : 2.3±0.1
 - 6. SEQUENCE PIN ASSIGNMENT
- | PIN NO. | OTHERS |
|----------|--------|
| 4.25±0.1 | 36.67 |
| 5.0±0.1 | 11.72 |
| DM 1* | 35.88 |
- 7. GENERAL TOLERANCE : ±0.3
 - 8. SEE SHEET 1 REGARDING COMPONENTS.
 - 9. THIS PRODUCT MEETS EUROPEAN UNION REGULATIONS AS DESCRIBED IN GS-22-008 DIRECTIVES AND OTHER COUNTRY REGULATIONS AS DESCRIBED IN GS-22-008

mat'l. code		ISO 1902	surface tolerance	ISO 446 ISO 1901	projection	product family	PCMCIA
lit	ecm no	dr	date	tolerances unless otherwise specified	title	68 POS EJCTOR HEADER ASSY FOR 5.0V APPLICATION	
MM	angles	linear	±2°	0.3X±0.13	scale	dwg no	92140
sheet	revision	sheet	index	0.1XX±0.051	type	CUSTOMER Drawing	
dr	Mike Zhou	11/21/06	11/21/06	0.0XX±0.051	sheet 5 of 7 size	A4	
engr	Mike Zhou	11/21/06					
chr	David Qin	11/21/06					
appd	Jack Wang	11/21/06					

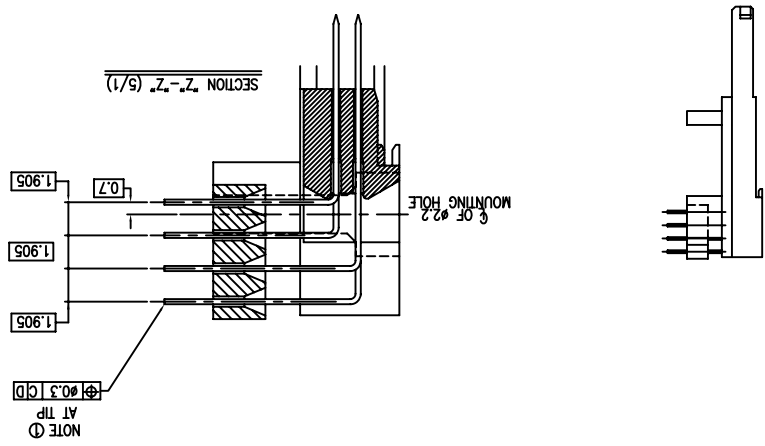


PRODUCT NO.		
92140-510	92140-510LF	92140-510HLF
92140-520	92140-520LF	92140-520HLF
92140-520H	92140-520HLF	
92140-530	92140-530LF	
92140-540	92140-540LF	



PIN No.	OTHERS	DM "Z"
4.25±0.1	3.5±0.1	5.0±0.1
1.7±0.04		1.7±0.04
		35.5±0.08

- ① TRUE POSITION IS A FREE GRID TO PIN PATTERN ITSELF.
- ② SEE TA-946 FOR PCB LAYOUT.
- ③ MATERIAL : HIGH TEMPERATURE THERMOPLASTIC U194V-0 BLACK
- ④ FINISH : COPPER ALLOY.
HOLD-DOWN : BRASS
- ⑤ UNDER PLATING : 0.5um MIN. Ni.
CONTACT AREA : 0.076 μm MIN. GOLD
- SOLDER AREA : 2.5um MIN. Sn-Pb.
OR 2.5um MIN. PURE Sn.(FOR -XXXLF)
- HOLD-DOWN : 2.5um MIN. PURE Sn.
- ⑥ RECOMMENDED PCB HOLE (OPTIONAL HOLD-DOWN) : 2.3±0.1
- ⑦ SEQUENCE PIN ASSIGNMENT



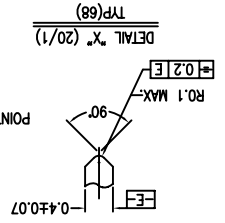
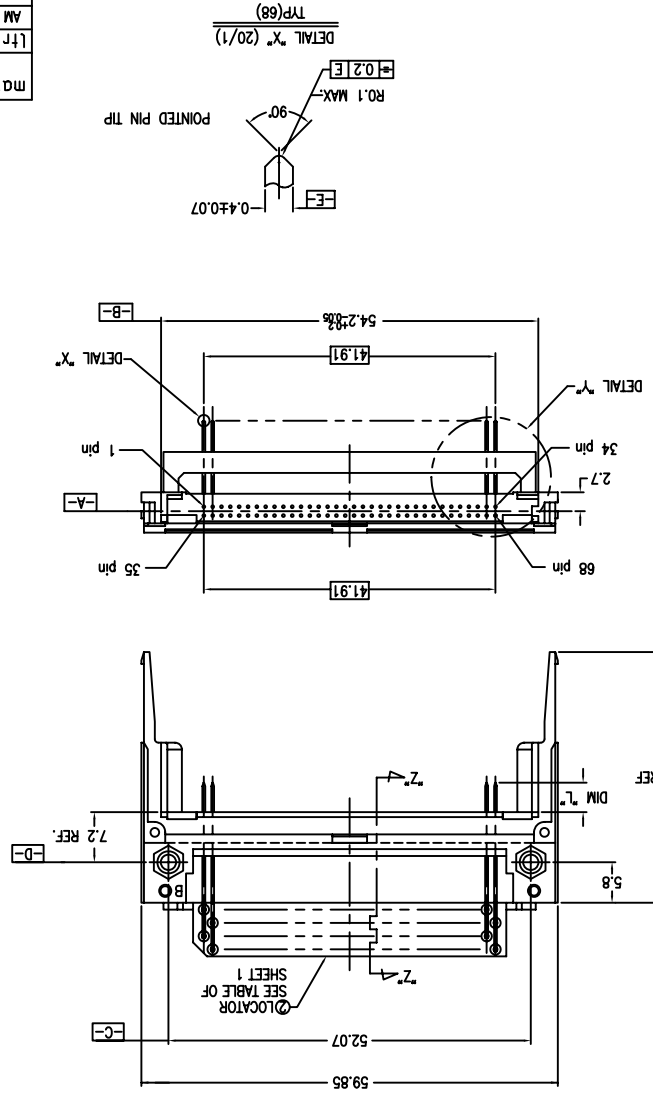
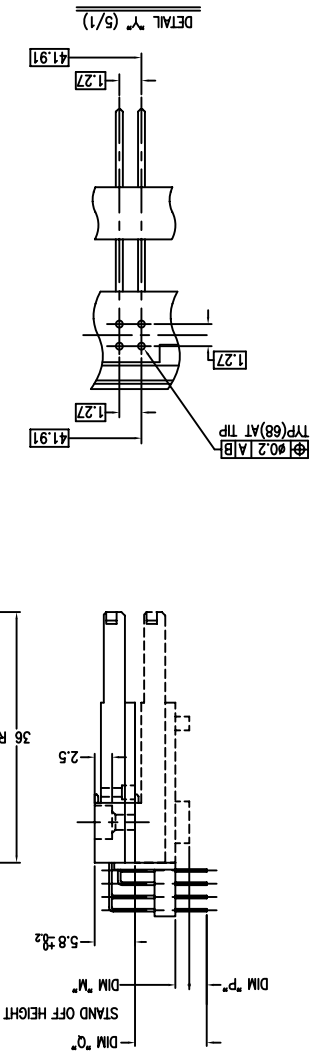
mat'l. code		ISO 1302		surface tolerance		ISO 406 ISO 101		projection		product family		PCMCIA	
Lit		ecn no		dr		date		tolerances unless otherwise specified		title		68 POS EJECTOR HEADER ASSY FOR 5.0V APPLICATION	
AM	angles	±2°	linear	0.XXX±0.13		0.XXX±0.051		scale		dwg no		92140	
sheet	revision	sheet	revision	index		sheet		type		CUSTOMER		Drawing	

7. GENERAL TOLERANCE : ±0.3

8. SEE SHEET 1 REGARDING COMPONENTS.

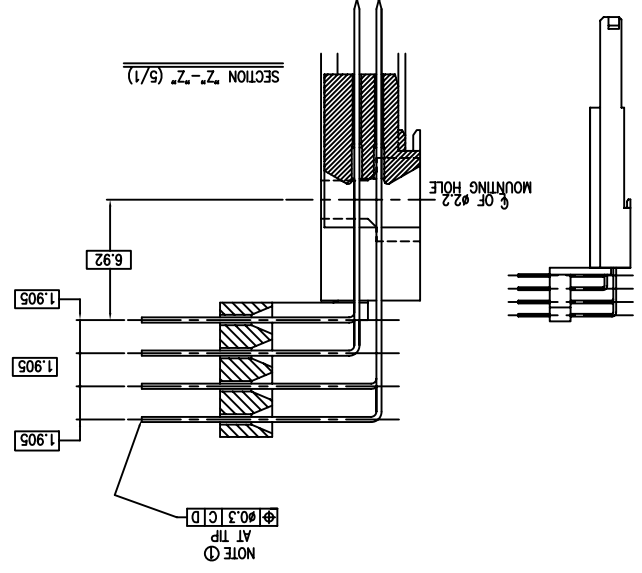
9. THIS PRODUCT MEETS EUROPEAN UNION DIRECTIVES AND OTHER COUNTRY REGULATIONS AS DESCRIBED IN GS-22-008

PRODUCT NO.	92140-505
	92140-505LF
	92140-535
	92140-535LF
	92140-545
	92140-545LF



DIM "I"	
4.25±0.1	OTHERS
3.5±0.1	36.67
5.0±0.1	35.5±0.08

- NOTES
- TRUE POSITION IS A FREE GRID TO PIN PATTERN ITSELF.
 - SEE TA-946 FOR PCB LAYOUT.
 - MATERIAL : HIGH TEMPERATURE THERMOPLASTIC U94V-0 BLACK
 - FINISH : COPPER ALLOY.
 - HOLD-DOWN : BRASS
 - UNDER PLATING : 0.5um MIN. NI.
 - CONTACT AREA : 0.076 um MIN. GOLD
 - SOLDER AREA : 2.5um MIN. Sn-Pb OR 2.5um MIN. PURE Sn.(FOR -XXXLF) HOLD-DOWN : 2.5um MIN. PURE Sn.
 - RECOMMENDED PCB HOLE (OPTIONAL HOLD-DOWN) : 2.3±0.1
 - SEQUENCE PIN ASSIGNMENT



mat'l. code	iso 1902	surface tolerance	iso 446 iso 101	projection	product family	PCMCIA
litr	ecrn no	dr	date	tolerances unless otherwise specified	title	
AM	angles	linear	scale	MM	68 POS EJECTOR HEADER ASSY FOR 5.0V APPLICATION	
	±Z	0.XX±0.13	0.XXX±0.051			
	dr	engr	chk	appd	Jack Wang	11/21/06
	dr	engr	chk	appd	David Qin	11/21/06
	dr	engr	chk	appd	Mike Zhou	11/21/06
	dr	engr	chk	appd	Mike Zhou	11/21/06
	revision	sheet	index	sheet	revision	index

dwg no	92140	sheet 7 of 7 size	type	CUSTOMER	Drawing	
AM	angles	linear	scale	MM	68 POS EJECTOR HEADER ASSY FOR 5.0V APPLICATION	
	±Z	0.XX±0.13	0.XXX±0.051			
	dr	engr	chk	appd	Jack Wang	11/21/06
	dr	engr	chk	appd	David Qin	11/21/06
	dr	engr	chk	appd	Mike Zhou	11/21/06
	dr	engr	chk	appd	Mike Zhou	11/21/06
	revision	sheet	index	sheet	revision	index

X-ON Electronics

Largest Supplier of Electrical and Electronic Components

Click to view similar products for [Memory Cards](#) category:

Click to view products by [FCT Electronics](#) manufacturer:

Other Similar products are found below :

[SQF-ISDS1-8G-21C](#) [SQF-S10M2-256G-S9E](#) [SQF-P10M1-4G-P9C](#) [CAE1B256GTFDWB00EAA0](#) [1061701](#) [CAE1B064GTFDWB00EAA0](#)
[CAE1B128GTFDWB00EAA0](#) [LMEX1L128GG2](#) [LMEX1L256GG2](#) [LNEX1L016GG4](#) [LNEX1L032GG4](#) [LNEX1L064GG4](#)
[LMEX1L016GG2](#) [LMEX1L032GG2](#) [LMEX1L064GG2](#) [SDUU1-008PDG](#) [SDUU1-0163CG](#) [SDUU1-0643SG](#) [SDUU1-1283SG](#)
[SDC2GCPGRB](#) [SDC2GGSGRB](#) [SDSDUN4-032G-GN6IN](#) [SDSDUN4-064G-GN6IN](#) [SDSDUN4-128G-GN6IN](#) [SDSDUN4-256G-GN6IN](#)
[SDSQUA4-032G-GN6IA](#) [SDSQUA4-032G-GN6MA](#) [SDSQUA4-064G-GN6IA](#) [SDSQUA4-064G-GN6MA](#) [SDSQUA4-128G-GN6IA](#)
[SDSQUA4-128G-GN6MA](#) [SDSQUA4-256G-GN6MA](#) [SDSQUA4-400G-GN6MA](#) [SDSQUNR-032G-GN3MN](#) [SDSQUNR-064G-GN3MN](#)
[SDSQXAO-256G-GNCZN](#) [SDU4GCMGRB](#) [SDUC6-002PCG](#) [SDSDAF4-256G-I](#) [SDSDAF4-512G-I](#) [SDSDQAF4-032G-I](#) [AP-](#)
[CF016GKBNS-ETNRG](#) [AP-CF002GKBNS-ETNRG](#) [SDSDAF4-064G-I](#) [MMM-3029-KNS](#) [HMC-EF283](#) [SDCFHS-016G-G46](#) [SDCFXPS-](#)
[032G-X46](#) [SDSDB-016G-B35](#) [SDSDQAF3-032G-I](#)