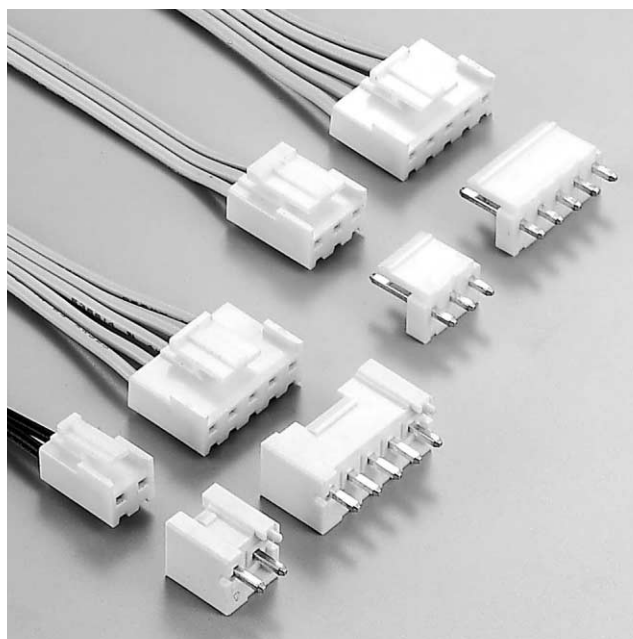
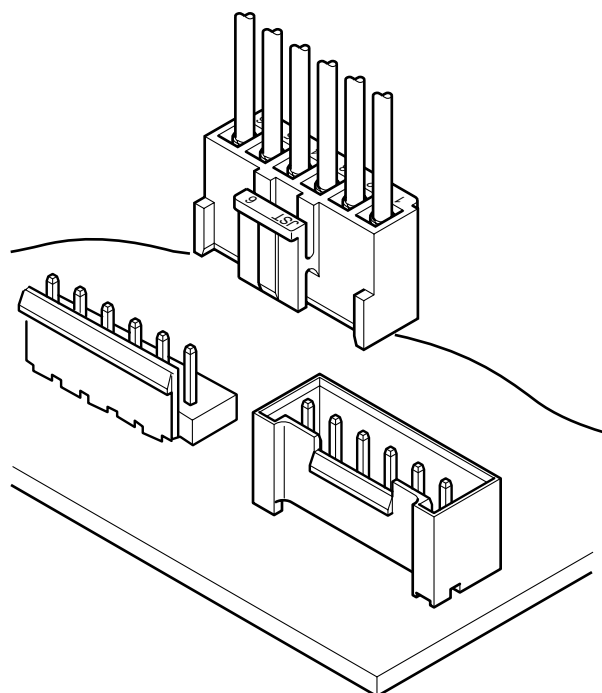


VH CONNECTOR

Disconnectable Crimp style connectors



This small, field-proven connector for printed circuit boards is reliable and has a large current carrying capacity. It can be used with a wide variety of signal, power supply, and output circuits that appear in consumer electronic products.



Features

• Proven box contact

This connector was developed with the same box-shaped contact design used successfully in the NH connectors. The reliable VH connector can be used in a wide variety of applications, from low-voltage, low-current signal circuits to power supply circuits having a relatively large capacity.

• Compact connector with a large capacity

Even though this connector has a large current carrying capacity (10A), it is compact, with a mounting height of 16.5mm (.650").

• Secure contact and mounting

The housing has a lock mechanism which prevents the connector from coming loose due to vibration. The mechanism also prevents misinsertion (misalignment or reverse insertion).

Specifications

- Current rating: 10A AC, DC (AWG#16)
- Voltage rating: 250V AC, DC
- Temperature range: -25°C to +85°C
(including temperature rise in applying electrical current)
- Contact resistance: Initial value/10m Ω max.
After environmental testing/20m Ω max.
- Insulation resistance: 1,000M Ω min.
- Withstanding voltage: 1,500V AC/minute
- Applicable wire: AWG #22 to #16
- Applicable PC board thickness: 1.6mm(.063")

Note:

Do not branch in parallel current which exceeds the rated current. If branched in parallel, current imbalance or other problems may develop. If it is absolutely necessary to branch such a large current in parallel, be sure to use contacts made of phosphor bronze. Design the circuits without causing imbalance and provide an extra margin for each circuit.

* Contact JST if Lead-Free product is required.

* Temperature Range:

The aforementioned temperature range of this connector is described in JST Standard Product Specification. Maximum temperature registered in UL is 105°C.

* Refer to "General Instruction and Notice when using Terminals and Connectors" at the end of this catalog.

* Contact JST for details.

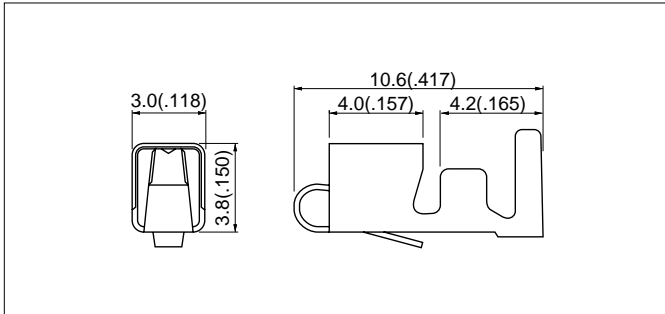
Standards

Ⓜ Recognized E60389

Ⓢ Certified LR20812

⚠ R75122

Contact



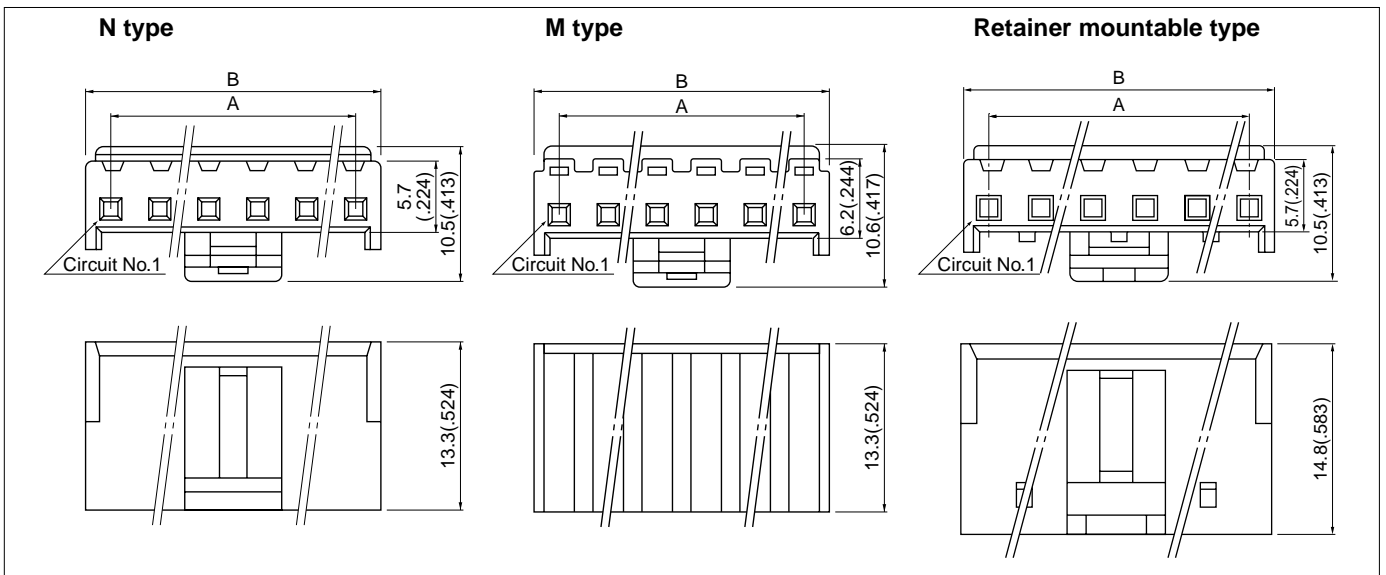
Model No.	Applicable wire			Q'ty / reel
	mm ²	AWG #	Insulation O.D. mm(in.)	
SVH-21T-P1.1	0.33 to 0.83	22 to 18	1.7 to 3.0 (.067 to .118)	4,500
SVH-41T-P1.1	0.5 to 1.25	20 to 16	1.7 to 3.0 (.067 to .118)	3,500

Material and Finish

Phosphor bronze, tin-plated

- Note: 1. Contact JST if you require contacts made of brass.
 2. When using retainer mountable type housing, applicable wire's insulation O. D. shall be 1.7 to 2.2mm (.067" to .087").

Housing



Circuits	Model No.			Dimensions mm(in.)		Q'ty / bag
	N type	M type	Retainer mountable type	A	B	
2	VHR-2N	VHR-2M	VHRR-2N	3.96(.156)	7.86(.309)	1,000
3	VHR-3N	VHR-3M	VHRR-3N	7.92(.312)	11.82(.465)	1,000
4	VHR-4N	VHR-4M	—	11.88(.468)	15.78(.621)	1,000
5	VHR-5N	VHR-5M	VHRR-5N	15.84(.624)	19.74(.777)	1,000
6	VHR-6N	VHR-6M	—	19.80(.780)	23.70(.933)	500
7	VHR-7N	VHR-7M	VHRR-7N	23.76(.935)	27.66(1.089)	500
8	VHR-8N	—	VHRR-8N	27.72(1.091)	31.62(1.245)	500
9	VHR-9N	VHR-9M	VHRR-9N	31.68(1.247)	35.58(1.401)	500
10	VHR-10N	—	—	35.64(1.403)	39.54(1.557)	500
11	VHR-11N	—	—	39.60(1.559)	43.50(1.713)	500

Material

Nylon 6, UL94V-0, natural (white)

- Note: 1. Models identified as VHR-() M incorporate measures to prevent electric shock and are thus safer in regard to high voltages.
 2. The applicable housing for 2-circuits shrouded header is "VHR-2N" only. "VHRR-2N" is not applicable.
 3. Models VHR-11N and VHRR-()N are not TÜV approved.

<For reference> As the color identification, the following alphabet shall be put in the underlined part. For availability, delivery and minimum order quantity, contact JST.

ex. **VHR-2N-oo**

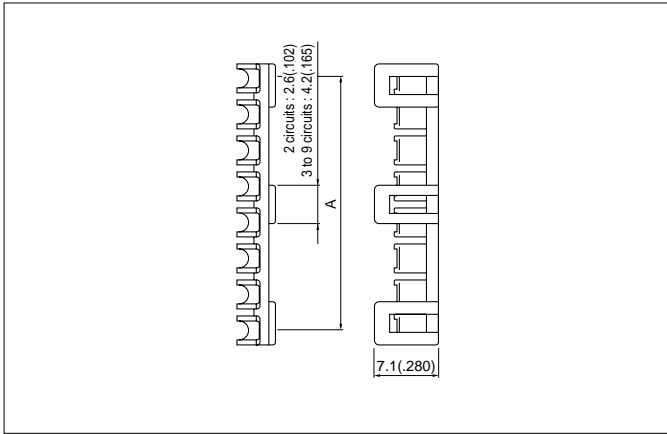
(blank)...natural (white)

BK...black R...red BL...blue M...green D...orange Y...yellow

PK...pink H...gray

VH CONNECTOR

Retainer



Circuits	Model No.	A	Q'ty / bag
2	VHS-2V	3.70(.146)	1,000
3	VHS-3V	7.52(.296)	1,000
5	VHS-5V	15.44(.608)	1,000
7	VHS-7V	23.36(.920)	1,000
8	VHS-8V	27.32(1.076)	1,000
9	VHS-9V	31.28(1.231)	1,000

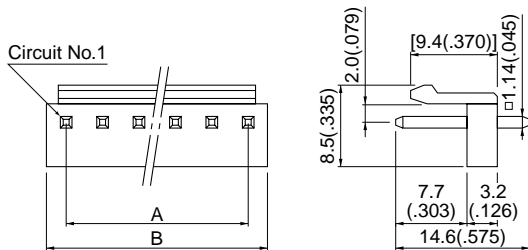
Material

Glass-filled nylon 66, UL94V-0, natural (ivory)

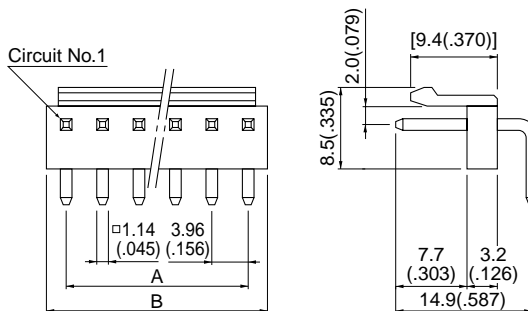
Note: Not TÜV approved.

Locking header

Top entry type



Side entry type



Circuits	Model No.		Dimensions mm(in.)		Q'ty / box	
	Top entry type	Side entry type	A	B	Top entry type	Side entry type
2	B 2P-VH	B 2PS-VH	3.96(.156)	7.86(.309)	1,000	1,000
3	B 3P-VH	B 3PS-VH	7.92(.312)	11.82(.465)	1,000	500
4	B 4P-VH	B 4PS-VH	11.88(.468)	15.78(.621)	500	500
5	B 5P-VH	B 5PS-VH	15.84(.624)	19.74(.777)	500	250
6	B 6P-VH	B 6PS-VH	19.80(.780)	23.70(.933)	250	250
7	B 7P-VH	B 7PS-VH	23.76(.935)	27.66(1.089)	250	250
8	B 8P-VH	B 8PS-VH	27.72(1.091)	31.62(1.245)	200	200
9	B 9P-VH	B 9PS-VH	31.68(1.247)	35.58(1.401)	200	200
10	B10P-VH	B10PS-VH	35.64(1.403)	39.54(1.557)	200	200

Material and Finish

Post: Brass, copper-undercoated, tin/lead-plated
Wafer: Nylon 66, UL94V-0, natural (white)

Note: Headers with a reduced number of posts are also available.
Contact JST for details.

<For reference> As the color identification,
the following alphabet shall be put in the underlined part.
For availability, delivery and minimum order quantity, contact JST.

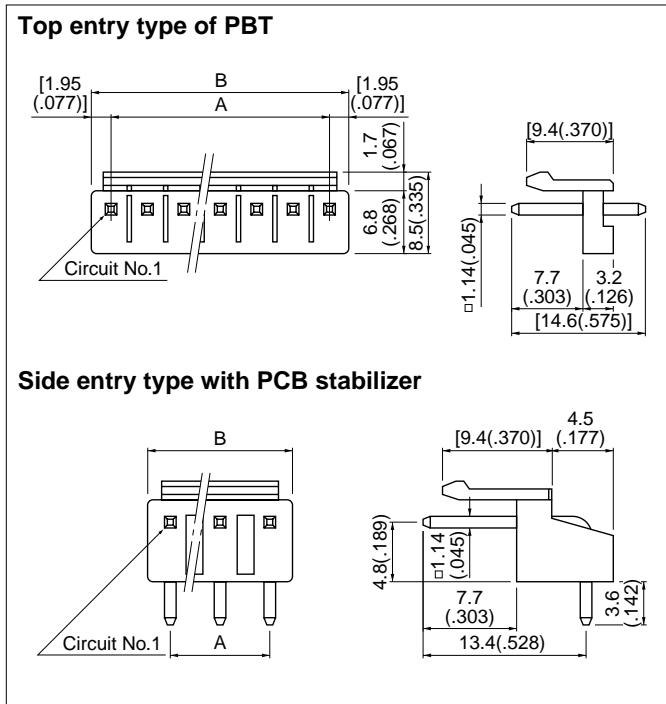
ex. **B2P(S)-VH-oo**

(blank)...natural (white)

BK...black R...red TR...tomato red BL...blue M...green

O...orange Y...yellow PK...pink H...gray

Locking header



Circuits	Model No.		Dimensions mm(in.)		Q'ty / box	
	Top entry type of PBT	Side entry type with PCB stabilizer	A	B	Top entry type	Side entry type
2	B 2P-VH-B	S2P-VH	3.96(.156)	7.86(.309)	1,000	1,000
3	B 3P-VH-B	S3P-VH	7.92(.312)	11.82(.465)	500	500
4	B 4P-VH-B	S4P-VH	11.88(.468)	15.78(.621)	500	500
5	B 5P-VH-B	S5P-VH	15.84(.624)	19.74(.777)	250	250
6	B 6P-VH-B	—	19.80(.780)	23.70(.933)	250	—
7	B 7P-VH-B	S7P-VH	23.76(.935)	27.66(1.089)	250	250
8	B 8P-VH-B	—	27.72(1.091)	31.62(1.245)	200	—
9	B 9P-VH-B	—	31.68(1.247)	35.58(1.401)	200	—
10	B10P-VH-B	—	35.64(1.403)	39.54(1.557)	200	—
11	B11P-VH-B	—	39.60(1.559)	43.50(1.713)	—	—

Material and Finish

Post: Brass, copper-undercoated, tin/lead-plated
 Wafer: Top entry type of PBT: Glass-filled PBT, UL94V-0, natural (ivory)
 Side entry type with PCB stabilizer: Nylon 66, UL94V-0, natural (white)

Note : B11P-VH-B is not TÜV approved.

<For reference> As the color identification, the following alphabet shall be put in the underlined part. For availability, delivery and minimum order quantity, contact JST.

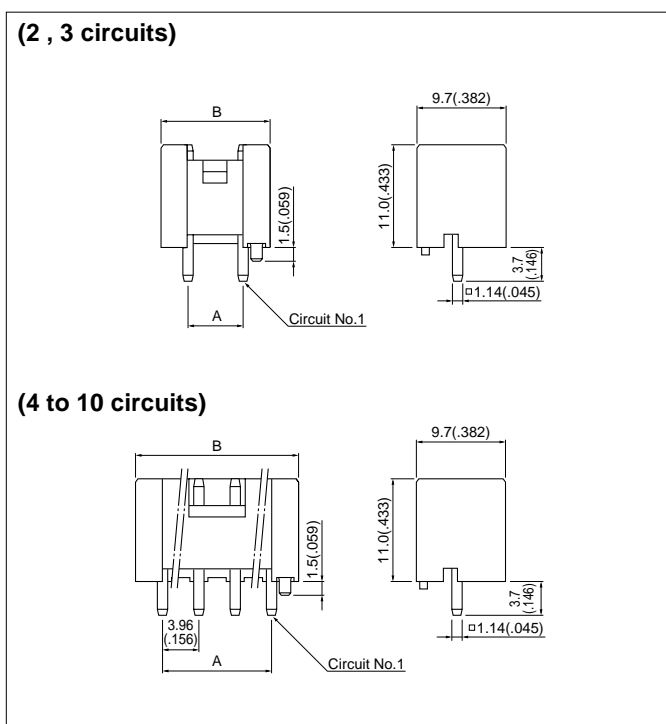
<Top entry type of PBT>

ex. **B2P-VH-B-oo**
 (blank)...natural (ivory)
 C...black R...red E...blue M...green Y...yellow

<Side entry type with PCB stabilizer>

ex. **S2P-VH-oo**
 (blank)...natural (white)
 BK...black R...red BL...blue Y...yellow M...green

Shrouded header



Circuits	Model No.	Dimensions mm(in.)		Q'ty / box
		A	B	
2	B 2P-VH-FB-B	3.96(.156)	9.80(.386)	250
3	B 3P-VH-FB-B	7.92(.312)	13.76(.542)	200
4	B 4P-VH-FB-B	11.88(.468)	17.72(.698)	150
5	B 5P-VH-FB-B	15.84(.624)	21.68(.854)	200
6	B 6P-VH-FB-B	19.80(.780)	25.64(1.009)	200
7	B 7P-VH-FB-B	23.76(.935)	29.60(1.165)	100
8	B 8P-VH-FB-B	27.72(1.091)	33.56(1.321)	100
9	B 9P-VH-FB-B	31.68(1.247)	37.52(1.477)	100
10	B10P-VH-FB-B	35.64(1.403)	41.48(1.633)	125

Material and Finish

Post: Brass, copper-undercoated, tin/lead-plated
 Wafer: Glass-filled PBT, UL94V-0, natural (white)

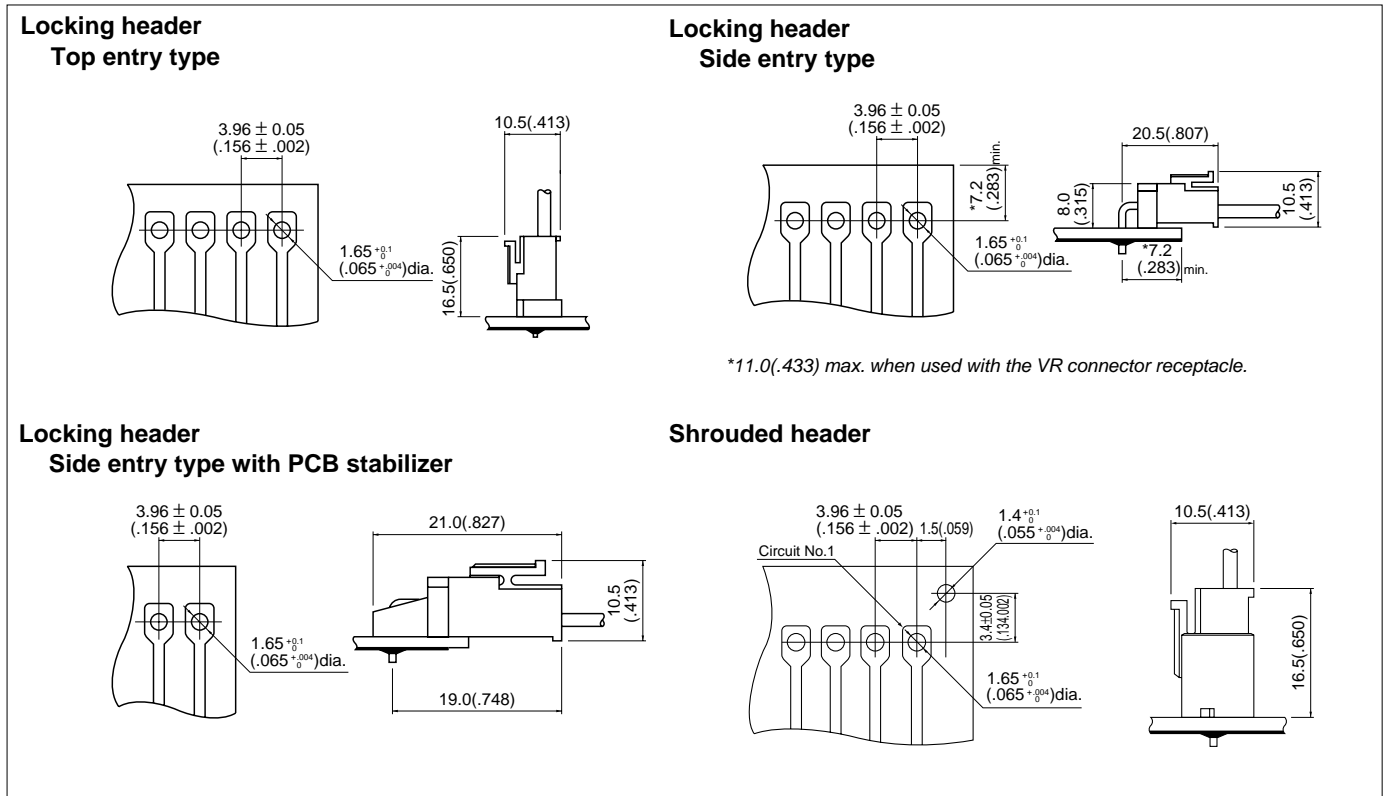
Note : The applicable housing for 2-circuits shrouded header is "VHR-2N" only. "VHRR-2N" is not applicable.

<For reference> As the color identification, the following alphabet shall be put in the underlined part. For availability, delivery and minimum order quantity, contact JST.

ex. **B2P-VH-FB-B-oo**
 (blank)...natural (white)
 R...red C...black E...blue M...green Y...yellow O...orange
 H...gray PK...pink

VH CONNECTOR

PC board layout (viewed from soldering side) and Assembly layout



Note:
 1. Tolerances are non-cumulative: ±0.05mm(±.002) for all centers.
 2. Hole dimensions differ according to the kind of PC board and piercing method. The dimensions above should serve as a guideline. Contact JST for details.

Applicator for the semi-automatic press AP-K2N

Contact	Crimp applicator MKS-L		Compact crimp applicator MKS-LS		Strip-crimp applicator MKS-SC
	with safety cover	without safety cover	with safety cover	without safety cover	with safety cover
SVH-21T-P1.1	APLMK SVH21-11	APLNC SVH21-11	-	-	APLSC SVH21-11
SVT-41T-P1.1	APLMK SVT41-11	APLNC SVT41-11	-	-	-

X-ON Electronics

Largest Supplier of Electrical and Electronic Components

Click to view similar products for [Headers & Wire Housings](#) category:

Click to view products by [JST](#) manufacturer:

Other Similar products are found below :

[95000-104TRLF](#) [10135584-644402LF](#) [DF62W-EP2022PCA](#) [95000-106TRLF](#) [DF62W-2022SCA](#) [DF62W-EP2022PC](#) [2203348](#) [DF62W-2022SC](#) [1084018](#) [1029039](#) [1084017](#) [802-10-012-10-002000](#) [1112640](#) [1112639](#) [891-007-9SS-BST1T](#) [000-34000](#) [0008550134](#) [0009482033](#) [0009507031](#) [57102-F02-18ULF](#) [57102-S06-03LF](#) [57202-S52-04LF](#) [PCN6-15S-2.5E](#) [0039019024](#) [58102-G61-06LF](#) [582553-1](#) [0009485154](#) [0009508121](#) [0022285053](#) [0050291907](#) [018731A](#) [LY20-4P-DT1-P1E-BR](#) [02.125.8002.8](#) [60101931](#) [60598-1 \(Cut Strip\)](#) [M1625-3R/100](#) [61062-3](#) [61082-181009](#) [CSU011177004](#) [636-1427](#) [638009-1](#) [641938-9](#) [641991-4](#) [644168-1](#) [644827-2](#) [647662-1](#) [65039-019ELF](#) [65692-001LF](#) [65781-018](#) [65781-047](#)