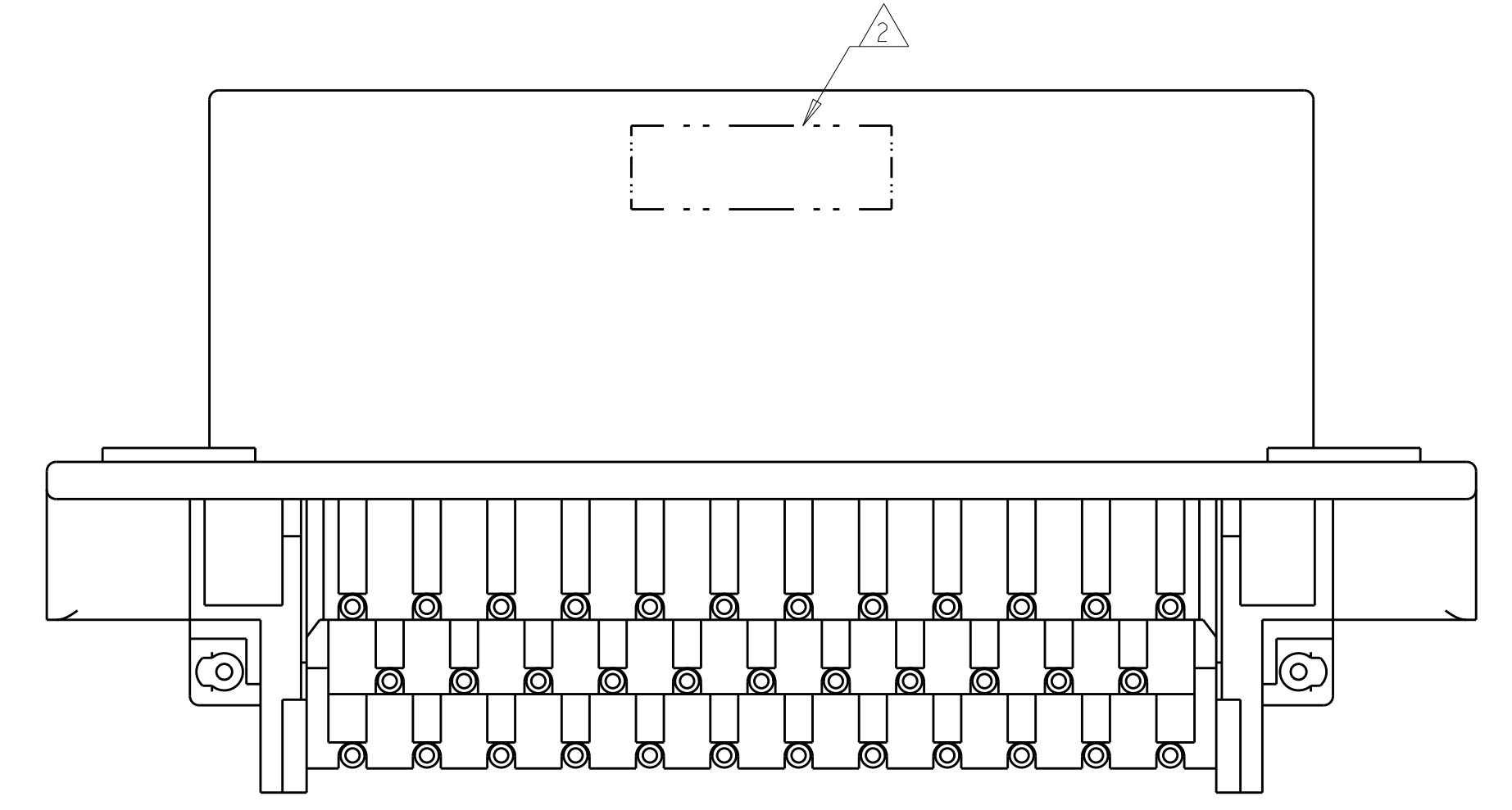
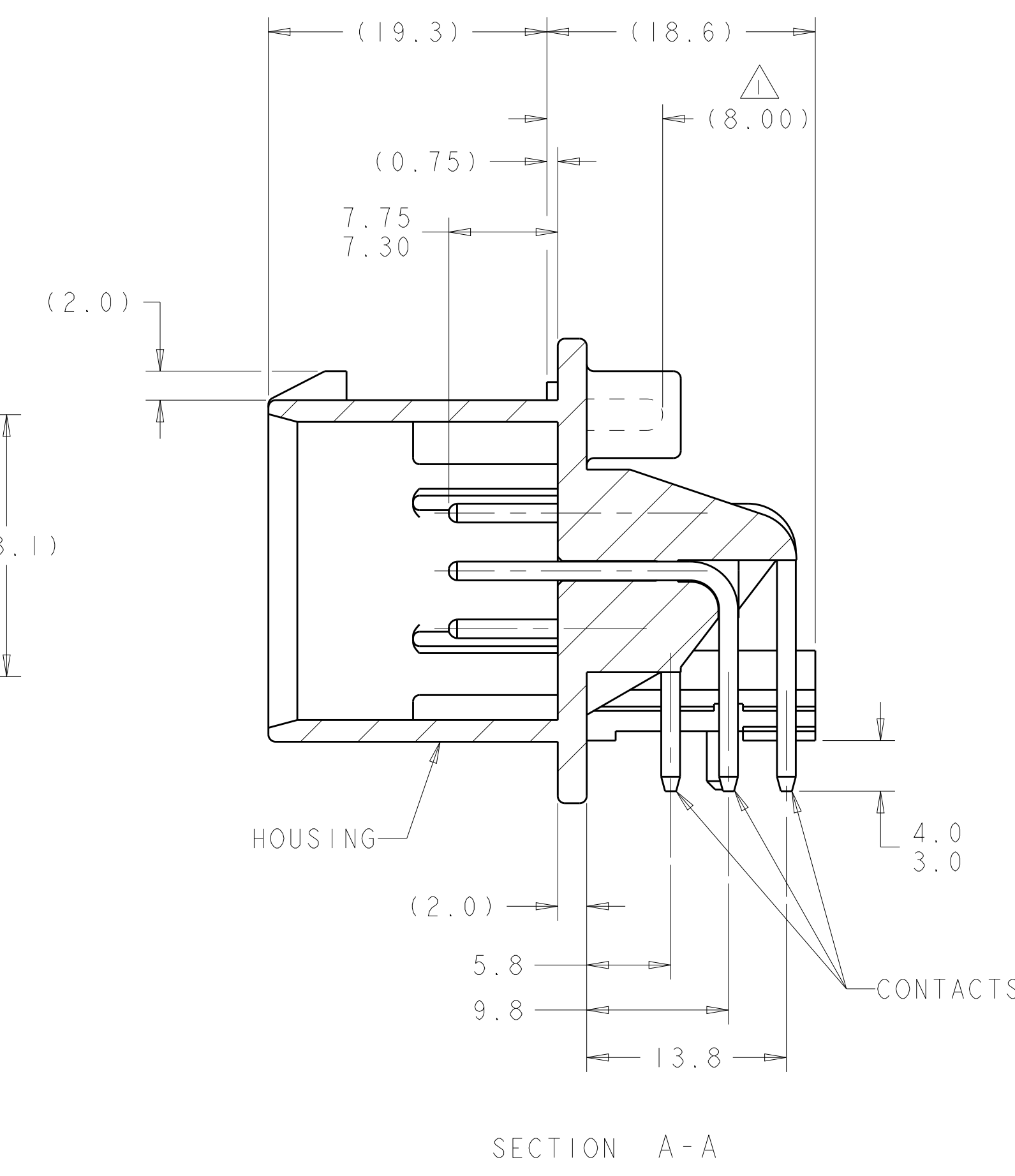
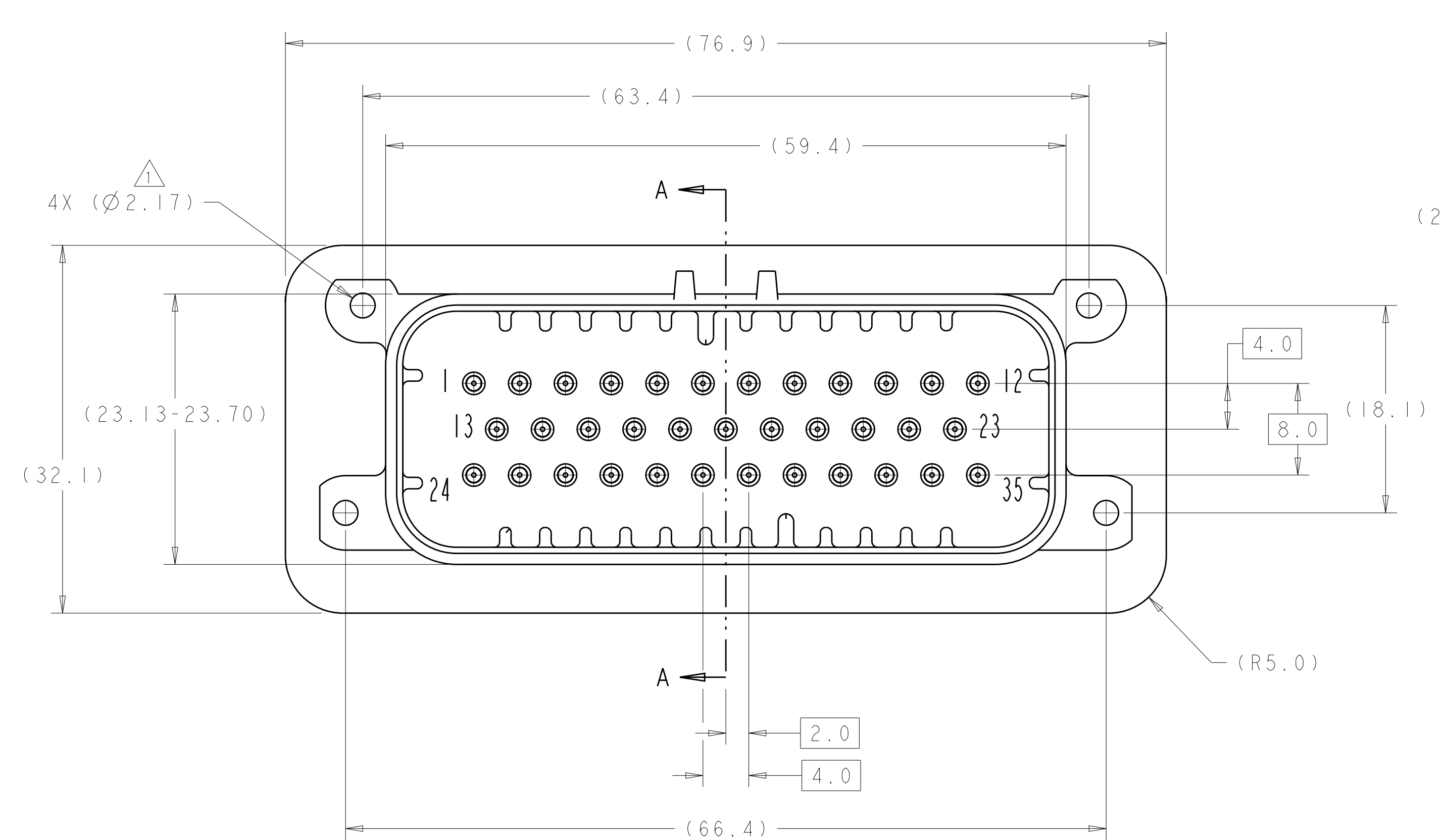


REVISIONS				
P.	LTN	DESCRIPTION	DATE	APP'D
H3		REVISED PER ECO-12-009257	29MAY2012	DD DS
H4		REVISED PER ECO-13-019430	10DEC2013	DD DS
H5		REVISED PER ECO-15-000177	30JAN2015	DD DS
H6		REVISED PER ECO-15-003872	25MAR2015	DD DS



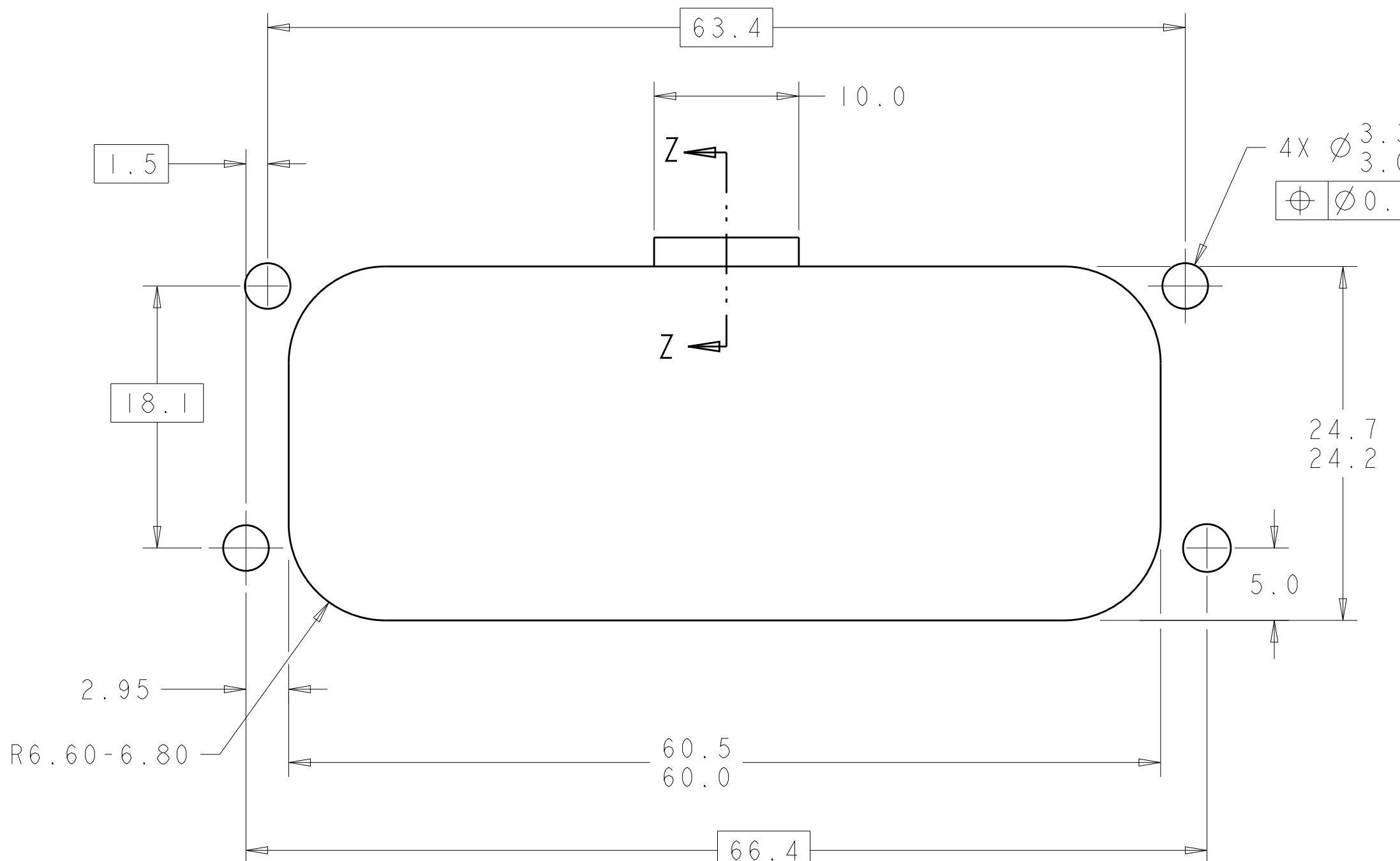
- 1 ACCEPTS #4 SELF TAPPING THREAD FORMING SCREW OR METRIC EQUIVALENT TO BE DRIVEN AT 0.6-0.8N-m
- 2 DATE CODE IN THIS LOCATION USING 5 DIGIT CODE  
 FIRST 2 DIGITS = YEAR, SECOND 2 DIGITS = WEEK  
 LAST DIGIT = DAY
- 3 HOUSING COLORS ARE MECHANICALLY KEYED TO MATE ONLY WITH IDENTICALLY COLORED PLUG ASSEMBLIES.
- 4 MATERIAL: HEADER HOUSING - GLASS FILLED PBT  
 PINS - TIN OR GOLD PLATED BRASS
- 5. HEADER MATES TO PLUG ASSEMBLY 776164 WHICH USES REELED TERMINAL 770520 OR LOOSE PIECE TERMINAL 770854

776180-1 & 1-776180-1  
 KEY LOCATION AS SHOWN

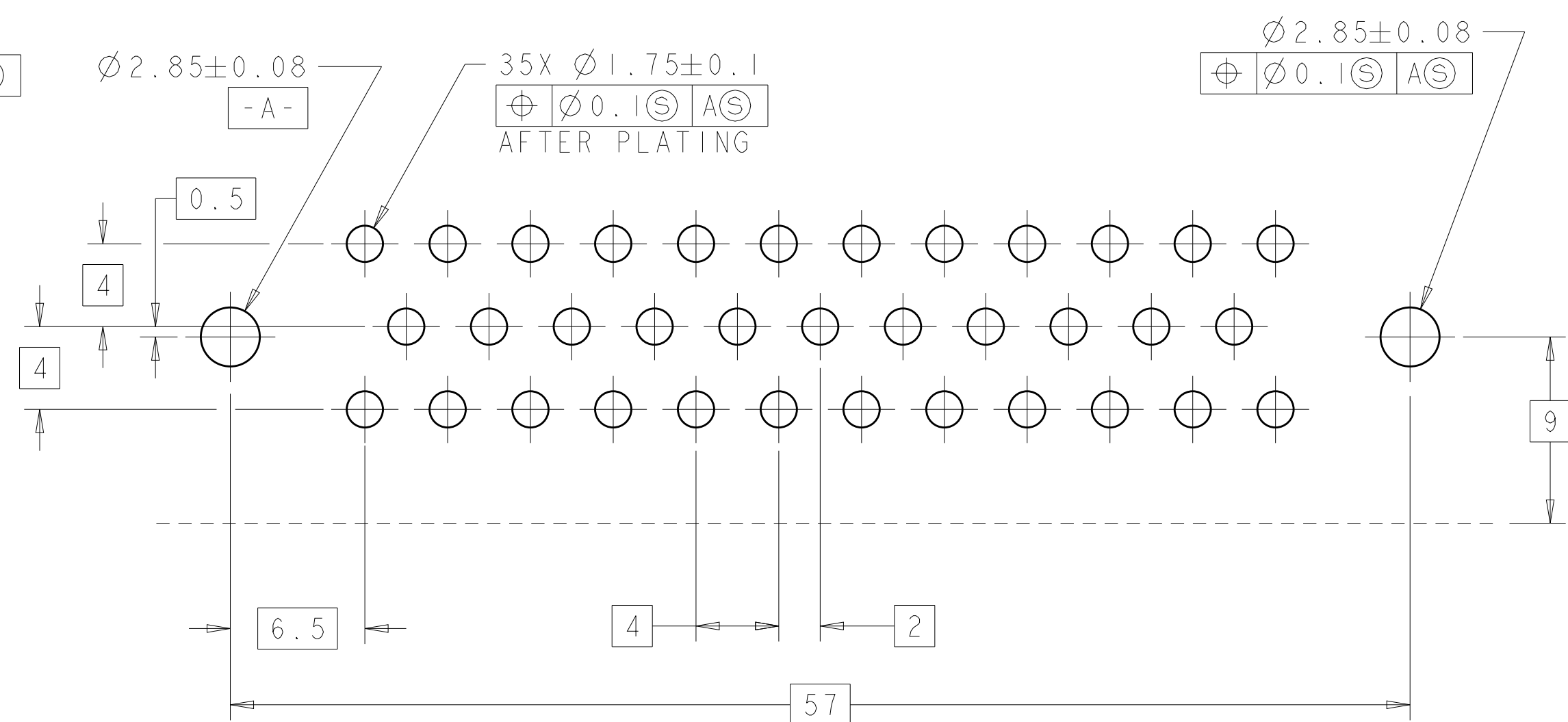
DURAGOLD	ORANGE	1-776180-6
DURAGOLD	BLUE	1-776180-5
DURAGOLD	GRAY	1-776180-4
DURAGOLD	NATURAL (WHITE)	1-776180-2
DURAGOLD	BLACK	1-776180-1
TIN	BLUE	776180-5
TIN	GRAY	776180-4
TIN	NATURAL (WHITE)	776180-2
TIN	BLACK	776180-1
FINISH	HEADER COLOR	PART NUMBER

THIS DRAWING IS A CONTROLLED DOCUMENT.		OWN: R. VESTAL 31DEC2002	TE Connectivity
DIMENSIONS: mm		CHK: D. CROWE 31DEC2002	
TOLERANCES UNLESS OTHERWISE SPECIFIED:		APVD: D. CROWE 31DEC2002	NAME: HEADER ASSEMBLY, 35 POSITION, RIGHT ANGLE, AMPSEAL
0 PLC ±0.2		PRODUCT SPEC: 108-1329	
1 PLC ±0.2		APPLICATION SPEC: 114-16016	SIZE: A100779 C=776180
2 PLC ±0.2		WEIGHT: -	
3 PLC ±0.2		CUSTOMER DRAWING	RESTRICTED TO: -
4 PLC ±0.2		SCALE: 4:1	SHEET 1 OF 2
ANGLES ±0.5		REV: H6	
FINISH			

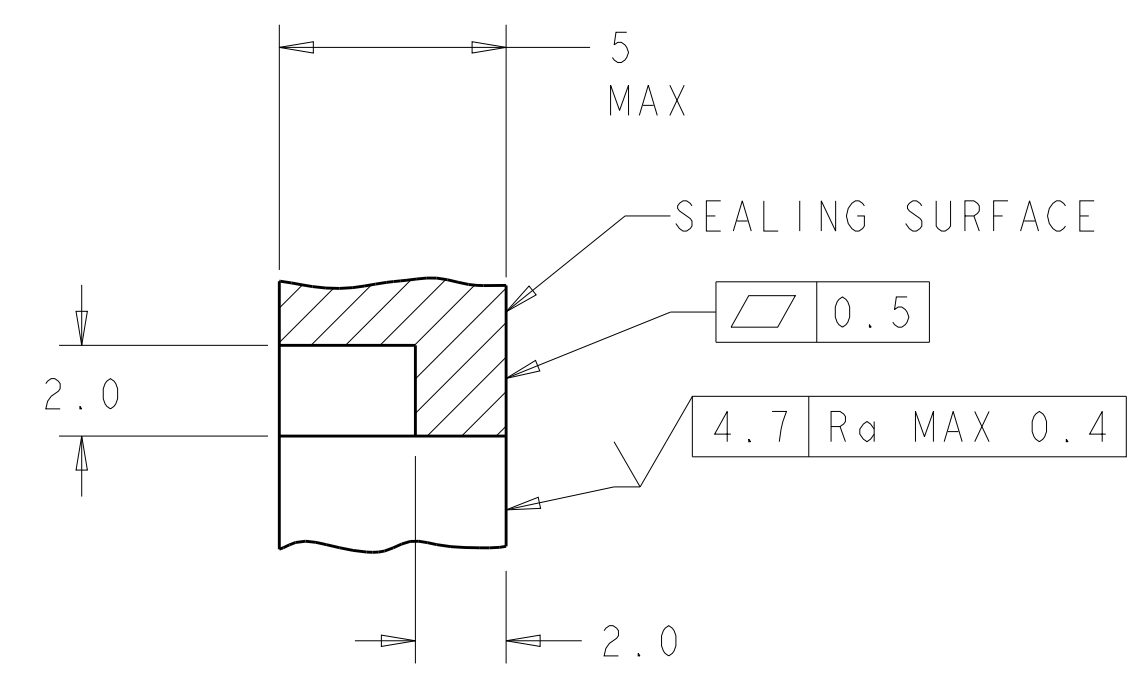
REVISIONS				
P.	LTM	DESCRIPTION	DATE	APVD
-	-	SEE SHEET 1	-	-



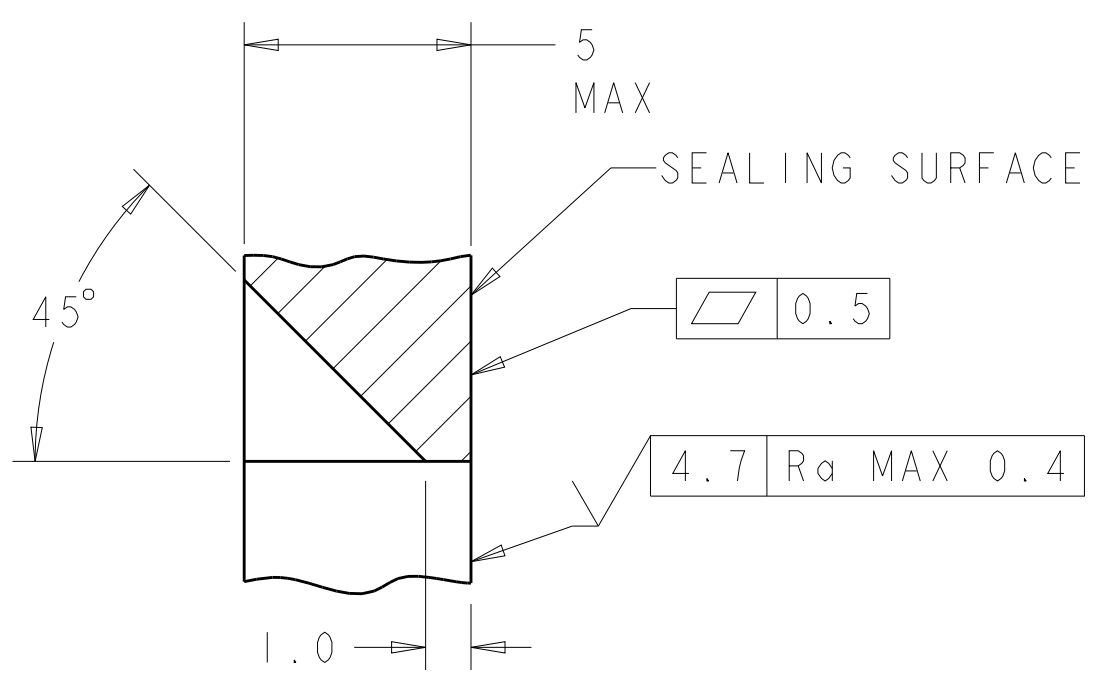
RECOMMENDED MOUNTING HOLE LAYOUT  
 FOR 5.0 MAX THICK PANEL  
 SCALE 3:1



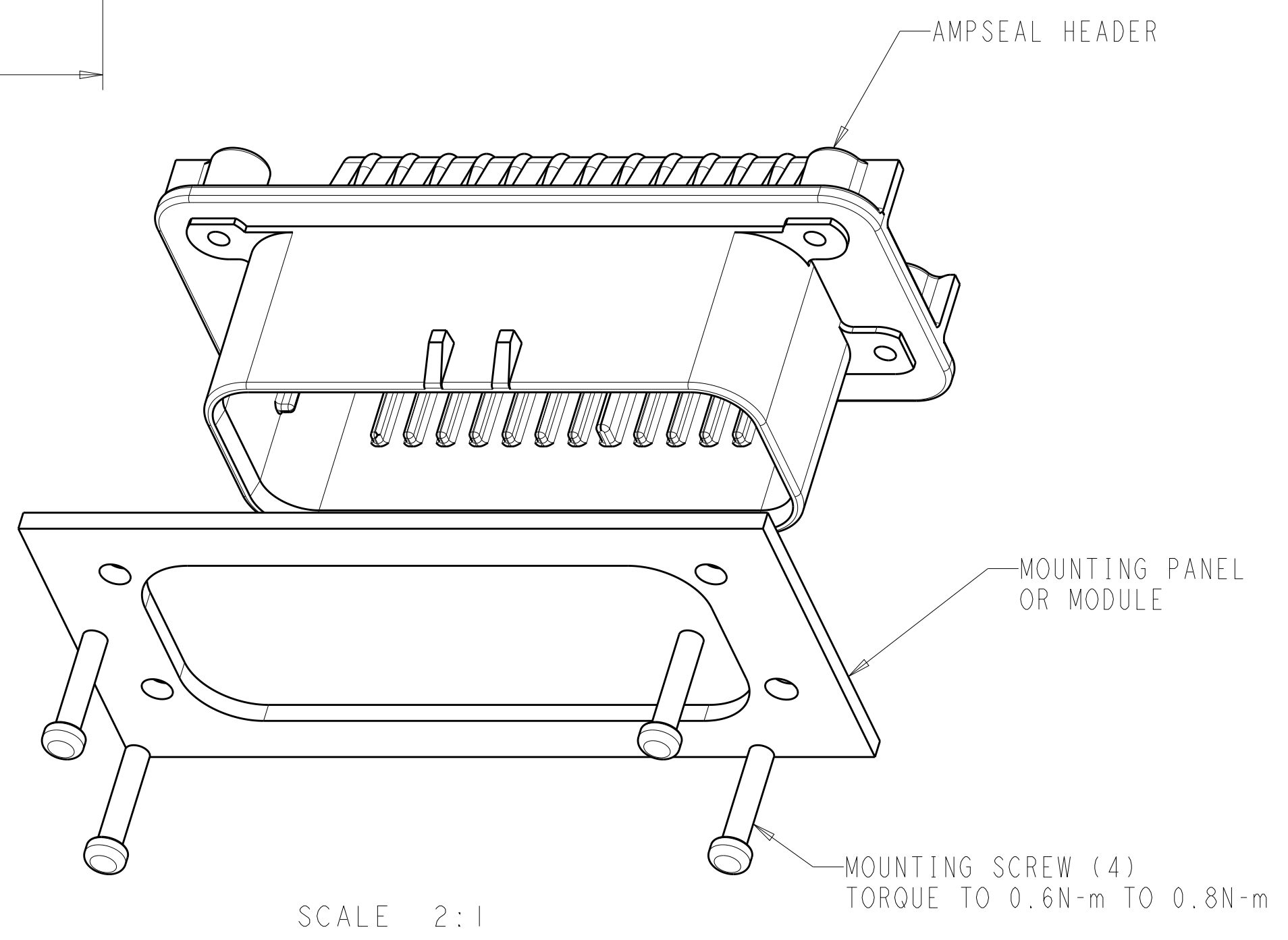
RECOMMENDED P.C. BOARD LAYOUT  
 FOR 1.57 THICK P.C. BOARD



SECTION Z-Z  
 OPTIONAL CONSTRUCTION IF  
 THICKNESS IS GREATER THAN 2.0  
 SCALE 6:1

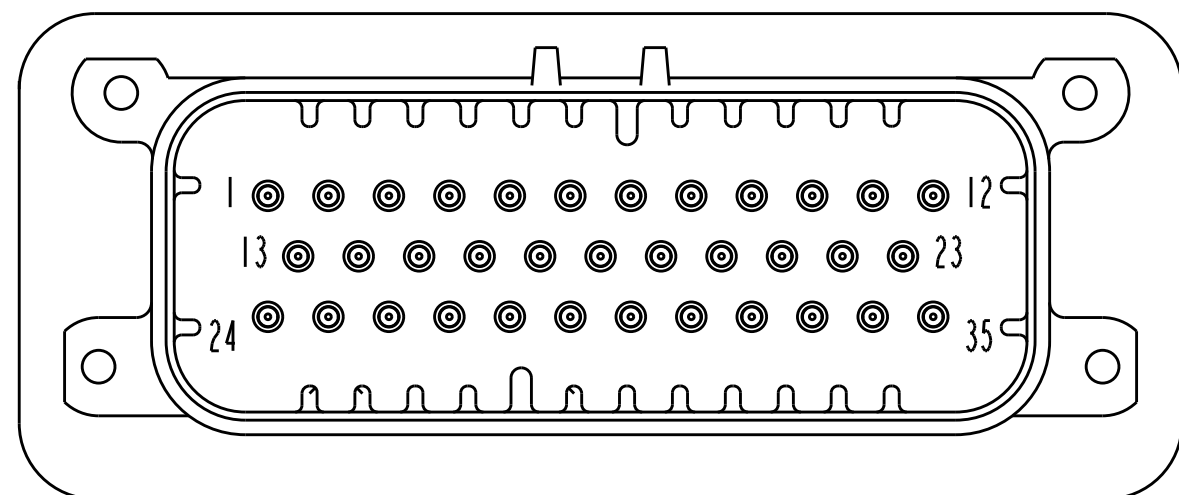


SECTION Z-Z  
 OPTIONAL CONSTRUCTION IF  
 THICKNESS IS GREATER THAN 2.0  
 SCALE 6:1

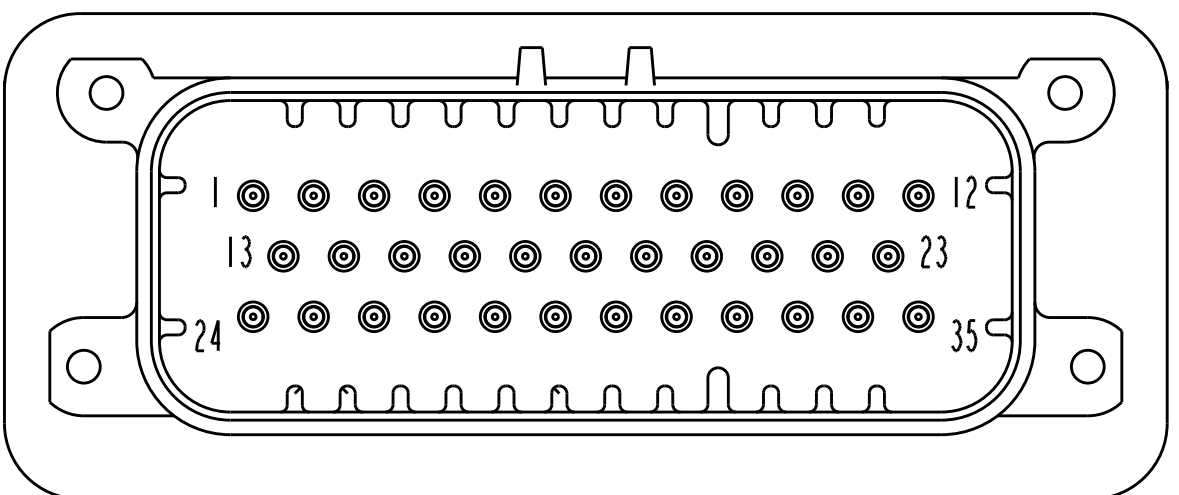


SCALE 2:1

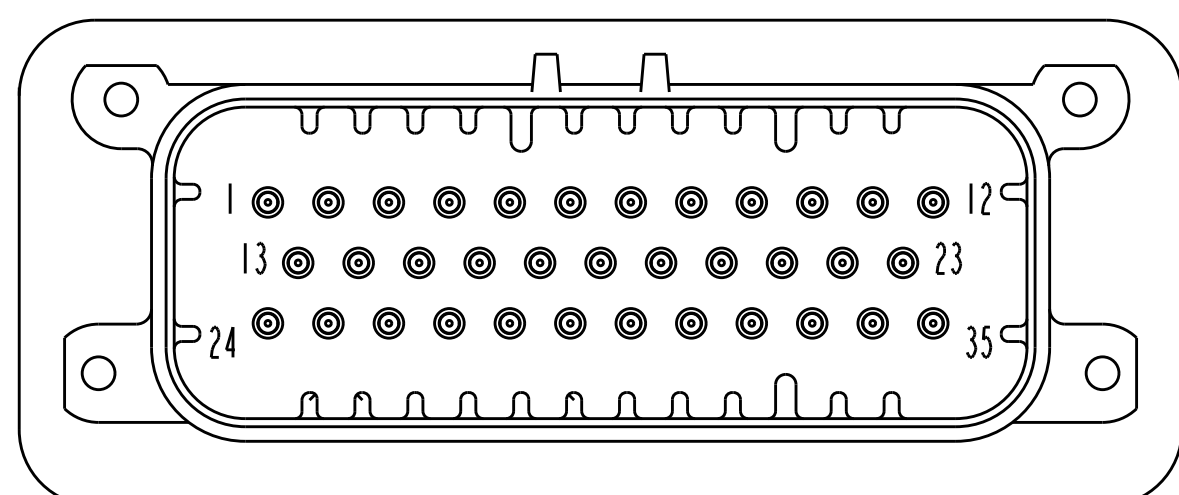
TORQUE TO 0.6N-m TO 0.8N-m



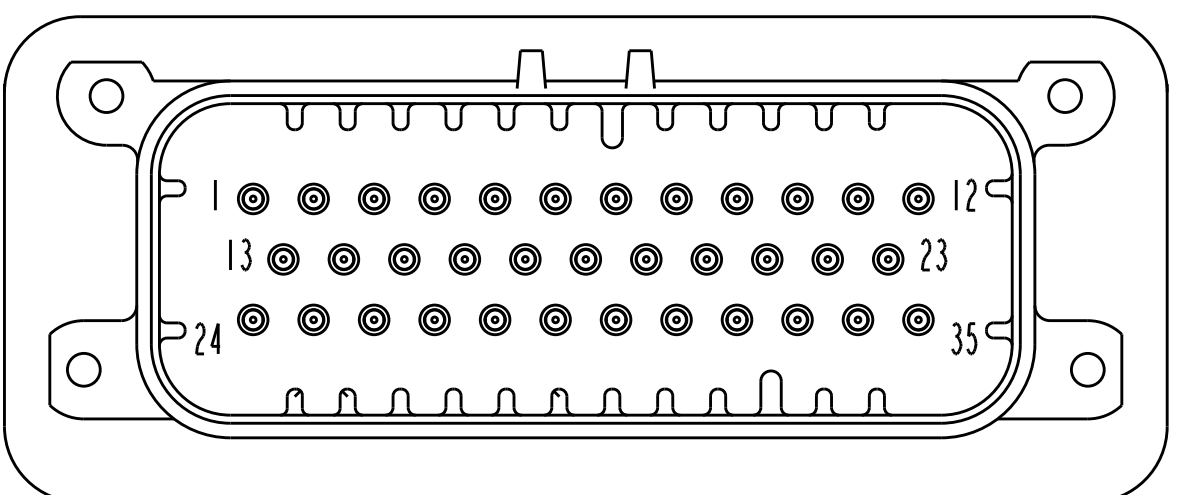
776180-2 & 1-776180-2  
 KEY LOCATION AS SHOWN  
 SCALE 2:1



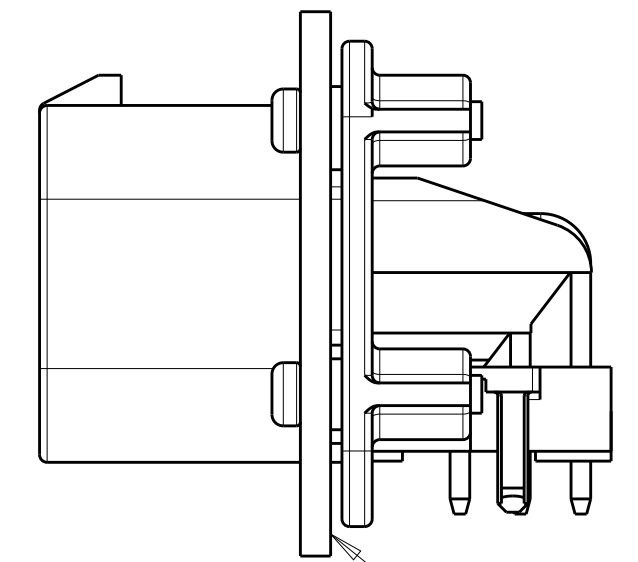
776180-4 & 1-776180-4  
 KEY LOCATION AS SHOWN  
 SCALE 2:1



776180-5 & 1-776180-5  
 KEY LOCATION AS SHOWN  
 SCALE 2:1



1-776180-6  
 KEY LOCATION AS SHOWN  
 SCALE 2:1



SCALE 2:1

ENSURE THE HEADER IS FLUSH  
 TO THE PANEL FACE ALL AROUND  
 BEFORE TIGHTENING TO FINAL TORQUE

THIS DRAWING IS A CONTROLLED DOCUMENT.		OWN R. VESTAL 31DEC2002	TE Connectivity	
DIMENSIONS:		CHK D. CROWE 31DEC2002	NAME	
mm	TOLERANCES UNLESS OTHERWISE SPECIFIED:	APVD D. CROWE 31DEC2002	PRODUCT SPEC	
0 PLC	±	PRODUCT SPEC	108-1329	
1 PLC	±0.2	APPLICATION SPEC	114-16016	
2 PLC	±	WEIGHT	A100779C=776180	
3 PLC	±	CUSTOMER DRAWING	SCALE 4:1 SHEET 2 OF 2 REV H6	
4 PLC	±			
ANGLES	±			
MATERIAL				

## X-ON Electronics

Largest Supplier of Electrical and Electronic Components

*Click to view similar products for [Automotive Connectors](#) category:*

*Click to view products by [TE Connectivity](#) manufacturer:*

Other Similar products are found below :

[003-018-000](#) [600858](#) [60403001](#) [60993906-B](#) [60993913-B](#) [629515004020001](#) [M902-2131](#) [M902-2161](#) [M902-2344](#) [72.330.1035.1](#)  
[73.353.4028.0](#) [F118010](#) [F119300-B](#) [F132210](#) [F132210-B](#) [F166900](#) [F180100](#) [F258300](#) [F258300-B](#) [F294300-B](#) [F339100](#) [F339700](#) [F358300-](#)  
[B](#) [F374110](#) [F407400](#) [F412210](#) [F427600](#) [F444110](#) [F487000](#) [F495100-B](#) [F500900-B](#) [F509500B-B](#) [770444-1](#) [776880-1](#) [827153-1](#) [881735-1](#)  
[8N1515-32-24P](#) [9-1326729-8](#) [925467-1](#) [925474-1](#) [928905-1](#) [936398-2](#) [964562-1](#) [964562-4](#) [964731-2](#) [965051-1](#) [968782-1](#) [GT17SA-8DS-](#)  
[HU](#) [GT17VS-10DP-5.2CF](#) [98315-0001](#)