

RECOMMENDED PCB LAYOUT
PCB THICKNESS: 1.6mm
TOLERANCE: ±0.05mm (TOP VIEW)

NOTE:
CAVITY CONFIRMS TO FCC RULES AND REGULATIONS PART 68, SUBPART F.

1. MATERIAL:
 - 1.1 HOUSING: PBT , WITH GLASS FIBER, UL94V-0, STANDARD COLOR-BLACK.
 - 1.2 INSERT HOUSING: PA46, WITH GLASS FIBER, UL94V-0, STANDARD COLOR-BLACK.
 - 1.3 CONTACTS: PHOSPHOR BRONZE.
 - 1.4 SHELL: BRASS.
2. FINISH:
 - 2.1 CONTACTS: GOLD PLATED ON CONTACT AREA, GOLD FLASH ON SOLDER TAIL, 1.27µm [50µ"] MIN. NICKEL UNDERPLATED OVERALL.
 - 2.2 SHELL: 0.508µm [20µ"] MIN. NICKEL PLATED.



| TOLERANCE (mm) | APPROVALS | DATE | TITLE | Amphenol Amphenol European Design Center | |
|----------------------------|-------------------|-------------|--|--|---------------------------------|
| X.X +/-0.30 | DRAWN Stephane | 05/Mar/2018 | Transformer RJ45,with shell,Side entry | Scale N.A. | Sheet 1 of 2 |
| X.XX +/-0.20 | CHECKED Rob | 05/Mar/2018 | | | |
| X.XXX +/-0.10 | APPROVED Rob | 05/Mar/2018 | | | |
| Angle +/-3° | | | | | |
| UNLESS OTHERWISE SPECIFIED | | | UNIT: mm | SIZE: A4 | Drawing No LMJ159882X110DT39 |
| | | | | | REV. B |

ELECTRICAL CHARACTERISTICS:

1. TURNS RATIO :

(P6-P5-P4): (J6-J3)
 (P3-P2-P1): (J2-J1)

:1CT:1CT ± 3%
 :1CT:1CT ± 3%

2. INDUCTANCE: (P6-P4)
 (P3-P1)

: 350uH MIN. @ 0.1V, 100KHz,8mA DC Bias
 : 350uH MIN. @ 0.1V, 100KHz,8mA DC Bias

3. LEAKAGE INDUCTANCE: P6-P4 (WITH J6 AND J3 SHORT)
 P3-P1 (WITH J2 AND J1 SHORT)

: 0.3 MAX. @ 1MHz
 : 0.3 MAX. @ 1MHz

4. INTERWINDING CAPACITANCE: (P6,P5,P4)TO(J6,J3)
 (P3,P2,P1)TO(J2,J1)

: 30pf MAX. @1MHz
 : 30pf MAX. @1MHz

5. DC RESISTANCE: (J6-J3)=(J2-J1)

: 1.2 ohms Max.

6. CROSSTALK

: -30dB MIN AT 1MHz TO 100MHz

7. INSERTION LOSS

: -1.0dB MAX AT 1MHz TO 100MHz

8 RETURN LOSS

: -20dB MIN AT 1MHz TO 30MHz

-15dB MIN AT 30MHz TO 60MHz

-10dB MIN AT 60MHz TO 80MHz

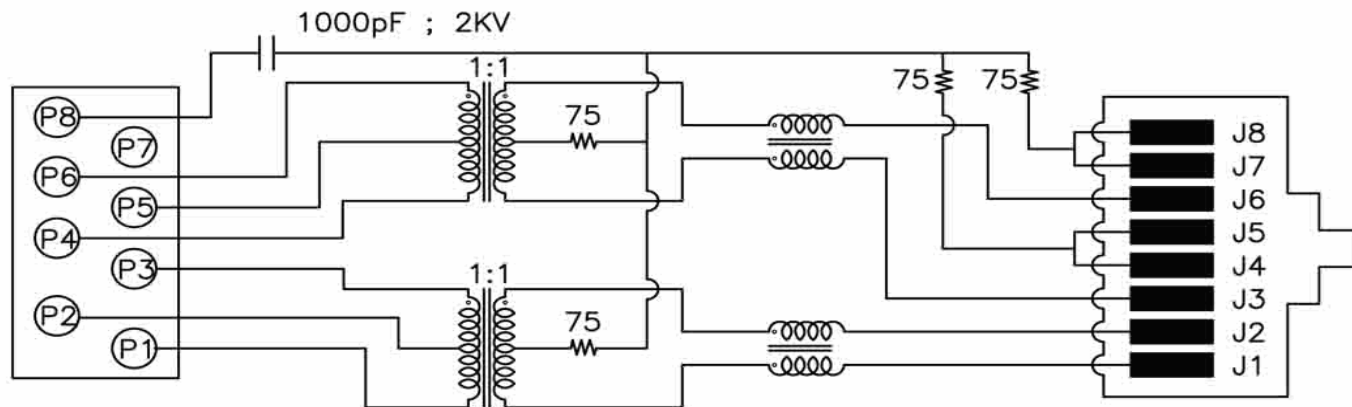
NOTES

1.0 PINS WITHOUT ELECTRICAL CONNECTION ARE OMITTED

Ordering Information
LMJ159882X110DT39
 a

a: Contact plating

- 1: 15u"gold
- 2: 30u"gold
- 3: 50u"gold
- 4: 6u"gold



| TOLERANCE (mm) | APPROVALS | DATE | TITLE | Amphenol Amphenol European Design Center | |
|----------------------------|-------------------|-------------|--|--|-------------------|
| X.X +/-0.30 | DRAWN Stephane | 05/Mar/2018 | Transformer RJ45,with shell,Side entry | Scale N.A. | Sheet 2 of 2 |
| X.XX +/-0.20 | CHECKED Rob | 05/Mar/2018 | | | |
| X.XXX +/-0.10 | APPROVED Rob | 05/Mar/2018 | | | |
| Angle +/-3° | | | | | |
| UNLESS OTHERWISE SPECIFIED | | UNIT: mm | SIZE: A4 | Drawing No | LMJ159882X110DT39 |
| | | | | | REV. B |

X-ON Electronics

Largest Supplier of Electrical and Electronic Components

Click to view similar products for [Modular Connectors](#) / [Ethernet Connectors](#) category:

Click to view products by [Amphenol](#) manufacturer:

Other Similar products are found below :

[RJE231881317T](#) [MP1010RX-1000](#) [MP44RX-1000](#) [GAX-3-66](#) [GAX-8-62](#) [93606-0253](#) [GD-A-44](#) [GDCX-PA-66-50](#) [GDCX-PN-64](#) [GDCX-PN-66](#) [GDCX-PN-66-50](#) [GDLX-A-66](#) [GDLX-A-88](#) [GDLX-N-66](#) [GDLX-S-88K](#) [GDTX-S-88-50](#) [GDX-PA-1010](#) [GLX-N-1010M-BLK](#) [GLX-N-44M](#) [GLX-S-88M-BLK](#) [GMX-N-1010](#) [GMX-S-1010](#) [GMX-S-66](#) [GMX-SMT2-N-1010](#) [GMX-SMT2-N-64-50](#) [GMX-SMT2-S6-88](#) [GMX-SMT4-N-88](#) [GPX-2-64](#) [GRT1-BT1-5](#) [GSGX-N-2-88](#) [GSX-NS2-88-3.05](#) [GSX-NS2-88-3.05-50](#) [GSX-NS-88-3.05-30](#) [GSX-NS-88-3.05-50](#) [GSX-NS-88-3.68](#) [1-1775629-2](#) [GWLX-S-88-GR](#) [GWLX-S9-88-YG](#) [1300500326](#) [1300500227](#) [1300530003](#) [1300570002](#) [1324640-4](#) [RJ11FTVC2G](#) [RJ11FTVC2N](#) [RJFTVX2SA1G](#) [132764-001](#) [1400000](#) [1413176](#) [1413235](#)